



p0004803

Dampers up to approx. 1.5 m²

Open/Close actuator (AC/DC 24 V)

Reversible

Improved functional safety

The damper actuator has no limit switches and is overload-proof. It stops automatically when it reaches the damper or actuator end stop.

Easy functional check

A functional check of damper operation is simplicity itself: the gearing can be disengaged by simply pressing a pushbutton on top of the case. While the pushbutton remains depressed, the damper can be operated by hand.

Simple installation

The damper actuator is fitted with a universal spindle clamp for quick and easy mounting directly on the damper spindle. The actuator is supplied with an anti-rotation strap for fixing it in position.

Electrical accessories

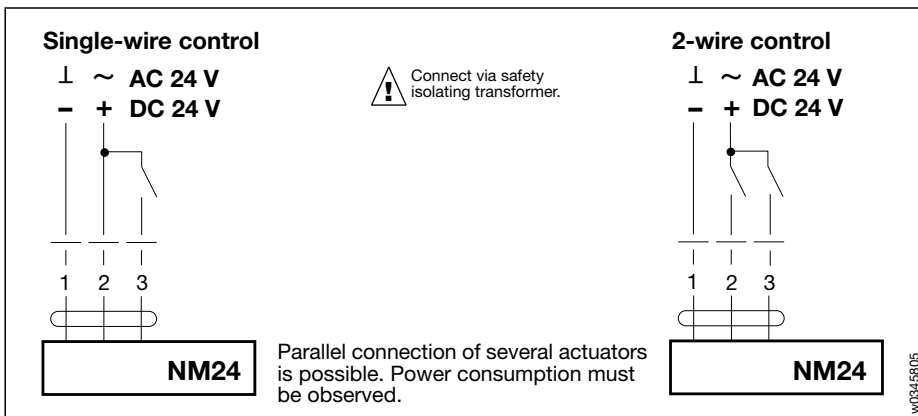
SN1, SN2 Auxiliary switches, page 9

Mounting instructions, page 10

Important

Read the notes about the use and torque requirements of the damper actuators on page 3.

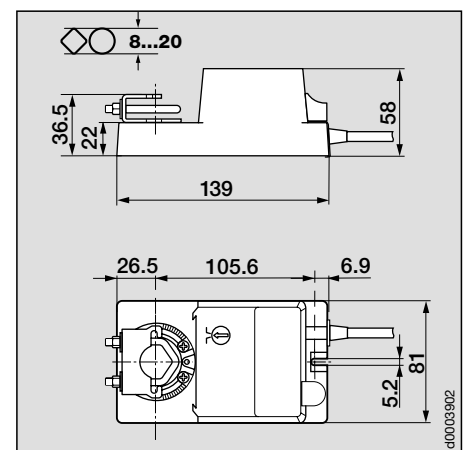
Wiring diagram



w0345805

Technical data	NM24
Nominal voltage	AC 24 V 50/60 Hz, DC 24 V
Nominal voltage range	AC/DC 19.2...28.8 V
For wire sizing	3.5 VA
Power consumption	2 W
Connecting cable	1 m long, 3×0.75 mm ²
Direction of rotation	selected with L/R switch
Torque	min. 8 Nm (at rated voltage)
Angle of rotation	max. 95° (adjustable by mechanical stops)
Running time	75...150 s (0...8 Nm)
Sound power level	max. 35 dB (A)
Position indication	mechanical
Protection class	⚡ (safety low voltage)
Degree of protection	IP 54 (bottom cable entry)
Ambient temperature range	-20... +50 °C
Non-operating temperature	-40... +80 °C
Humidity test	to EN 60335-1
EMC	CE according to 89/336/EEC, 92/31/EEC, 93/68/EEC
Maintenance	maintenance free
Weight	800 g

Dimensions



d0003902