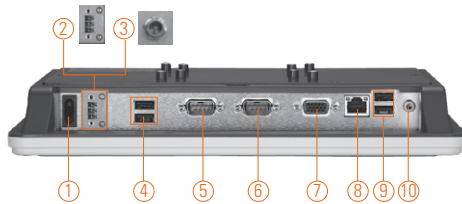


GOT-5100T-830

10.4" SVGA TFT Fanless Touch Panel Computer with Intel® Atom™ Processor N270



- | | |
|--|----------------------|
| 1. Power switch (ATX) | 6. COM 2 (RS-232) |
| 2. Terminal block for DC power input or 3. Screw conn. w/ AC power adapter | 7. VGA |
| 4. USB 2.0 x 2 | 8. Ethernet |
| 5. COM 1 (RS-232/422/485) | 9. USB 2.0 x 2 |
| | 10. Audio (Line-out) |



Fanless Low Power DualView

Introduction

The GOT-5100T-830 is a 10.4" Intel® Atom™-based fanless touch panel computer. In response to market demand, this panel computer is a cost effective solution. It adopts a modern, super sleek and fanless design and is equipped with a 10.4" TFT LCD as well as Intel® Atom™ processor N270 1.6 GHz. For wireless network connection, the GOT-5100T-830 offers a mini card slot. By just plugging in the mini card WLAN card, customers can have instant access to wireless LAN/GPRS/ GSM/3G environments. Besides, it provides two types of power input. One is DC power input (10~30VDC) with terminal block connector. The other is AC power adapter with screw type connector.

Super slim & ultra light design

The GOT-5100T-830 is a super slim touch panel computer for space-limited environment with its thickness of 45mm and weight of 1.8 kg only, which make it installed everywhere.

Built-in internal WLAN antenna

The GOT-5100T-830 provides a mini card slot and a built-in WLAN antenna for wireless network connections. By simply plugging in the wireless LAN card, customers can use the GOT-5100T-830 in a wireless LAN/GPRS/GSM /3G environments.

Excellent thermal solution: aluminum back chassis

With Axiomtek's patent for plastic plus aluminum mechanism design, the GOT-5100T-830 can dissipate the heat easily and keep the system operation stable.

Features

- 10.4" SVGA (800 x 600) color TFT LCD display
- Fanless cooling system with Intel® Atom™ processor N270 1.6 GHz
- Ultra slim design: thickness 45mm
- Super light weight: 1.8 kg
- Easy for expansion: PCIe Mini card
- Supports panel mount, wall mount, VESA arm, desktop stand (optional)
- Supports RFID (optional)
- Over-current protection fuse



▲ Side view



▲ Desktop stand

Specifications

Front Bezel	IP65, NEMA 4 rugged protection, plastic front bezel	
LCD Panel	Display Type	10.4" SVGA TFT LCD
	Brightness (cd/m ²)	230/400 nits
	Resolution	800 x 600
	Viewing Angel (H/V)	140° /120°
Main System	CPU	Intel® Atom™ processor N270 1.6 GHz
	Chipset	Intel® 945GSE + ICH7M
	System Memory	1 x 200-pin DDR2 SO-DIMM max. up to 2 GB
	BIOS	AMI 8 Mbit with RPL/PXE LAN boot ROM
	Storage	1 x 2.5" SATA HDD 1 x CompactFlash™
	Watchdog Timer	255 levels, 0~255 sec.
	Onboard Graphics	Integrated in Intel® 945GSE
	BIOS	AMI 8 Mbit with RPL/PXE LAN boot ROM
Storage	1 x 2.5" SATA HDD 1 x CompactFlash™	
Watchdog Timer	255 levels, 0~255 sec.	
Onboard Graphics	Integrated in Intel® 945GSE	

* All specifications and photos are subject to change without notice.

Specifications

I/O Connector	1 x RS-232 (COM 2) 1 x RS-232/422/485 (COM 1) 4 x USB 2.0 1 x 10/100/1000Mbps Ethernet 1 x Audio (Line-out) 1 x VGA
Expansion Interface	1 x PCIe Mini Card
Touchscreen	Resistive type
Power Input	1. DC version: 10~30VDC with over-current protection fuse 2. AC version: 100-240V AC-DC 60W power adapter
Dimensions	292.5 mm (11.52") (W) x 45.8 mm (1.80") (D) x 235.8 mm (9.28") (H)
Packing Dimensions	415 mm (16.34") (W) x 100 mm (3.94") (D) x 315 mm (12.4") (H)
Weight (net/gross)	1.8 kg (3.96 lb)/3 kg (6.61 lb)
Environment	Operating temperature: 0° ~ +50°C (32°F ~ 122°F) (with W.T. DRAM/HDD in airflow condition) 0° ~ +45°C (32°F ~ 113°F) (with W.T. DRAM/HDD) Storage Temperature: -30°C ~ +80°C (-22°F ~ +176°F) Relative humidity: 10% ~ 95% @ 40°C; non-condensing Operation vibration: 2G, 5-500Hz, random for CompactFlash
Certification	CE-EMC Class A (GOT-5100T-830) CE-EMC Class B, UL60950-1 (GOT-5100T-830-J)

Ordering Information

GOT-5100T-830	10.4" SVGA Intel® Atom™ N270 fanless touch panel computer with terminal block connector
GOT-5100T-830-J	10.4" SVGA Intel® Atom™ N270 fanless touch panel computer with screw type connector & AC-DC 60W power adapter
GOT-5100T-830 V1	10.4" SVGA 400 nits high brightness fanless touch panel computer
E225840102	Desktop stand
Wireless kit	802.11 b/g wireless LAN kit

* Specification and certifications are based on options and may vary.

Optional EOS Installation

Windows® XP Embedded
Windows® CE.NET

Optional OS Installation

Windows® XP

Overview

Industrial Panel Computers & Monitors

Heavy-duty Fanless Touch Panel Computers

Digital Signage Solutions

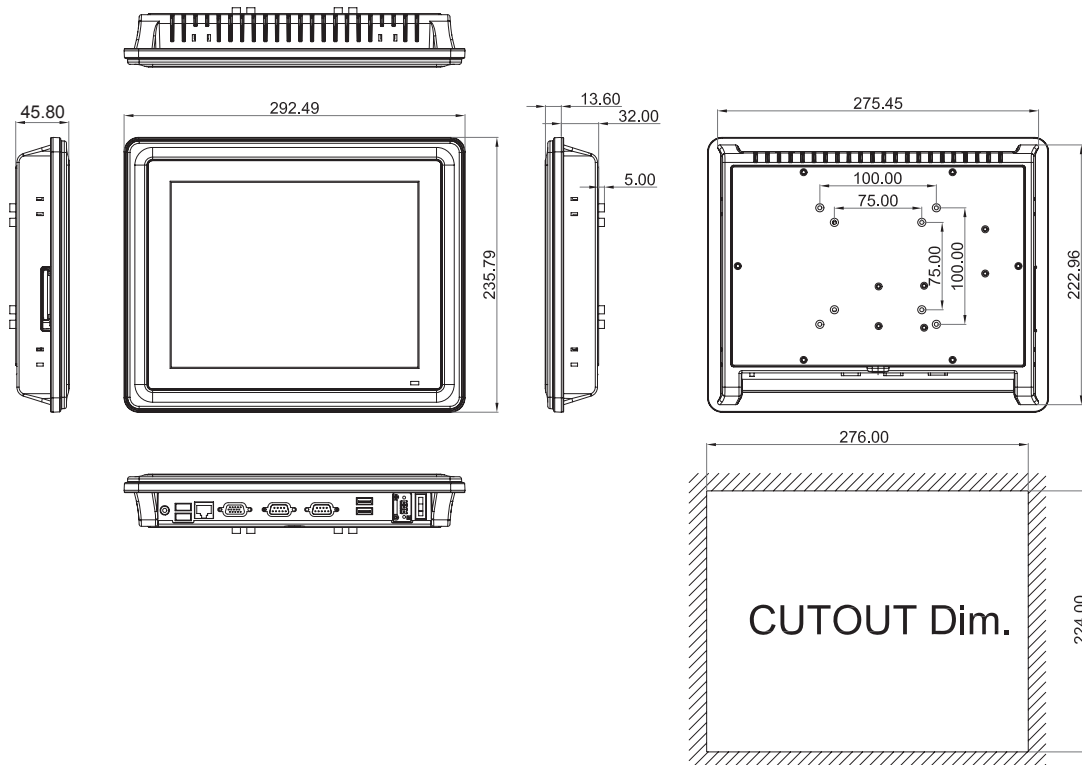
Healthcare & Medical Solutions

Open Frame Panel Computers

Accessories



Dimensions



Mouser Electronics

Authorized Distributor

Click to View Pricing, Inventory, Delivery & Lifecycle Information:

[Axiomtek:](#)

[GOT-5100T-830](#)