

N30

Supervisory Controller



N30 Supervisory Controller

Description

The N30 Supervisory Controller is designed to monitor and supervise Heating, Ventilating, and Air Conditioning (HVAC) equipment as well as lighting, security, and building access. The N30 efficiently supervises the networking of Application Specific Controllers (ASCs) and provides building automation features including time scheduling, alarm management, controller data exchange, energy management, and remote communications. Equipment is operated at peak efficiency while maintaining optimum occupant comfort.

Facility personnel can review the system status and modify control parameters for the N30 Supervisory Controller and its associated ASCs using a VT100 Terminal, VT100 Terminal Emulator, M-Series Workstation, or the Local Display Terminal (LDT).

Features

- built-in energy management features such as Demand Limiting and Load Rolling (DLLR) and Optimal Start (OST)
- network-wide interlocking to support integrated control between distributed controllers
- peer-to-peer communication (with network card) to provide direct communication between N30s using BACnet® protocol
- dial in - dial out to allow access to/from remote sites
- local user interface such as Local Display Terminal or VT100 Terminal allows local access to controller data and adjustment of operating conditions
- single seat user interface, M-Series Workstation, allows operator to review entire system
- password protection to allow system access to be tailored to the level needed by various operators

Specifications

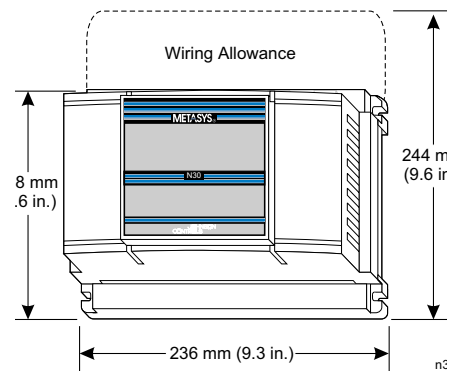
N30 Supervisory Controller	
Power	Nominal 24 VAC +/- 10% at 50/60 Hz
Recommended Local Terminal	VT-100 Class Terminal or PC with VT-100 Emulation Software
Ambient Operating Conditions	0 to 50°C (32 to 122°F); 10 to 90 % RH 30°C (86°F) maximum dew point
Ambient Storage Conditions	-30 to 70°C (-22 to 158°F) ; 5 to 90 % RH 30°C (86°F) maximum dew point
Dimensions (H x W x D)	N30: 64 x 168 x 236 mm (2.5 x 6.6 x 9.3 in.) LDT (optional): 108 x 108 x 27 mm (4.25 x 4.25 x 1.07 in.)
Shipping Weight	N30: Approximately 0.68 kg (1.5 lb) N30 with LDT: Approximately 0.87 kg (1.93 lb) LDT (cable included): Approximately 0.19 kg (0.43 lb)
Agency Compliance	UL Listed, CSA Certified CE Mark, and C-Tick Directive, UL 916, CSA C222.2 No. 205, CFR47 FCC Part 15 Class A, CE Directive 89/336/EEC (EN50081/1, EN50082/1)
Accessories	M-Series Workstation Release 5.0 or later M-Tool Release 5.0 or later

To Order

Specify the code number from the following selection chart.

Selection Chart

Code Number	Description
MS-N301010-1	Supervisory controller, base unit with N2 field bus
MS-N301012-1	Supervisory controller, base unit with N2 field bus, and Local Display Terminal (LDT)
MS-N301310-1	Supervisory controller, base unit with N2 field bus and Ethernet peer bus
MS-N301312-1	Supervisory controller, base unit with N2 field bus, Ethernet peer bus, and Local Display Terminal (LDT)



Dimensions

Accessories

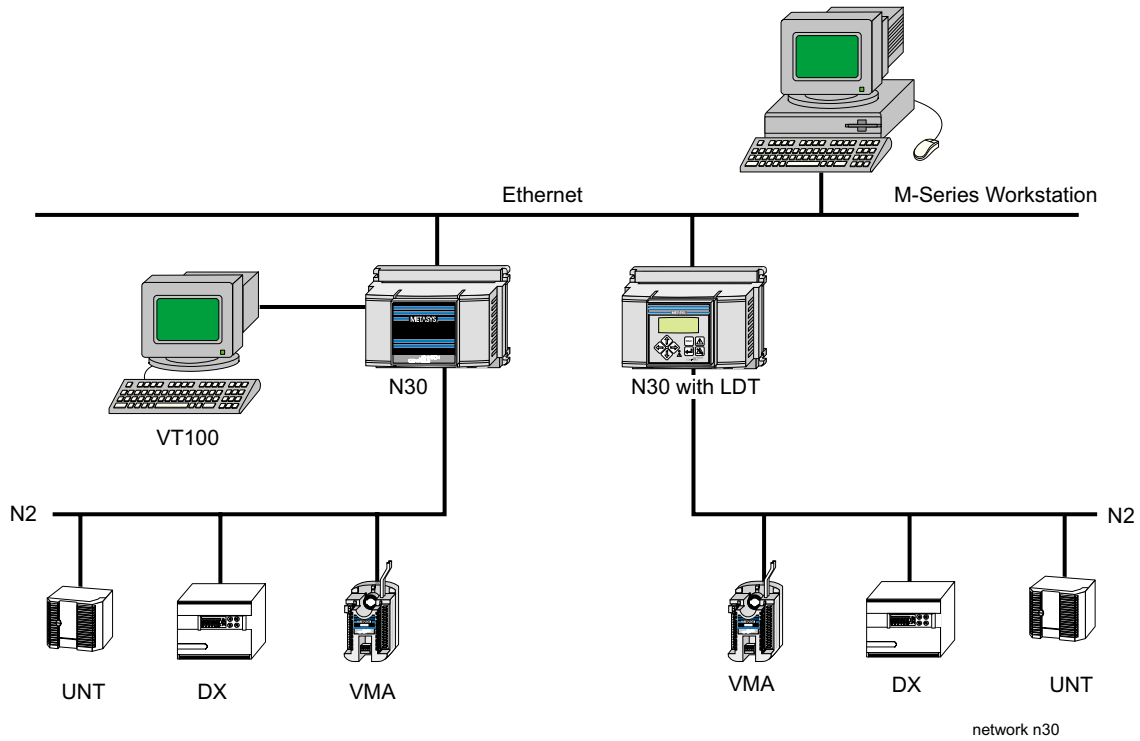
Code Number	Description
MS-NET 1300-0	Ethernet Communication card for N30 unit
MW-MTOOL-0	Programming toolset for N30 and related ASC controllers (Replaces Configuration Tools). Includes M-Tool Computer Based Training
MW-MTOOL-6	Upgrade to Programming toolset for N30 and related ASC controllers (Replaces Configuration Tools). Includes M-Tool Computer Based Training
MW-MTCBT-0	M-Tool Computer Based Training package
MS-LDT1102-0	LDT Upgrade kit for N30 (cable included)

Repair Parts

Code Number	Description
MS-N301010-701	Repair unit -- Supervisory controller, base unit with N2 field bus
MS-N301012-701	Repair unit -- Supervisory controller, base unit with N2 field bus, and Local Display Terminal
MS-N301310-701	Repair unit -- Supervisory controller, base unit with N2 field bus and Ethernet peer bus
MS-N301312-701	Repair unit -- Supervisory controller, base unit with N2 field bus, Ethernet peer bus, and Local Display Terminal

N30 Supervisory Controller (Continued)

Applications



N30 Network Example