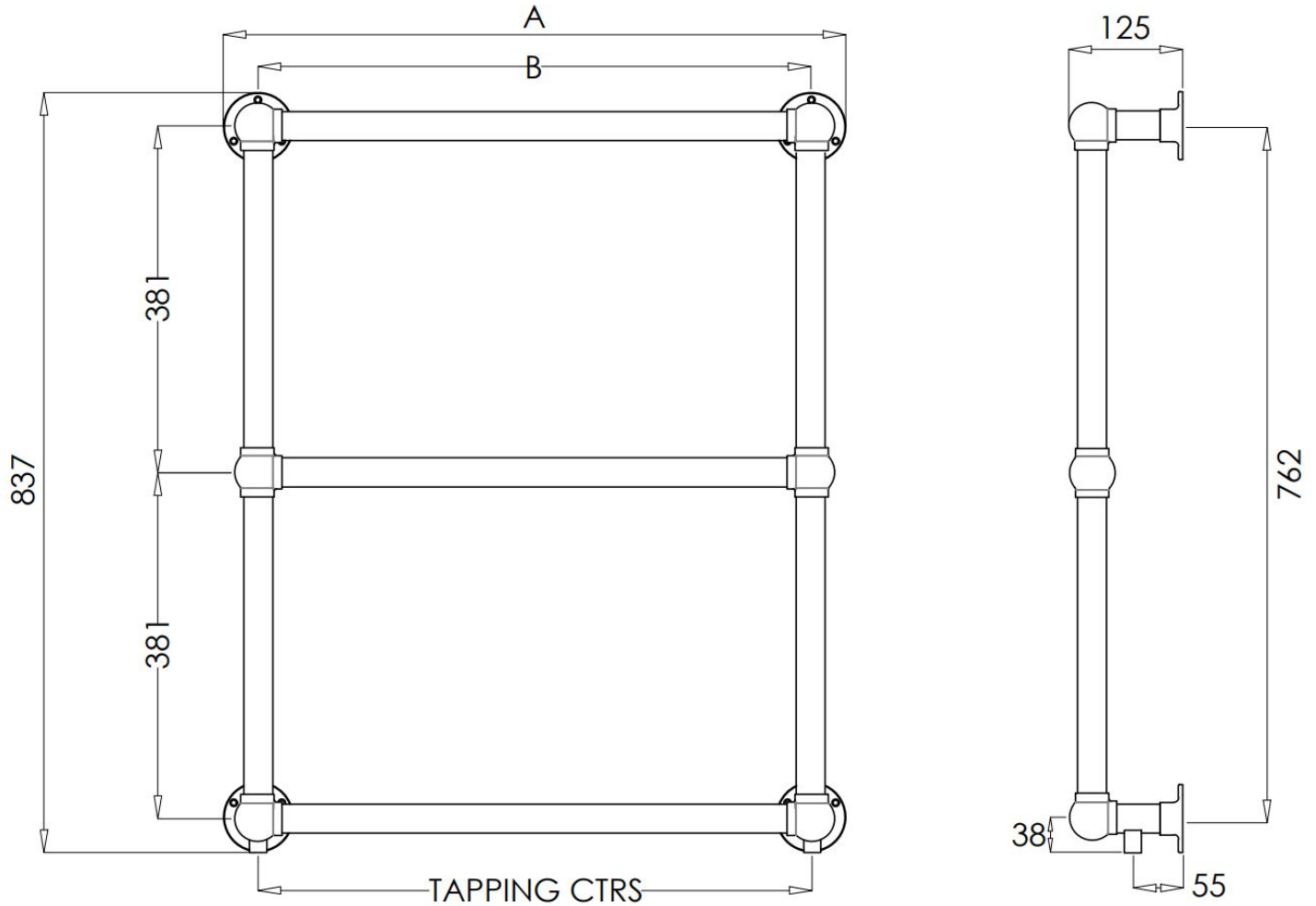


Please note for bespoke sizes please contact our Design Team on +44 (0) 2392 796633



Dimensions. A.	Centres. B.	Tapping ctrs.	BTU's.	Wattage.
685mm	610mm	610mm	597	175
837mm	762mm	762mm	676	198
989mm	914mm	914mm	754	221

P4 Ball Jointed Range.	
P4.4	837 x 685
P4.5	837 x 837
P4.6	837 x 989

**Test Pressure:** 8 bar.  
**Max. Working Pressure:** 5 bar.  
**Max. Working Temperature:** 85°C.  
**Material:** 32mm DZR Brass.  
**Connections:** ½" BSP.  
**Joints:** Hand Brazed Silver Solder.  
**Finish:** Hand Polished.  
**Plated To:** British Standards.  
**Leak Tested:** 3 Times.  
**Heat Output:** In accordance with EN442.

To be installed by a suitably qualified professional in accordance with local water byelaws.  
 Our Towel Warmers are suitable for:  
 Most Central Heating Systems.  
 Hot Water Systems. **(unsuitable for use with column radiator inserts)**  
 Dual Fuel Systems.  
 Electric only.  
**Please confirm with your installer/contractor that there is not a water softener fitted on the system prior to installation.**  
**All dimensions are subject to +/- 3 mm tolerance.**