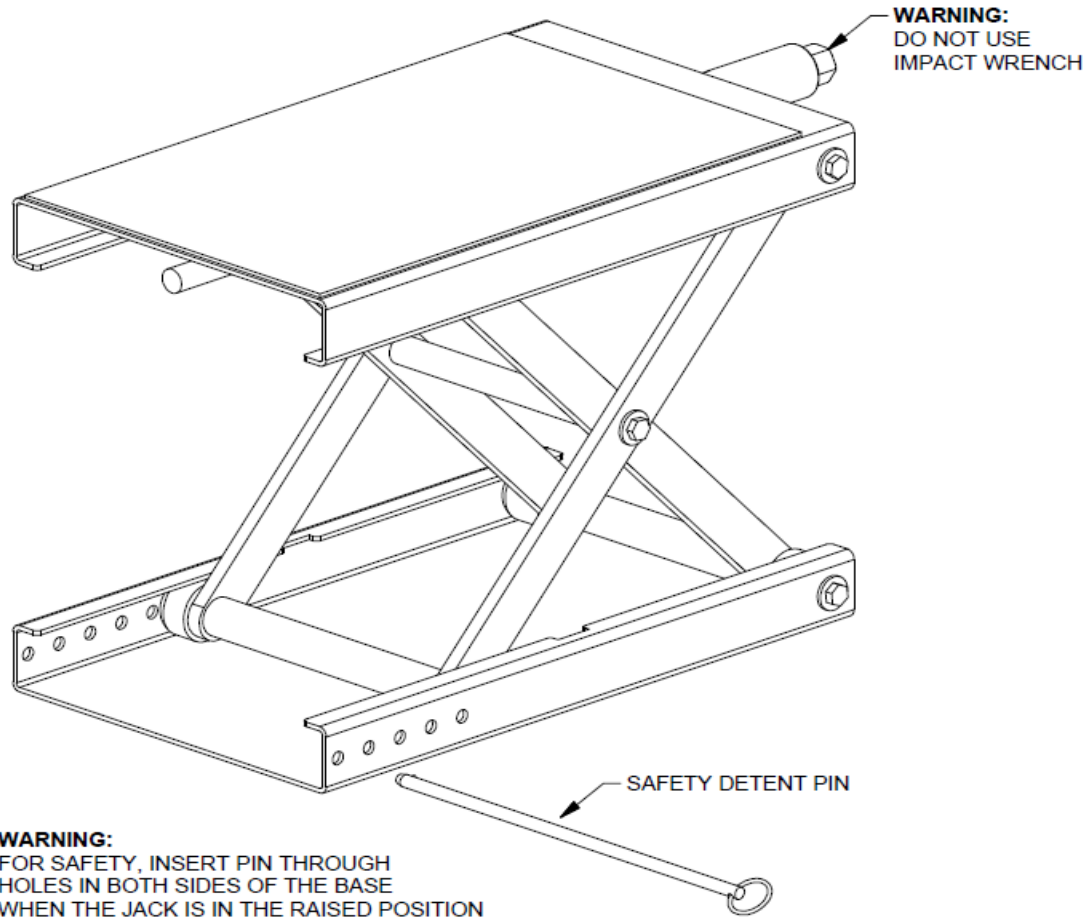




# LO-BOY SCISSOR JACK

## ITEM # 16999



**▲ Loads must be centered on jack at all times. 750 lb. maximum.**

### **HANDY LIMITED WARRANTY**

Handy, Division of Janco Industries, Inc. warrants to the original purchaser of this product, all parts to be free from defects in manufacture for a period of one (1) year from date of delivery. Notice of a defective part must be received in writing at Handy Division of Janco Industries, Inc. within one (1) year of purchase. All defective parts must be returned to Handy Industries and which, upon our examination any parts which are defective in manufacture or workmanship, will be replaced or put in good operating condition. This warranty does not apply to damage resulting from accident, improper installation, repair, operation or maintenance, negligence or neglect. THE COST OF SUCH REPLACEMENT OR REPAIR SHALL BE EXCLUSIVE REMEDY FOR ANY BREACH OF ANY WARRANTY AND HANDY INDUSTRIES SHALL NOT BE LIABLE TO ANY PERSON FOR CONSEQUENTIAL DAMAGE, OR INJURY, OR COMMERCIAL LOSS RESULTING FROM ANY BREACH OF WARRANTY. HANDY INDUSTRIES MAKES NO WARRANTY OR MERCHANTABILITY, MAKES NO WARRANTY OF FITNESS FOR A PARTICULAR PURPOSE AND MAKES NO OTHER WARRANTY EXPRESSED OR IMPLIED, INCLUDING IMPLIED WARRANTY ARISING FROM THE COURSE OR DEALING OR USAGE OF THE TRADE.



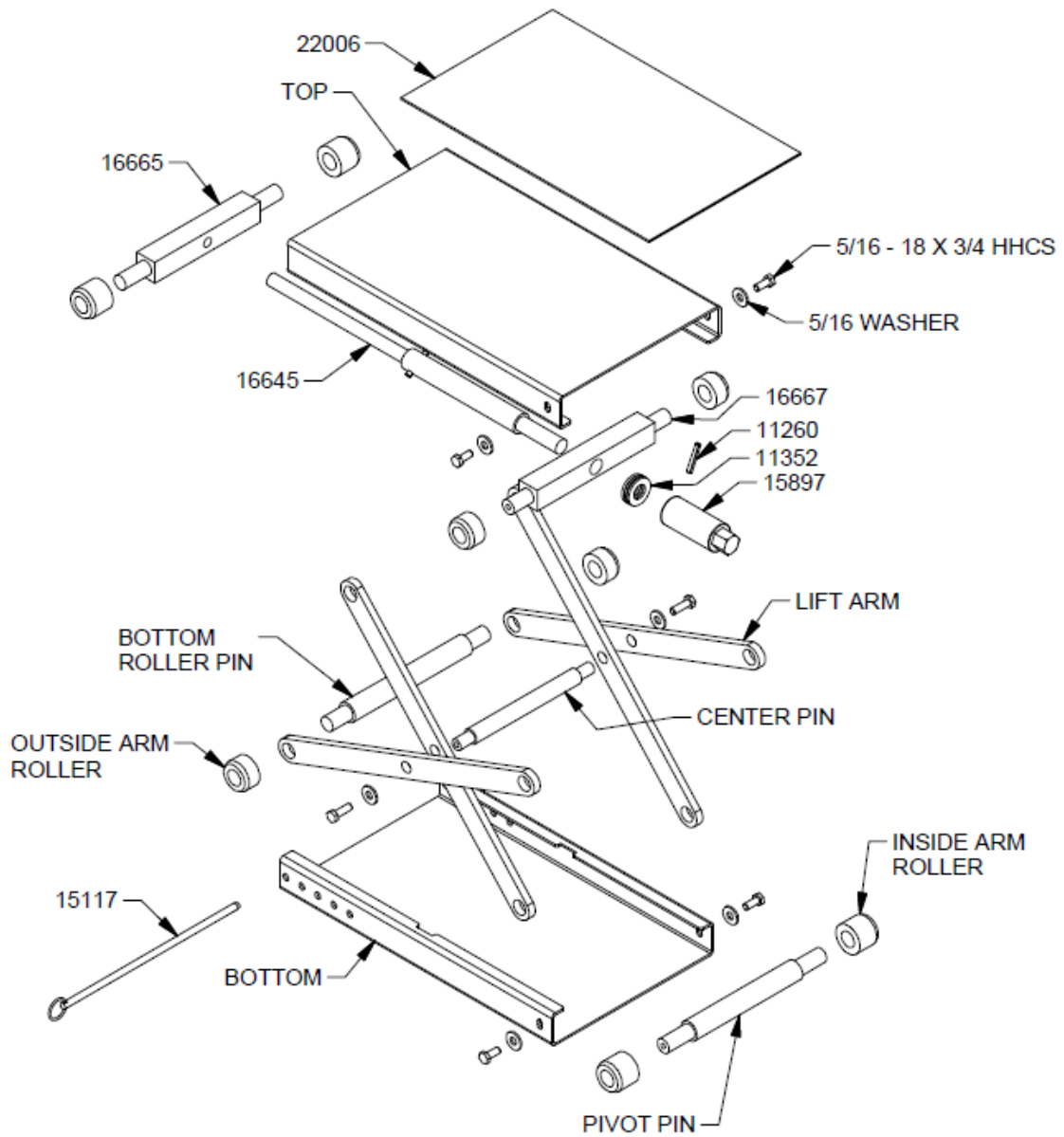
**THE CARLSON COMPANY**  
*Your Source For Professional Service Equipment*

800-222-6199 • 949-768-3333 • Fax 949-768-3336

[www.TheCarlsonCompany.com](http://www.TheCarlsonCompany.com)

# LO-BOY SCISSOR JACK

## REPLACEMENT PARTS



QTY	PART No.	DESCRIPTION
1	11260	3/16 ROLL PIN
1	11352	THRUST BEARING
1	15117	DETENT PIN
1	15897	DRIVE SCREW HEX
1	16645	SCREW WELD ASSEMBLY
1	16665	UPPER ROLLER BLOCK
1	16667	SCREW SUPPORT BLOCK
1	22006	RUBBER PAD