



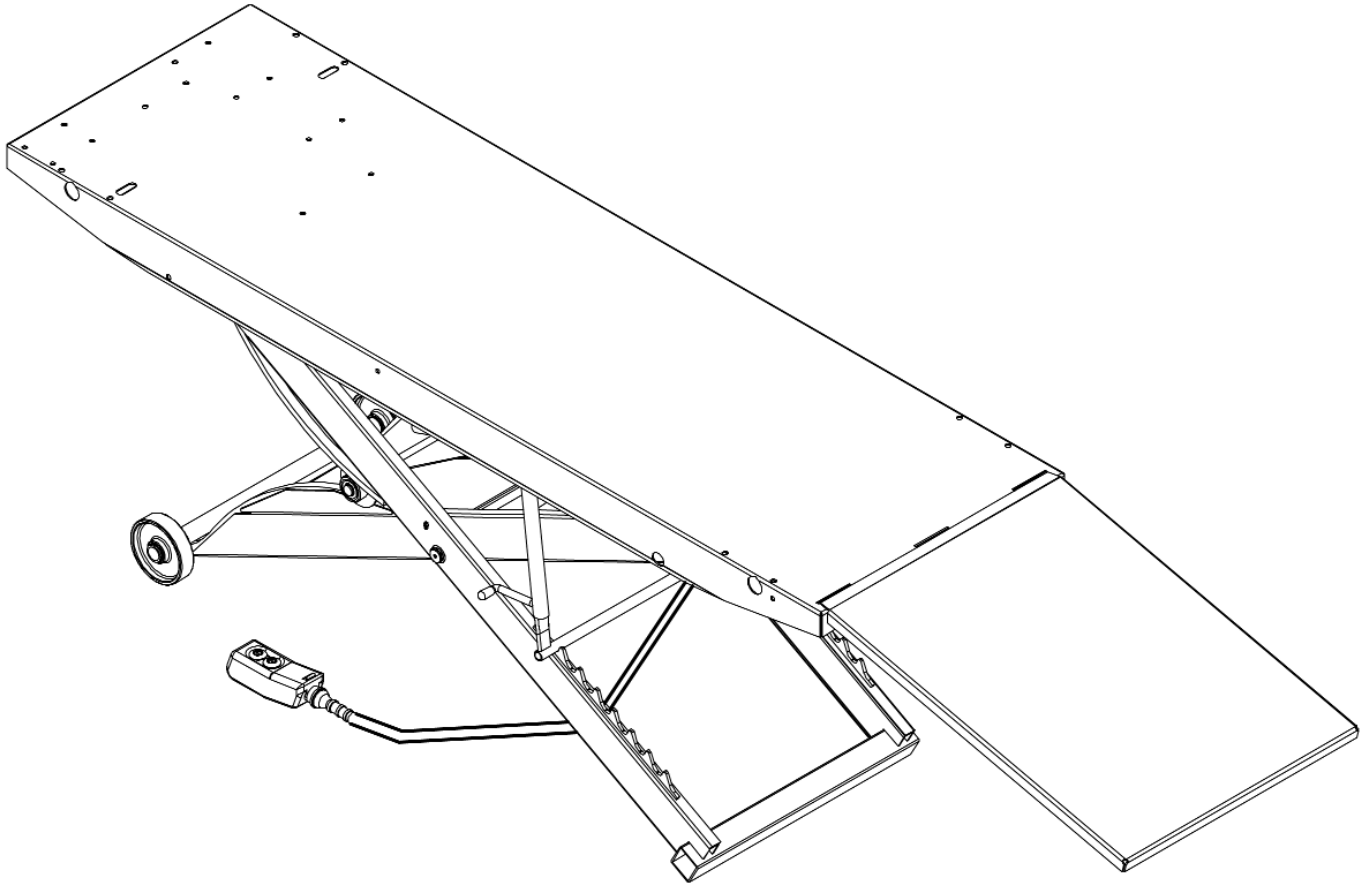
STANDARD ELECTRIC LIFT

WITH PUSHBUTTON CONTROL

P/N 10742G - 10742O - 10742R - 10742B

● INSTRUCTIONS ● PARTS DRAWING ● PARTS LIST

WARNING: READ INSTRUCTIONS BEFORE OPERATING



1. This is for the operation on a 115 volt, 60 Hz. circuit only.
2. Do not remove ground prong from plug.
3. Center load on table - 1000 lb. maximum.
4. Keep hands and tools from under carriage.
5. Do not mount table when in elevated position.
6. Do not ride vehicle onto lift.
7. Lift must be in the lowered position when moving.
8. Only trained persons should operate Electric Lift.
9. The working area should be sufficiently lit.
10. Recommended for indoor use only.
11. Tie-down straps must be used in conjunction with the holes provided in the lift top.

STANDARD ELECTRIC LIFT



NOTE: THIS SYMBOL MEANS WARNING OR CAUTION: DEATH, PERSONAL INJURY AND/OR PROPERTY DAMAGE MAY OCCUR UNLESS INSTRUCTIONS ARE FOLLOWED CAREFULLY. READ ENTIRE



POWER SUPPLY

This lift is for operation on 115 volt, 60 Hz current only. Check outlet voltage before plugging in equipment.

- ➔ **WARNING:** This lift is equipped with a 3-prong plug which must be plugged into a grounded 115 volt, 60 Hz power supply for your safety. Removing ground prong from plug or failure to plug into a grounded receptacle may result in a fatal electric shock.

UNPACKING AND SET-UP

1. Open carton, then remove ramp and shipping boards.
2. Keeping hands free of lift mechanisms to avoid personal injury-CAREFULLY turn left over.
3. Mount ramp to lift top by inserting ramp tabs into slots on lift top.

NOTE: If cycle vise is being installed, ramp must be mounted opposite the cycle vise.

OPERATION-LUBRICATION



1. Loads must be centered on table at all times.
2. Loads must be firmly positioned on table at all times. Tie-down straps must be used in conjunction with the holes provided in the lift top.
3. All moving parts have been lubricated at the factory and should be re-lubricated occasionally to prevent galling. Grease zerks are located at each end of frame pivot shaft and at top ends of inside frame assembly.
4. The drive screw, motor and gear box were factory lubricated, and this lubrication should last for the life of the lift. Should re-lubrication be necessary, use a No. 9 multi-purpose gear oil in gear box and an "O" grade gear grease on drive screw.
5. Frame/motor pivot shaft set screws should be checked frequently to be sure they are tight. These are located at the top of the inside frame.

INSTALLING

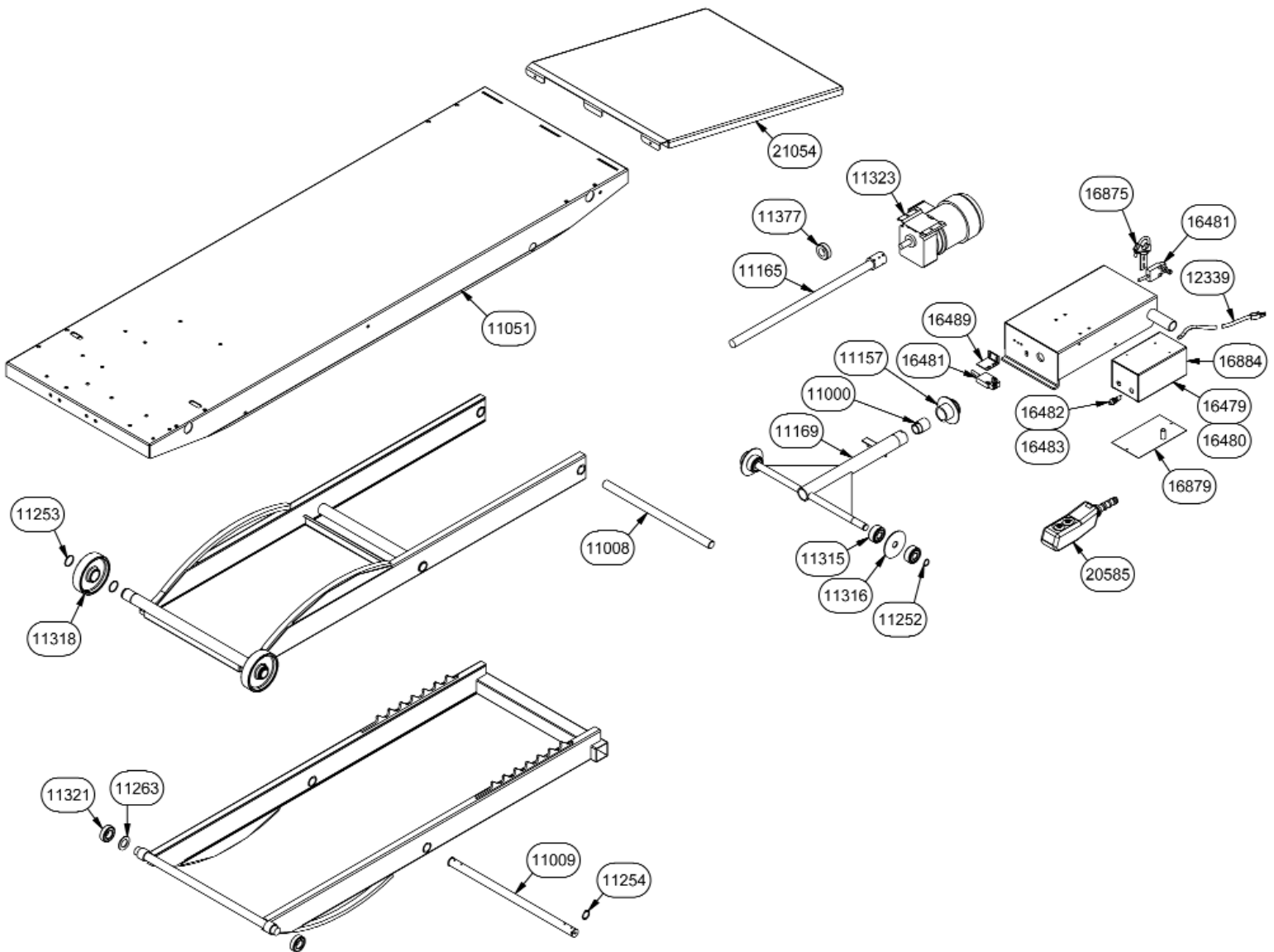
The drive train components have been burnished in to give a tight, well working fit and will be stiff for the first few cycles. If drive screw should seize, put a few drops of oil on screw and reverse a few times. If motor should pull down or hum, **TURN OFF IMMEDIATELY.** Check to see if drive screw is free.

Other Options Available

Separate installation instructions included with each option

PART #	DESCRIPTION
14476	CV-17 CYCLE VISE - Vise with removable wheel stop built into vise
10728	12" SIDE EXTENSIONS (2) - Expands width of lift from 24" to 48" includes stabilizer bar
16011	13" FRONT EXTENSION - Extends lift top to 93" for longer wheel base motorcycles
10736	13" REAR EXTENSION - Extends lift top to 93" for longer wheel base motorcycles
15566	RAMP END EXTENSIONS - Attaches to end of lift ramp for a more gradual incline to prevent bigger bikes from dragging bottom.
10737	SNOWMOBILE WING KIT - Used when lifting snowmobiles
10732	LIFT DOLLY - Helps move lift while in down position
16010	TOOL TRAY - Keeps tools organized and Handy

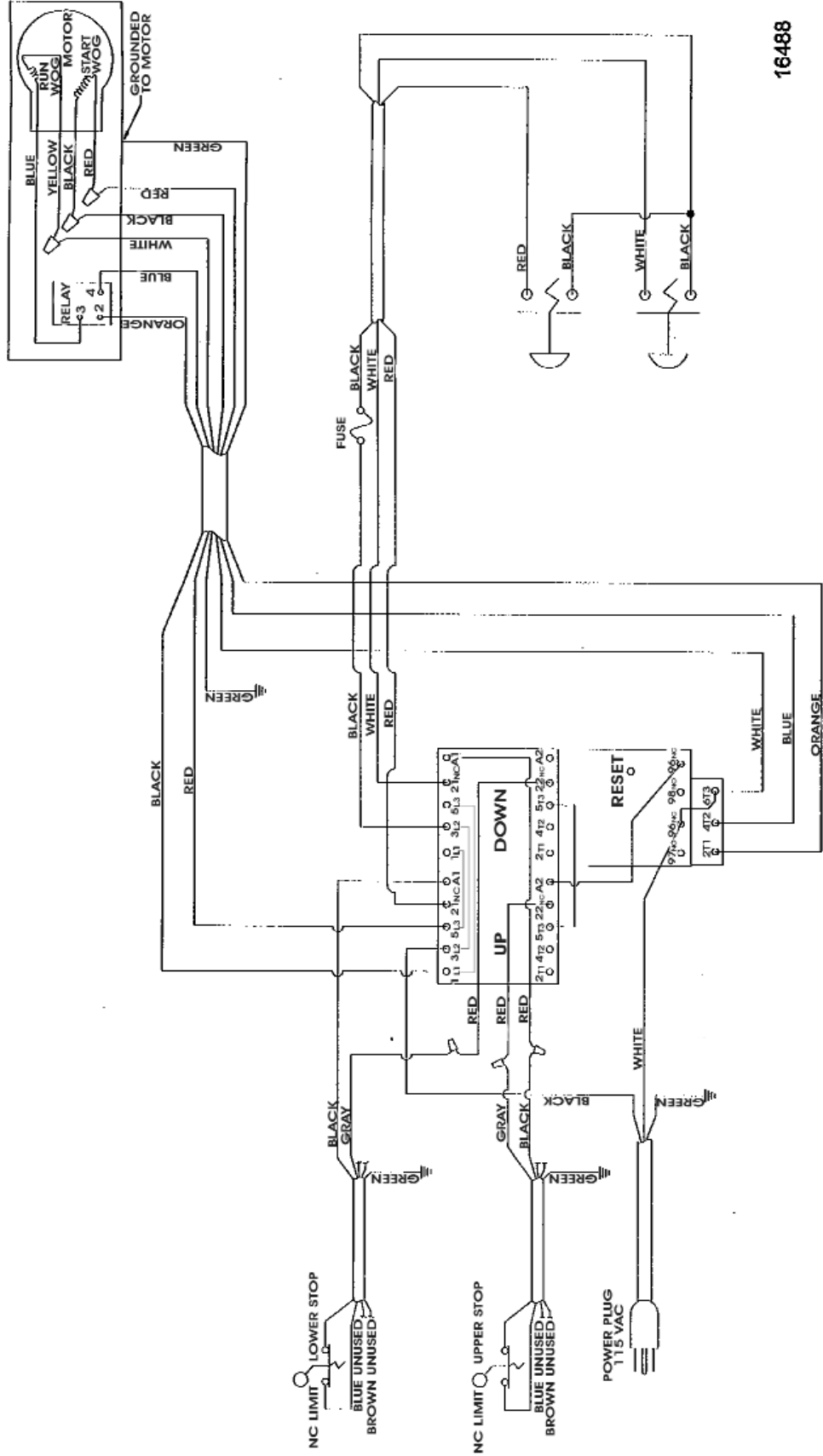
STANDARD ELECTRIC LIFT



QTY	PART No.	DESCRIPTION	QTY	PART No.	DESCRIPTION
1	11000	ACME NUT	1	11323	GEAR MOTOR
1	11008	PIVOT SHAFT	1	11377	D9 THRUST BEARING
1	11009	FRAME PIVOT SHAFT	1	12339	POWER CORD 14/3 STO 105DEG 6FT
1	11051	ASSY TOP WELDED	1	16479	CONTACTOR (INSIDE CONTROL BOX)
1	11157	NUT COUPLING ASSEMBLY	1	16480	RELAY (INSIDE CONTROL BOX)
1	11165	ACME SCREW	2	16481	LIMIT SWITCH W/ CORD
1	11169	CAM SHAFT ASSEMBLY	1	16482	PANEL MOUNT FUSE HOLDER
2	11252	CAM BEARING RETAINING RING	1	16483	TIME DELAY FUSE
4	11253	1 5/16 SPIRAL RETAINING RING	1	16489	UPPER LIMIT BRACKET
2	11254	1" RETAINING RING	1	16875	LOWER LIMIT BRACKET
1	11263	WASHER 1 3/4 X 1 1/32ID MACH.	1	16879	CONTROL BOX LID
4	11315	CAM ROLLER BEARING 5304-2RS	1	16884	CONTROL BOX ASSEMBLY
2	11316	CAM BRG SPACER 13/16 X 1/8 X 3 1/2 F/W	1	20585	CONTROL PENDANT
2	11318	CAST WHEEL	1	21054	RAMP ASSEMBLY
2	11321	ROLLER TRACK BEARING 1641-2RS			

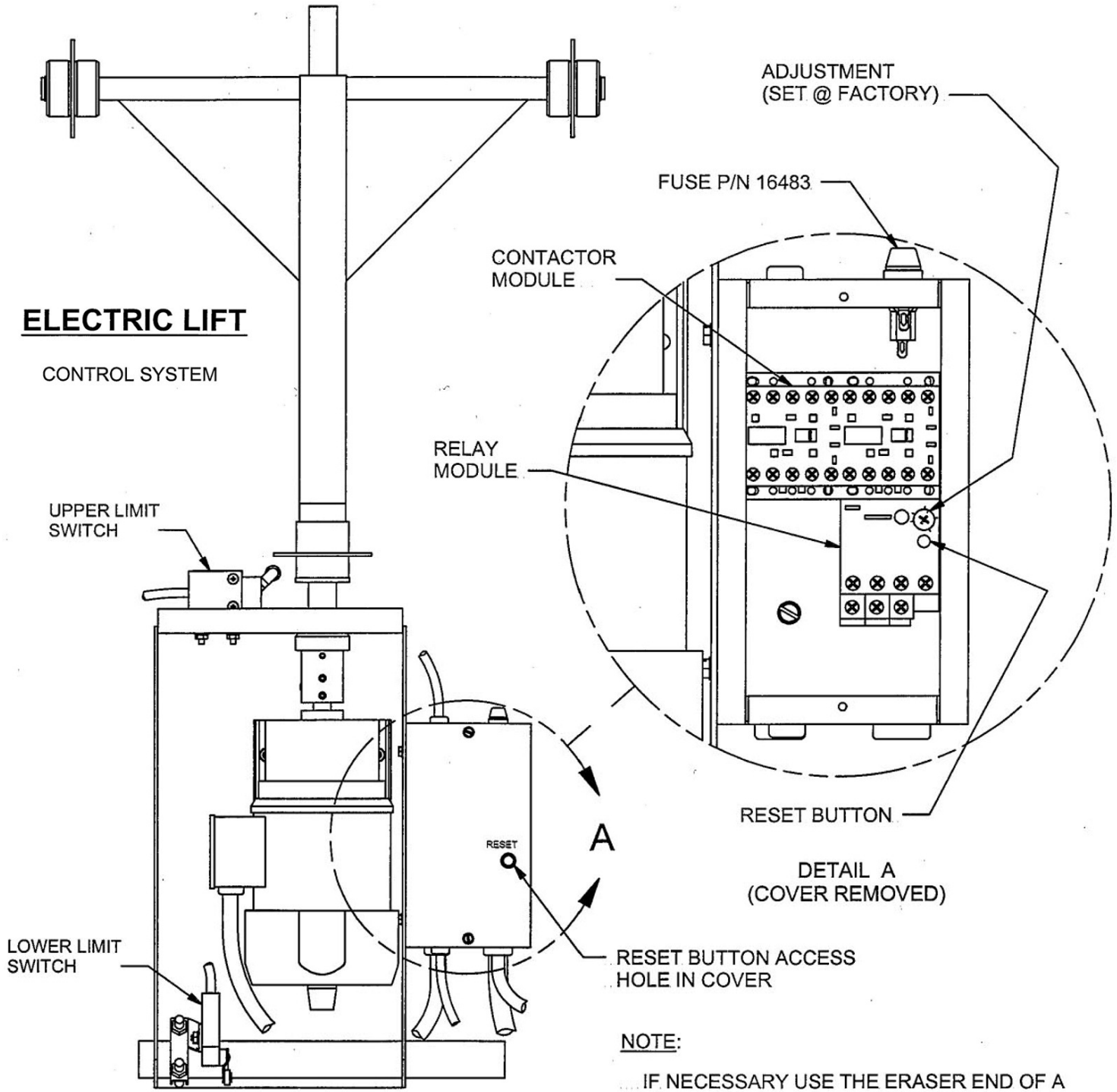
STANDARD ELECTRIC LIFT

WIRING DIAGRAM CONTROL SYSTEM



STANDARD ELECTRIC LIFT

CONTROL SYSTEM



ELECTRIC LIFT

CONTROL SYSTEM

UPPER LIMIT SWITCH

LOWER LIMIT SWITCH

CONTACTOR MODULE

RELAY MODULE

ADJUSTMENT
(SET @ FACTORY)

FUSE P/N 16483

RESET BUTTON

DETAIL A
(COVER REMOVED)

RESET BUTTON ACCESS
HOLE IN COVER

NOTE:

- ... IF NECESSARY USE THE ERASER END OF A COMMON WOODEN PENCIL TO PUSH DOWN ON THE RESET BUTTON

Limited Lifetime Warranty

Handy, Division of Janco Industries, Inc. is providing a limited lifetime warranty on its motorcycle lift line. This Lifetime Limited Warranty is available on lifts that have a serial number the same as or greater than those listed. Standard 1000 air and electric #ST 0138, SAM 1000 air and electric #S 0082, SAM2 1000 air #S2 0020, BOB 1500 air #B 0100, Electric/Hydraulic 1500 #H 0008, Gruntavore 1800 #GR 0004, B.U.L. (all serial numbers), Dual Lift (all serial numbers). The purchaser must provide Handy with a legible copy of the purchase receipt to obtain this warranty. The purchaser must provide Handy notice of the defect and establish that the equipment was properly set up, maintained and operated within the limits of rated and normal usage. Handy, Division of Janco Industries, Inc. reserves the right to have its product shipped back to the factory for inspection to ensure the lift was not being used above its rated limits and capacity. The purchaser is responsible for freight charges until a determination is made by Handy. Handy will reimburse the purchaser if it is determined that he or she was not using lift above the rated capacity. This warranty covers the structure of the following models of Handy lifts: Standard 1000, SAM 1000, SAM2 1000, BOB 1500, Electric/Hydraulic 1500, Gruntavore 1800, B.U.L., Dual Lift. Attachments for these lift models are not included in the limited lifetime warranty. This warranty only covers the structure of the lift itself. It does not cover any cost of labor, transportation, freight, installation, misuse, abuse, or rust or failure of the air cylinder and/or foot pedal due to rust and or moisture. Also excluded in this warranty are items that were purchased for the Handy lift and installed on it at the factory such as electric motors, hand-held pendants and bearings. Parts considered wearable carry a 90-day warranty. All other parts excluded from the lifetime warranty carry a 1-year warranty from time of purchase. If the lift is purchased from a un-authorized distributor, eBay or other online service, you are not eligible to receive the limited lifetime warranty for the structure of the lift. This warranty is only offered to the original purchaser and is non-transferable. It must be purchased from Handy, Division of Janco Industries, Inc. or one of its authorized distributors.