



## CE FOOT PEDAL INSTRUCTIONS

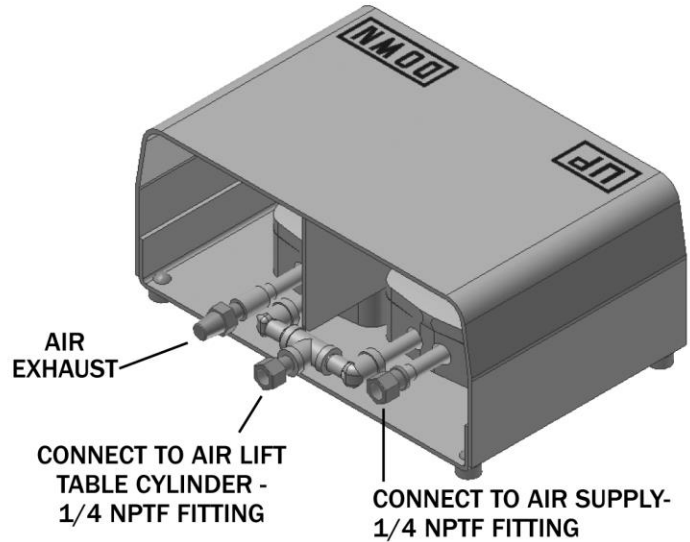
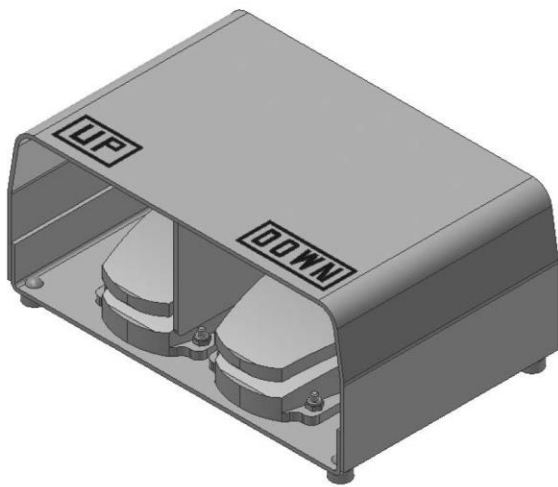
P/N 16355



**THE CARLSON COMPANY**  
Your Source For Professional Service Equipment

800-222-6199 • 949-768-3333 • Fax 949-768-3336  
www.TheCarlsonCompany.com

The CE Foot Pedal is designed to meet the requirements of European CE standards, specifically Machinery Directive 2006/42/EC. Because the actuation pedals are covered, it minimizes the risk of an object falling onto the pedal and actuating the air lift. It also has the feature of automatically stopping the up or down travel of the lift when one of the pedals is released. The pedal fits any Handy Air Lift. The drawings below show how to connect the pedal to a Handy Air Lift.



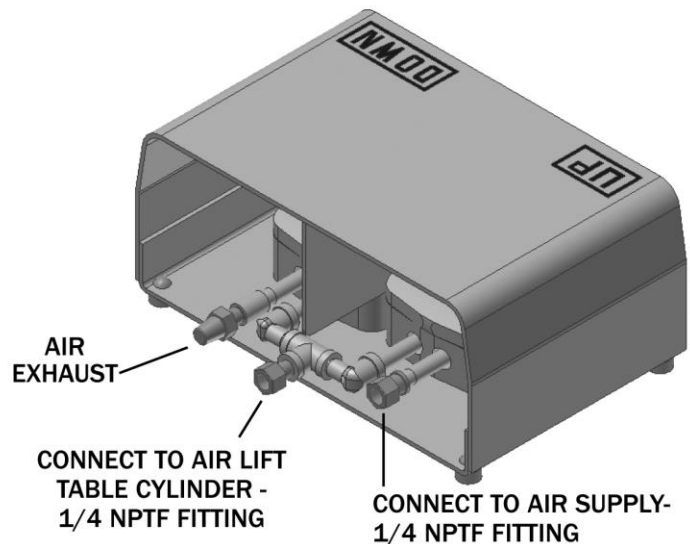
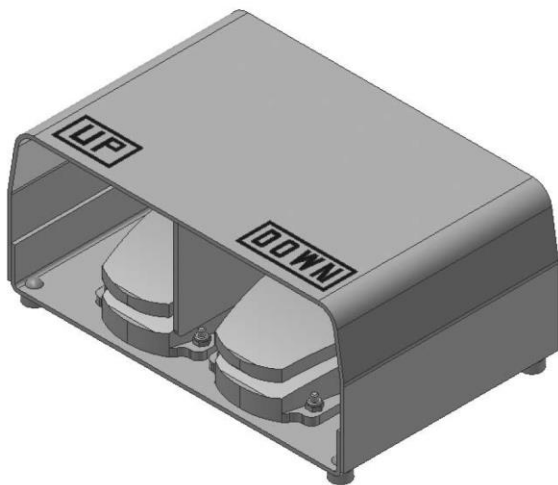
16356 8/14



## CE FOOT PEDAL INSTRUCTIONS

P/N 16355

The CE Foot Pedal is designed to meet the requirements of European CE standards, specifically Machinery Directive 2006/42/EC. Because the actuation pedals are covered, it minimizes the risk of an object falling onto the pedal and actuating the air lift. It also has the feature of automatically stopping the up or down travel of the lift when one of the pedals is released. The pedal fits any Handy Air Lift. The drawings below show how to connect the pedal to a Handy Air Lift.



16356 8/14