



LIFT TABLE TOOL TRAY

MOUNTING INSTRUCTIONS

P/N 16010

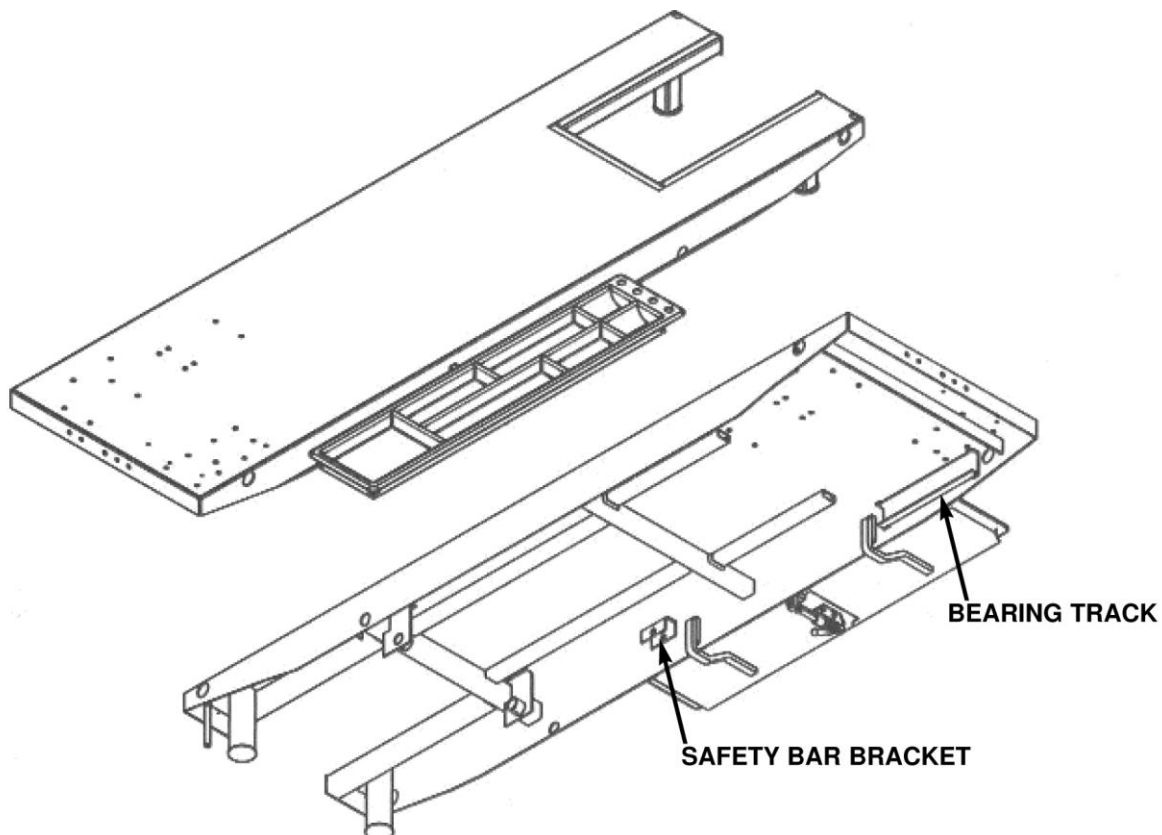
The Lift Table Tool Tray can be mounted to our Standard Lift, S.A.M. Lift, B.O.B. Lift and Gruntavore Lift. It can be mounted to the side of the table as shown or on the end of the table. It can also be mounted to a side extension. The Tool Tray can hold up to 50 lbs. of material when mounted to the side of the lift or 30 lbs. when mounted to the end of the lift.

Mounting to Side of Lift Table

- λ Remove plastic tray from base support.
- λ Position base support as shown so that the 2 outside clamp pads are between the lift table safety bar bracket and the bearing track.
- λ Engage the toggle clamp. Check to see that there is sufficient clamping force so that tool tray doesn't drop. If more force is needed, adjust the position of the clamp pad at the end of the toggle clamp.
- λ Put plastic tray onto base support.

Mounting to End of Lift Table or Side Extension

- λ Remove plastic tray from base support.
- λ Position base support on end of lift table or anywhere along side extension. If attaching to the dropout end of a S.A.M. 1000 or B.O.B. 1500 lift table, the dropout cover must be in place.
- λ Engage the toggle clamp. Check to see that there is sufficient clamping force so that tool tray doesn't drop. If more force is needed, adjust the position of the clamp pad at the end of the toggle clamp.
- λ Put plastic tray onto base support.



800-222-6199 • 949-768-3333 • Fax 949-768-3336

www.TheCarlsonCompany.com

