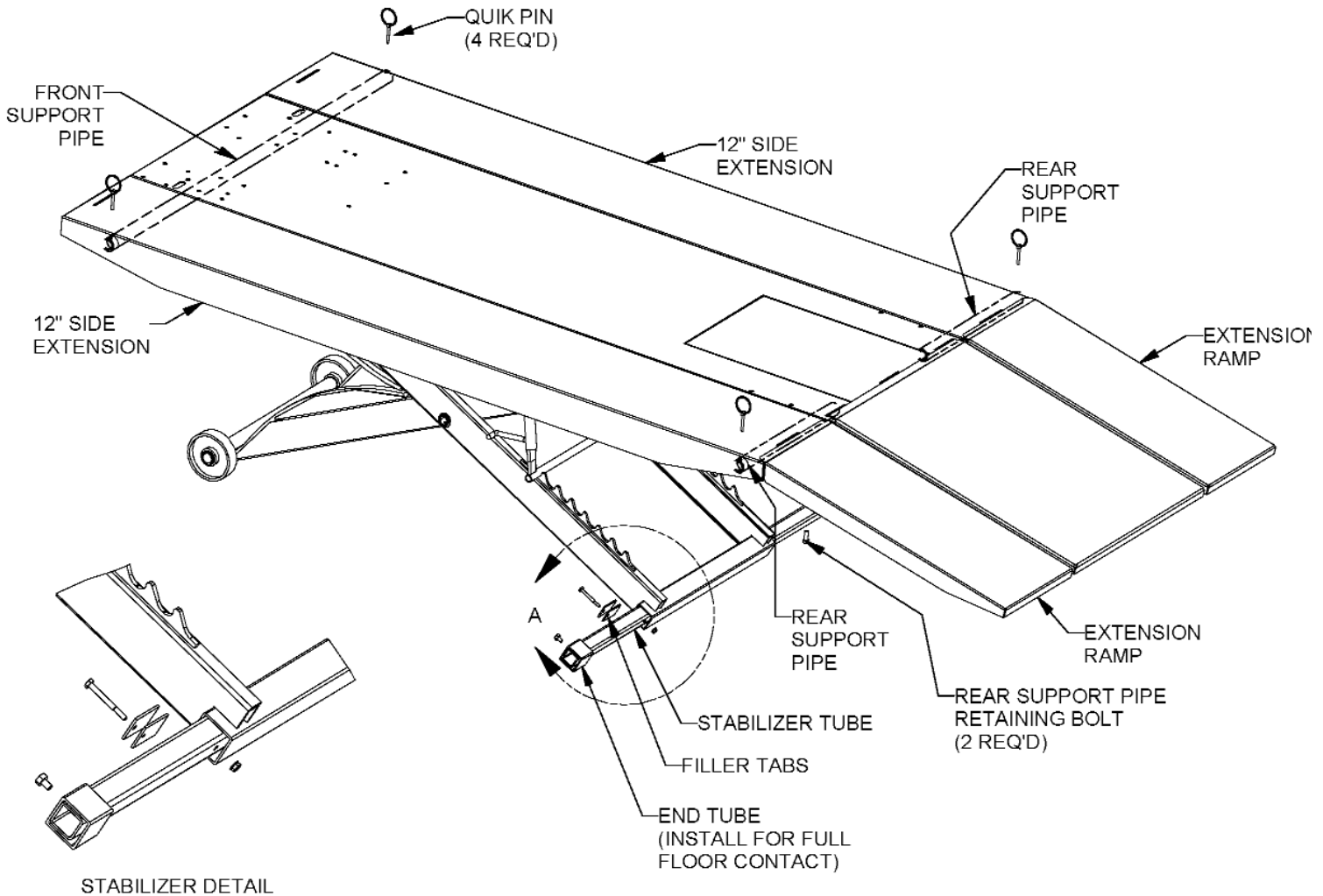




# S.A.M. 1000 - 12" SIDE EXTENSIONS

## MOUNTING INSTRUCTIONS



### ITEM 16002

**FOR USE WITH S.A.M. 1000**

**24" X 84" LIFT TOPS**

1. Insert pipes from extension panel package through holes in lift table.
2. Mount panels on each end of pipe as shown above.
3. Secure rear support pipes to lift top using 3/8" bolts provided.
4. Insert 1/4" Quik Pins provided through holes in each end of pipe.
5. Mount extension ramps on panels.
6. **Stabilizer Tube** - Insert long stabilizer tube through tube of lift outside frame. Secure stabilizer tube on each end of frame tube using filler plates and bolts as shown. Attach the short 2" tube at the end(s) of the stabilizer tube using one bolt & nut as shown. Mount so that this 2" tube has full contact on floor.



**THE CARLSON COMPANY**  
Your Source For Professional Service Equipment

800-222-6199 • 949-768-3333 • Fax 949-768-3336

[www.TheCarlsonCompany.com](http://www.TheCarlsonCompany.com)