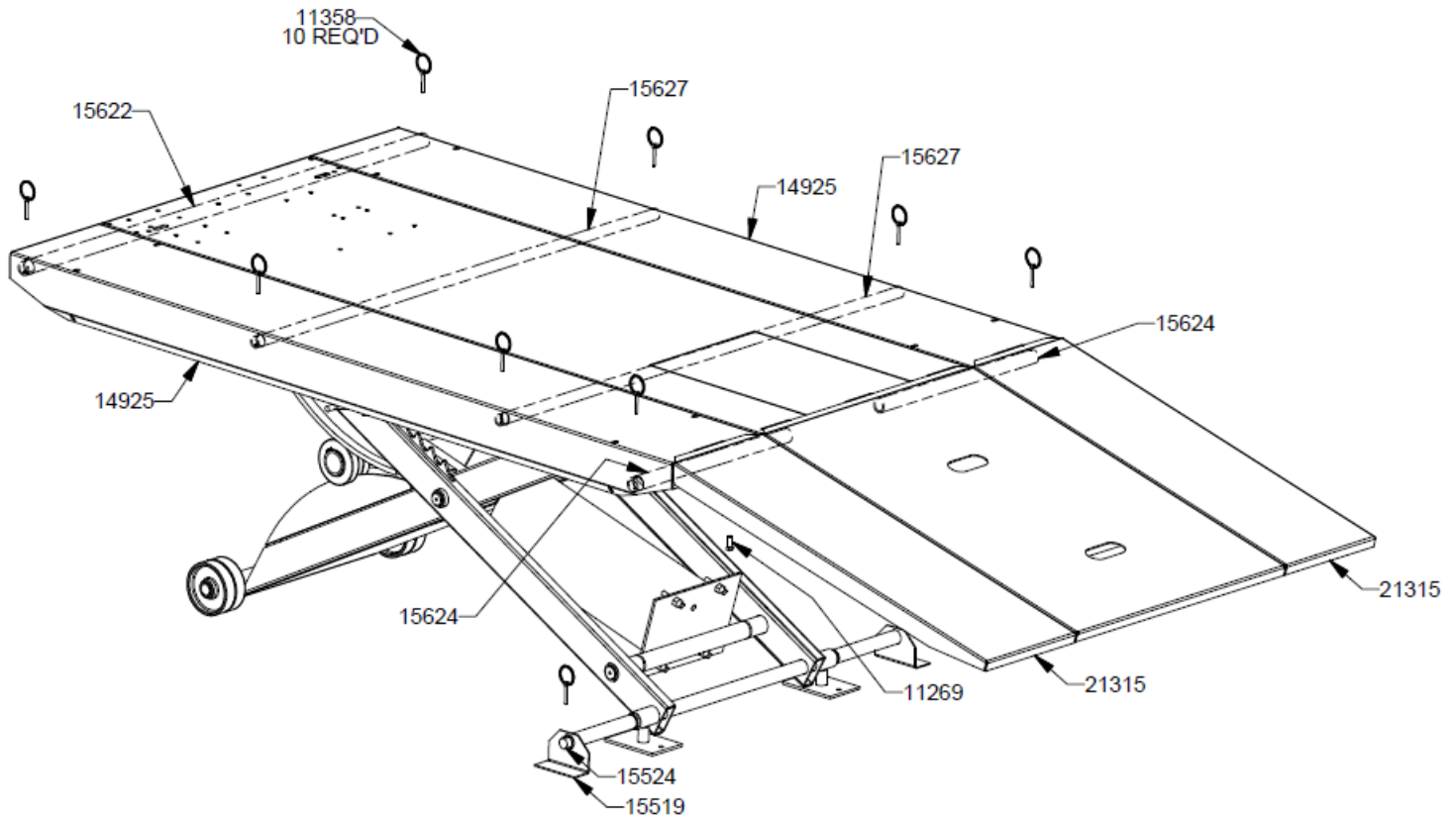




# B.O.B. 1500 AIR LIFT 12" SIDE EXTENSIONS

ITEM #14473



**NOTE: 15625 Bag Pak includes (10) 11358 and (2) 11269:**

1. Insert pipes (15622, 15627 & 15624) from extension panel package through holes in lift table. Pipes (15624) should be inserted so that the ends are flush with the inside of the dropout. Secure pipes (15624) with (11269) 3/8" x 1" screws.
2. Mount panels (14925) on ends of pipe on each side of table with ramp hole to outside.
3. Insert 1/4" Quik Pins (11358) provided through holes in each end of pipe.
4. Mount ramp to side extension panel by inserting tab on ramp into slot on side extension.
5. Stabilization bar instructions - Insert bar (15524) through foot pad assembly on lift. Slide foot pad extensions (15519) over bar and secure with quick pins (11358).



**THE CARLSON COMPANY**  
*Your Source For Professional Service Equipment*

800-222-6199 • 949-768-3333 • Fax 949-768-3336

[www.TheCarlsonCompany.com](http://www.TheCarlsonCompany.com)