



MANUAL MULTI-LIFT

λ INSTRUCTIONS λ PARTS DRAWING λ PARTS LIST

ITEM # 14691

WARNING: READ INSTRUCTIONS BEFORE OPERATING



FOR YOUR SAFETY

- √ CENTER LOAD ON TABLE - 300 LBS. MAXIMUM
- √ KEEP HANDS AND TOOLS FROM UNDER CARRIAGE
- √ DO NOT MOUNT TABLE WHEN IN ELEVATED POSITION

HANDY LIMITED WARRANTY

Handy, Division of Janco Industries, Inc. warrants to the original purchaser of this product, all parts to be free from defects in manufacture for a period of one (1) year from date of delivery. Notice of a defective part must be received in writing at Handy Division of Janco Industries, Inc. within one (1) year of purchase. All defective parts must be returned to Handy Industries and which, upon our examination any parts which are defective in manufacture or workmanship, will be replaced or put in good operating condition. This warranty does not apply to damage resulting from accident, improper installation, repair, operation or maintenance, negligence or neglect. THE COST OF SUCH REPLACEMENT OR REPAIR SHALL BE EXCLUSIVE REMEDY FOR ANY BREACH OF ANY WARRANTY AND HANDY INDUSTRIES SHALL NOT BE LIABLE TO ANY PERSON FOR CONSEQUENTIAL DAMAGE, OR INJURY, OR COMMERCIAL LOSS RESULTING FROM ANY BREACH OF WARRANTY. HANDY INDUSTRIES MAKES NO WARRANTY OR MERCHANTABILITY, MAKES NO WARRANTY OF FITNESS FOR A PARTICULAR PURPOSE AND MAKES NO OTHER WARRANTY EXPRESSED OR IMPLIED, INCLUDING IMPLIED WARRANTY ARISING FROM THE COURSE OR DEALING OR USAGE OF THE TRADE.



THE CARLSON COMPANY
Your Source For Professional Service Equipment

800-222-6199 • 949-768-3333 • Fax 949-768-3336

www.TheCarlsonCompany.com

▲ Denotes special Safety Cautions Warning. Read entire manual to comply with all Safety & Service Precautions.

ASSEMBLY INSTRUCTIONS

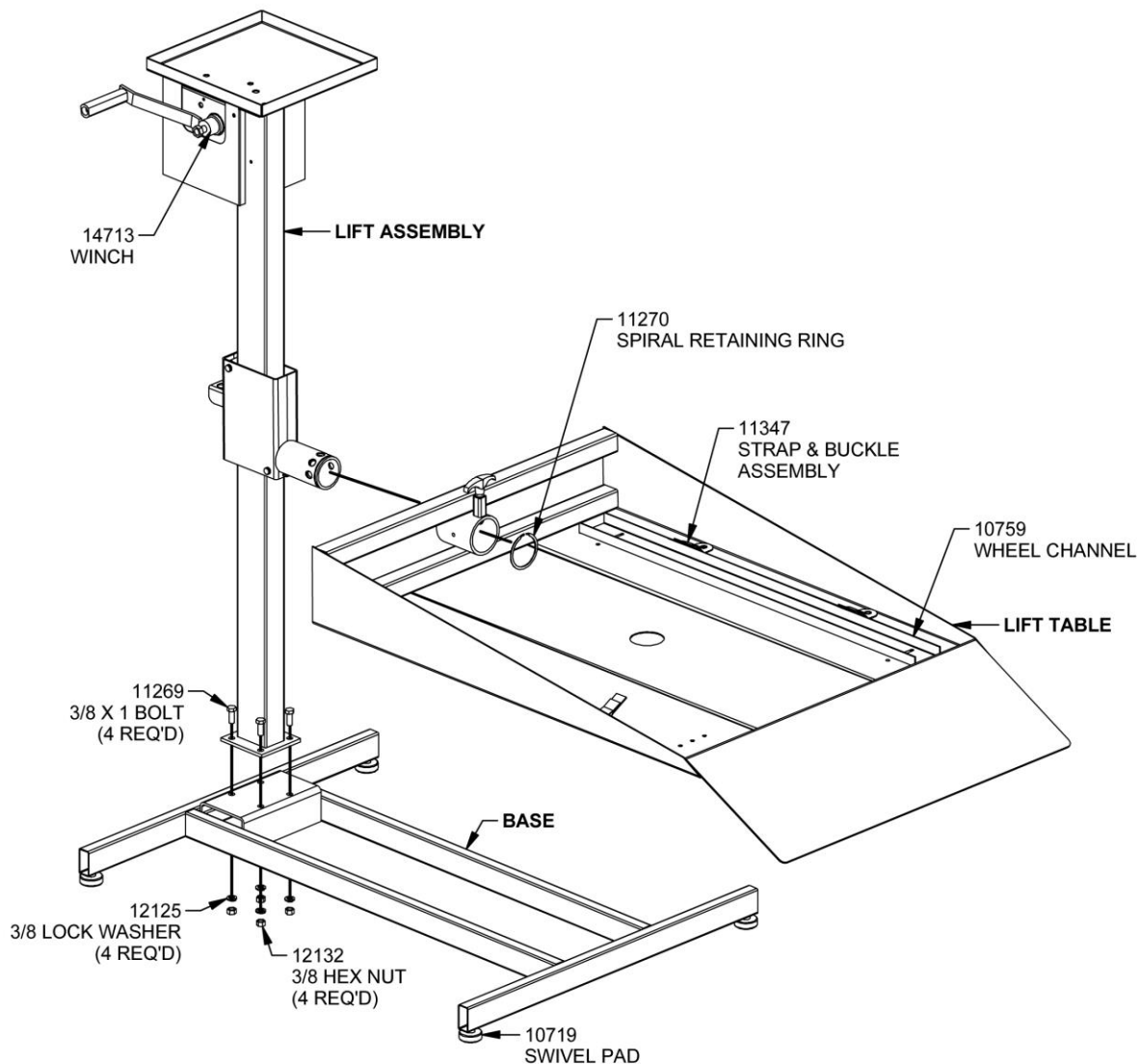
NOTE: ASSEMBLY OF THE MULTI-LIFT REQUIRES TWO PEOPLE.

LIFT ASSEMBLY INSTALLATION

1. Remove the H-frame assembly and set on the floor at the location you wish to assemble the lift.
2. Utilizing the carton as a support for the lift assembly, lay the lift on one side.
3. Secure the assembly to the base by installing four 3/8" x 1" nuts and bolts.
4. Put lift in upright position.
5. To install winch handle. Make sure shim is on the stud first, behind the handle. Install handle, followed by flat washer and nut. **WARNING: DO NOT OVERTIGHTEN NUT! Nut should be hand tightened with an end wrench, DO NOT use an impact wrench. Twisting off the stud by overtightening voids winch warranty.**

LIFT TABLE INSTALLATION

1. Utilizing 2 people pick up the lift table and slide onto roller box pivot tube. Make certain the T-Knob is locked in the level position.
2. Spread the spiral retainer ring and start one end in groove of roller box pivot tube and slide remainder of ring into place.



LOADING AND LIFTING PUSH STYLE LAWNMOWERS

▲ WARNING: NEVER OPERATE (START ENGINE) ON ANY EQUIPMENT WHILE IT IS LOADED ON THE MANUAL MULTI-LIFT.

1. Make certain the wheel guide channel is firmly bolted to the same side of the lift table as the tracking wheels of the lawn mower. (Note: Some lawnmowers have offset wheels on one side to compensate for grass discharge chute). The wheel channel is secured with two 1/4" bolts.
2. Utilizing the fixed ramp, load the lawnmower onto the Multi-Lift table.
3. Utilizing the two tie-down straps provided with the Multi-Lift, secure the mower to the table top. Do not leave any slack.

▲ WARNING: FAILURE TO FULLY SECURE THE ITEM YOU ARE LIFTING COULD RESULT IN INJURY PARTICULARLY IF YOU INTEND TO ROTATE THE LIFT TABLE.

4. After securing lawnmower move to the front (winchside) of the lift. Making certain that all pinch points are free from hand and legs and that all body parts are clear from protruding obstacles (i.e. handles, mufflers etc.).

LIFT TABLE ROTATION

▲ WARNING: ROTATING AN ITEM WITH LIQUIDS (GAS, OIL ETC.) CAN CAUSE SPILLAGE. MAKE CERTAIN HAZARDOUS MATERIALS ARE DRAINED BEFORE ATTEMPTING TO ROTATE. ALSO DOUBLE CHECK TIE-DOWN STRAPS. ALWAYS BE AWARE OF PROTRUDING PARTS (HANDLES, MUFFLERS ETC). MAKE CERTAIN THE AREA IS CLEAR OF ANYONE WHO COULD GET INJURED DURING ROTATION OR ANY OTHER TIME WHILE THE EQUIPMENT IS LOADED.

1. With one hand, firmly grip the front end of the lift table (square tubing). You may rotate the table either way.
2. With the other hand, pull the T-Head release pin at the swivel head.
3. Rotate the table to the desired location. There are two points each direction. One at 45 degrees and the other at 90 degrees. Make certain the T-Head pin is secured in a hole on the swivel head before releasing the lift table.
4. To return the lift table to the level position, reverse above instructions.

TO RAISE & LOWER LIFT

1. Make certain the area is clear of anyone who could get injured.
2. To **RAISE LOAD** turn handle clockwise. The automatic break will hold load in position.
3. To **LOWER** turn handle counter-clockwise.

LOADING OTHER EQUIPMENT

The Handy Manual Multi-Lift is specifically designed for use with push style lawnmowers. It, however can be utilized for a multitude of different items that need to be lifted. Always make certain that whatever items are being lifted can be safely loaded, secured and unloaded.

▲ WARNING: DO NOT USE THE LIFT TO ROTATE ANY ITEM OTHER THAN PUSH LAWNMOWERS. DO NOT USE ROTATION DEVICE FOR ANY LAWNMOWER THAT IS DESIGNED OR MODIFIED TO MAKE IT TOP HEAVY.

PARTS LIST

- 10759 - Swivel Pad
- 10760 - Wheel Channel
- 14710 - Tool Tray
- 11347 - Strap & buckle assembly
- 14703 - Winch

SERVICE NOTES: All moving parts were lubricated at the factory.