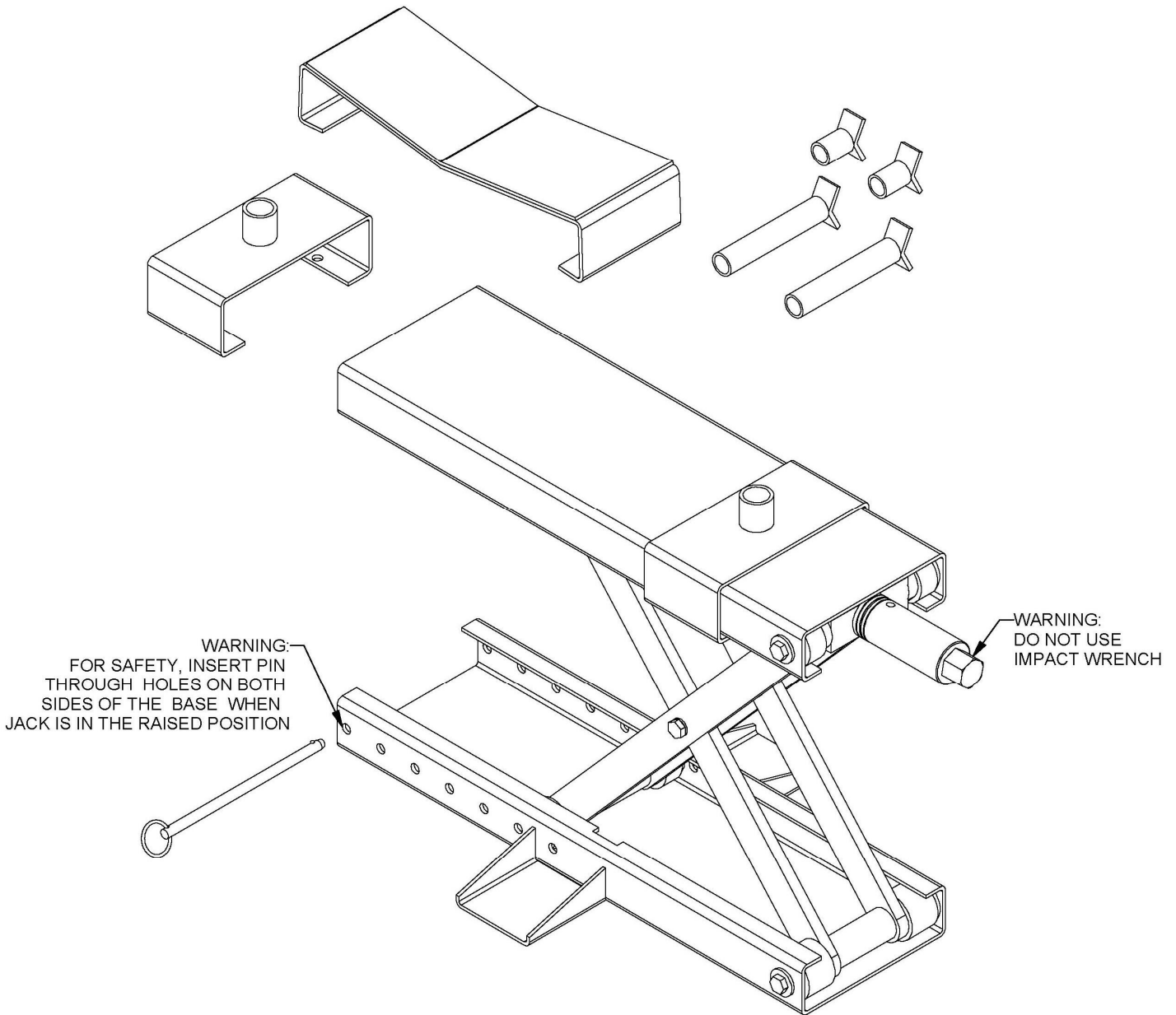




UNIVERSAL SCISSOR JACK

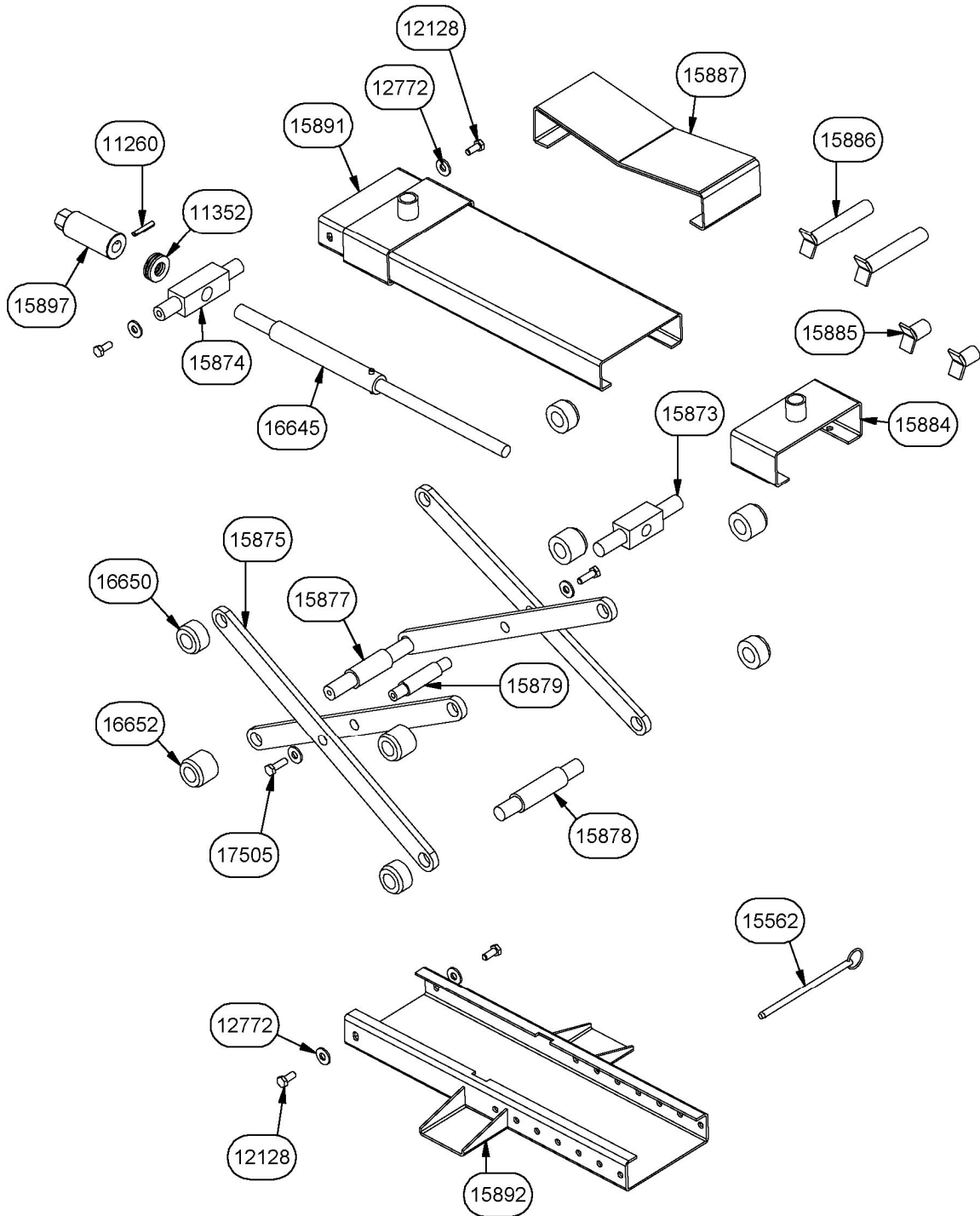
ITEM 13008



⚠ Loads must be centered on jack at all times. 750 lb. maximum.

HANDY LIMITED WARRANTY

Handy, Division of Janco Industries, Inc. warrants to the original purchaser of this product, all parts to be free from defects in manufacture for a period of one (1) year from date of delivery. Notice of a defective part must be received in writing at Handy Division of Janco Industries, Inc. within one (1) year of purchase. All defective parts must be returned to Handy Industries and which, upon our examination any parts which are defective in manufacture or workmanship, will be replaced or put in good operating condition. This warranty does not apply to damage resulting from accident, improper installation, repair, operation or maintenance, negligence or neglect. THE COST OF SUCH REPLACEMENT OR REPAIR SHALL BE EXCLUSIVE REMEDY FOR ANY BREACH OF ANY WARRANTY AND HANDY INDUSTRIES SHALL NOT BE LIABLE TO ANY PERSON FOR CONSEQUENTIAL DAMAGE, OR INJURY, OR COMMERCIAL LOSS RESULTING FROM ANY BREACH OF WARRANTY. HANDY INDUSTRIES MAKES NO WARRANTY OR MERCHANTABILITY, MAKES NO WARRANTY OF FITNESS FOR A PARTICULAR PURPOSE AND MAKES NO OTHER WARRANTY EXPRESSED OR IMPLIED, INCLUDING IMPLIED WARRANTY ARISING FROM THE COURSE OR DEALING OR USAGE OF THE TRADE.



QTY	PART NUMBER	DESCRIPTION	QTY	PART NUMBER	DESCRIPTION
4	12128	5/16-18 X 3/4 BOLT	1	15878	BOTTOM ROLLER PIN
6	12772	5/16 FLAT WASHER	1	15879	CENTER PIN
1	11260	3/16 ROLL PIN	2	15884	MAIN SUPPORT WELDMENT
1	11352	THRUST BEARING	2	15885	SHORT SUPPORT WELDMENT
1	15897	DRIVE SCREW HEX	2	15886	TALL SUPPORT WELDMENT
1	16645	SCREW WELD ASSY	1	15887	V-BLOCK WITH PAD
1	15562	SAFETY PIN	1	15891	TOP
1	15873	SCREW BLOCK	1	15892	BOTTOM
1	15874	SUPPORT BLOCK	4	16650	OUTSIDE ROLLER
4	15875	SCISSOR ARM	4	16652	INSIDE ROLLER
1	15877	PIVOT PIN	2	17505	5/16-18 X 1 BOLT