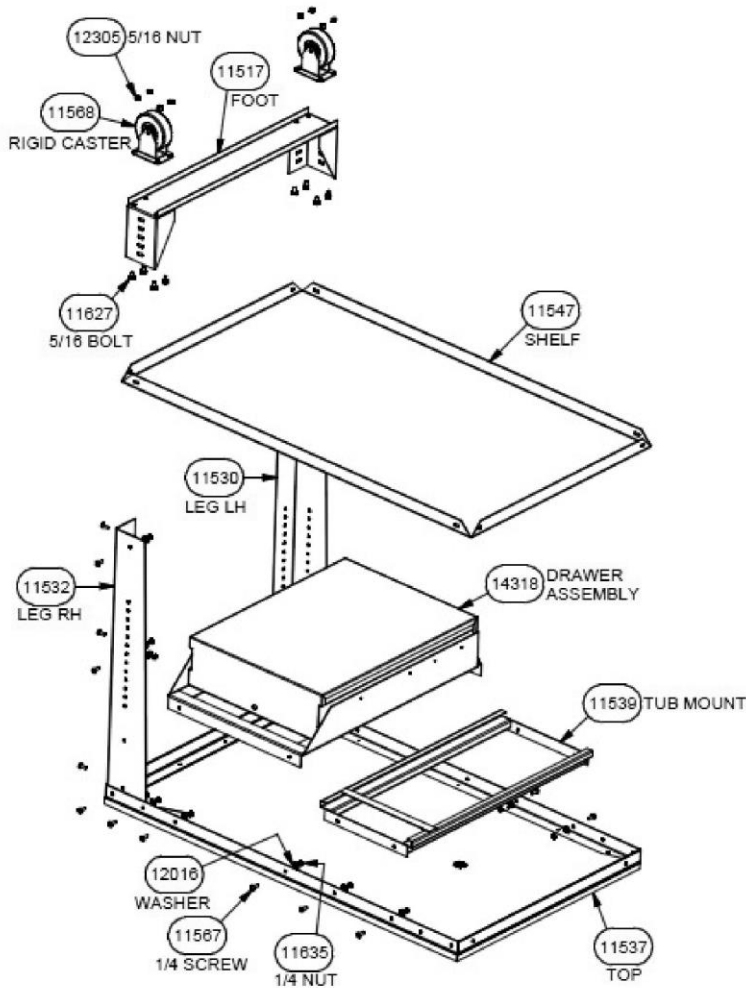




DELUXE TEAR-DOWN TABLE

MODEL 11505



ASSEMBLY INSTRUCTIONS

1/4-20 X 3/4 round head bolts and 1/4-20 hex nuts are used to assemble the legs, shelf and caster supports together.

5/16 hex head bolts and 5/16-18 hex nuts are used to install the casters to the supports.

A. Place the table top on the floor mounting holes facing up.

B. Bolt the legs onto the inside table top, but do not tighten until parts shelf is installed.

C. The parts shelf can be bolted onto the legs with the rim up or down. This shelf can be adjusted from 15" to 19-1/2" down from the top.

D. You can now bolt the caster support onto the legs of the table.

E. Using the 5/16-18 bolts and nuts, attach the casters to the support assembly.

⚠ WARNING: THE WASTE RESERVOIR MAY CONTAIN TOXIC OR FLAMMABLE MATERIAL. DO NOT SMOKE NEAR TABLE.

HANDY LIMITED WARRANTY

Handy, Division of Janco Industries, Inc. warrants to the original purchaser of this product, all parts to be free from defects in manufacture for a period of one (1) year from date of delivery. Notice of a defective part must be received in writing at Handy Division of Janco Industries, Inc. within one (1) year of purchase. All defective parts must be returned to Handy Industries and which, upon our examination any parts which are defective in manufacture or workmanship, will be replaced or put in good operating condition. This warranty does not apply to damage resulting from accident, improper installation, repair, operation or maintenance, negligence or neglect. THE COST OF SUCH REPLACEMENT OR REPAIR SHALL BE EXCLUSIVE REMEDY FOR ANY BREACH OF ANY WARRANTY AND HANDY INDUSTRIES SHALL NOT BE LIABLE TO ANY PERSON FOR CONSEQUENTIAL DAMAGE, OR INJURY, OR COMMERCIAL LOSS RESULTING FROM ANY BREACH OF WARRANTY. HANDY INDUSTRIES MAKES NO WARRANTY OR MERCHANTABILITY, MAKES NO WARRANTY OF FITNESS FOR A PARTICULAR PURPOSE AND MAKES NO OTHER WARRANTY EXPRESSED OR IMPLIED, INCLUDING IMPLIED WARRANTY ARISING FROM THE COURSE OR DEALING OR USAGE OF THE TRADE.



800-222-6199 • 949-768-3333 • Fax 949-768-3336

www.TheCarlsonCompany.com