

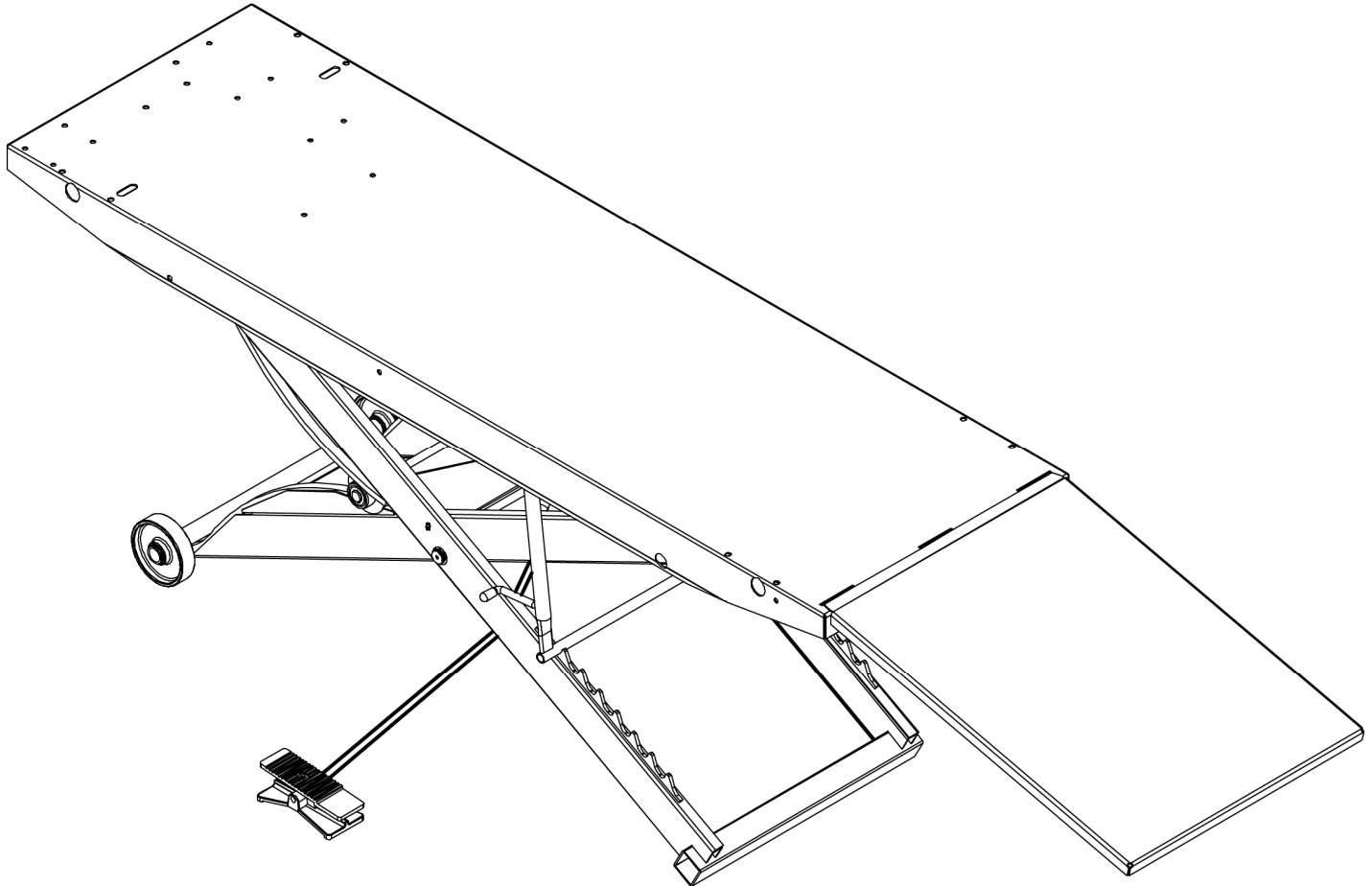


STANDARD 1000 AIR LIFT

λ INSTRUCTIONS λ PARTS DRAWING λ PART LIST

ITEM # 10740G - 10740O - 10740R - 10740B

⚠ WARNING: READ INSTRUCTIONS BEFORE OPERATING



1. Center load on table - 1000 lb. maximum.
2. Connect to 110 psi maximum shop air.
3. Keep safety bar in position at all times - except when lowering.
4. Keep hands and tools from under carriage.
5. Do not mount table when in elevated position.
6. Do not ride vehicle onto lift.
7. Lift must be in the lowered position when moving.
8. Only trained persons should operate Air Lift.
9. The working area should be sufficiently lit.
10. Foot controller should be at least 3 feet away from Air Lift during raising and lowering operation.
11. Recommended for indoor use only.
12. Tie-down straps must be used in conjunction with the holes provided in the lift top.

▲ NOTE: READ ENTIRE MANUAL TO COMPLY WITH ALL SAFETY AND SERVICE PRECAUTIONS. DEATH, PERSONAL INJURY AND/OR PROPERTY DAMAGE MAY OCCUR UNLESS INSTRUCTIONS ARE FOLLOWED CAREFULLY.

UNPACKING AND SET-UP

1. Open carton, then remove ramp and shipping boards.
2. **CAREFULLY TURN TABLE UPRIGHT INTO OPERATING POSITION BEFORE REMOVING SHIPPING CABLE RESTRAINT FROM SCISSOR MECHANISM.**

- ▲ 3. Connect foot-operated air valve to 110 psi maximum air supply. The lift may be damaged and/or personal injury may result if the pressure exceeds the maximum 110 psi rating.
4. Stand clear of lift table, and depress the UP side of foot valve to raise table.
5. To lower table, lift detent bar from safety latch and lower to next position or to floor.
6. Mount ramp to top by inserting ramp tabs into slots in lift top.

NOTE: If cycle vise is being installed, ramp must be mounted opposite the cycle vise.

OPERATION

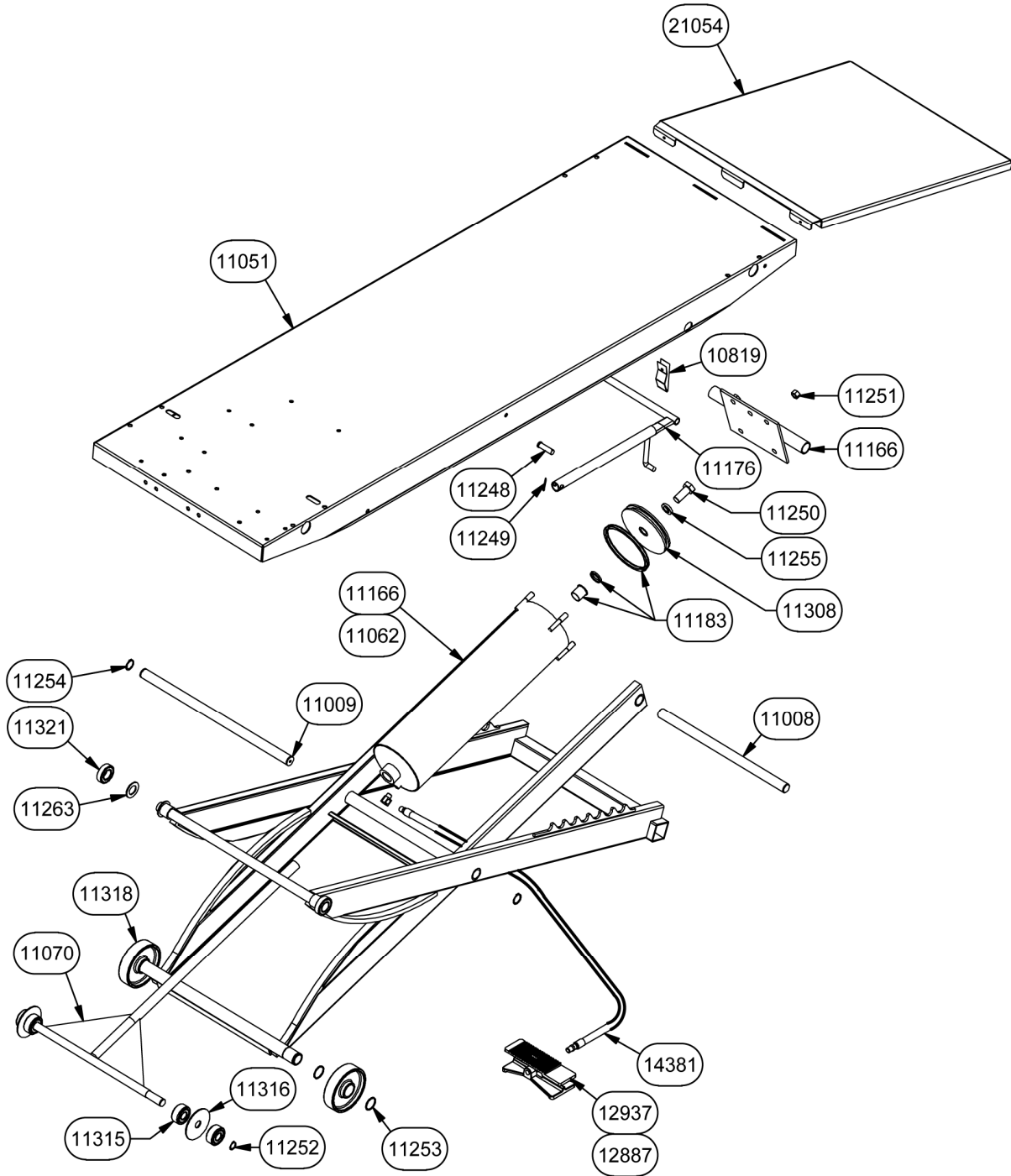
- ▲ 1. Loads must be centered on table at all times.
- ▲ 2. Loads must be firmly positioned and secured on table at all times. Tie-down straps **must** be used in conjunction with the holes provided in the lift top.
3. All moving parts have been lubricated at the factory and should be re-lubricated every 6 months to prevent galling. Grease zerks are located at each end of frame pivot shaft and at top ends of inside frame assembly.
4. Lightly oil cylinder rod when it becomes dry.
5. Squirt some oil through bleed hole in plate end of cylinder to lubricate piston and its seal every 6 months.
6. Pivot shaft set screws should be checked frequently to be sure they are tight. These are located at the top end of the inside frame assembly.

OTHER OPTIONS AVAILABLE

Separate installation instructions included with each option.

PART #	DESCRIPTION
14476	CV-17 CYCLE VISE – Vise with removable wheel stop built into vise
10728	12" SIDE EXTENSIONS (2) – Expands width of lift from 24" to 48" includes stabilizer bar
16011	13" FRONT EXTENSION – Extends lift top to 93" for longer wheel base motorcycles
10736	13" REAR EXTENSION – Extends lift top to 93" for longer wheel base motorcycles
15566	RAMP END EXTENSIONS – Attaches to end of lift ramp for a more gradual incline to prevent bigger bikes from dragging bottom.
10737	SNOWMOBILE WING KIT – Used when lifting snowmobiles
16355	CE FOOT PEDAL – Covered foot pedal
10732	LIFT DOLLY – Helps move lift while in down position
16010	TOOL TRAY – Keeps tools organized and Handy

PARTS DRAWING - PARTS LIST



QTY	PART No.	DESCRIPTION	QTY	PART No.	DESCRIPTION
1	10819	CLIP DETENT BAR	2	11252	RING RETAINING CAM BEARING
1	11008	PIVOT SHAFT	4	11253	RING RETAINING WHEEL 1 5/16 SPIRAL
1	11009	FRAME PIVOT SHAFT	2	11254	RING RETAINING 1
1	11051	TOP ASSEMBLY	1	11255	LOCKWASHER SPLIT 3/4 Z
1	11062	COMPLETE REPLACEMENT CYLINDER	3	11263	WASHER 1 3/4 X 1 1/32 ID MACH
1	11166	CYLINDER BODY W/ END PLATE	1	11308	PISTON 6" MACHINED L1176
1	11070	CYLINDER SHAFT ASSEMBLY	4	11315	BEARING CAM ROLLER 5304-2RS
1	11176	DETENT BAR ASSEMBLY	2	11316	SPACER CAM BRG 13/16X1/8X3 1/2 F/W
1	11183	CYLINDER SEAL KIT	2	11318	CAST WHEEL
2	11248	PIN CLEVIS 1/2 X 1 3/4	2	11321	BEARING TRACK ROLLER 1641-2RS
2	11249	PIN COTTER 1/8 X 7/8 PLATED	1	12887	REPLACEMENT VALVE STEM
1	11250	BOLT 3/4-10 X 1 3/4 GR5 Z I HHCS	1	12937	REPLACEMENT FOOT PEDAL
4	11251	NUT HEX HEAVY 1/2-13 PLAIN	1	14381	AIR HOSE ASSEMBLY
			1	21054	RAMP ASSEMBLY

RECOMMENDED MAINTENANCE

1. Daily visual checks to be done.
 - A. Check all retaining rings, set screws and working parts are in place and in good working condition before operations
 - B. Check cylinder and foot valves daily for any air leaks before operation.
2. Grease all grease zerks monthly. The locations of these are the two frame center pivot shafts and the two cylinder pivot shaft under the lift top.
3. Oil cylinder every 3 months. Use a combination of 1 oz. of STP engine oil treatment and 2 oz. of air tool oil mixed together and squirt into air cylinder air line. Unscrew foot valve from air line supply , squirt oil into air line then screw foot valve back on air supply line and apply air pressure. This will blow air inside of the cylinder coating the cylinder walls. This procedure keeps seals soft and pliable.

Limited Lifetime Warranty

Handy, Division of Janco Industries, Inc. is providing a limited lifetime warranty on its motorcycle lift line. This Lifetime Limited Warranty is available on lifts that have a serial number the same as or greater than those listed. Standard 1000 air and electric #ST 0138, SAM 1000 air and electric #S 0082, SAM2 1000 air #S2 0020, BOB 1500 air #B 0100, Electric/Hydraulic 1500 #H 0008, Gruntavore 1800 #GR 0004, Dual Lift (all serial numbers), B.U.L. (all serial numbers). The purchaser must provide Handy with a legible copy of the purchase receipt to obtain this warranty. The purchaser must provide Handy notice of the defect and establish that the equipment was properly set up, maintained and operated within the limits of rated and normal usage. Handy, Division of Janco Industries, Inc. reserves the right to have its product shipped back to the factory for inspection to ensure the lift was not being used above its rated limits and capacity. The purchaser is responsible for freight charges until a determination is made by Handy. Handy will reimburse the purchaser if it is determined that he or she was not using lift above the rated capacity. This warranty covers the structure of the following models of Handy lifts: Standard 1000, SAM 1000, SAM2 1000, BOB 1500, Electric/Hydraulic 1500, Gruntavore 1800, B.U.L., Dual Lift. Attachments for these lift models are not included in the limited lifetime warranty. This warranty only covers the structure of the lift itself. It does not cover any cost of labor, transportation, freight, installation, misuse, abuse, or rust or failure of the air cylinder and/or foot pedal due to rust and or moisture. Also excluded in this warranty are items that were purchased for the Handy lift and installed on it at the factory such as electric motors, hand-held pendants and bearings. Parts considered wearable carry a 90-day warranty. All other parts excluded from the lifetime warranty carry a 1-year warranty from time of purchase. If the lift is purchased from a un-authorized distributor, eBay or other online service, you are not eligible to receive the limited lifetime warranty for the structure of the lift. This warranty is only offered to the original purchaser and is non-transferable. It must be purchased from Handy, Division of Janco Industries, Inc. or one of its authorized distributors.



THE CARLSON COMPANY
Your Source For Professional Service Equipment

800-222-6199 • 949-768-3333 • Fax 949-768-3336

www.TheCarlsonCompany.com