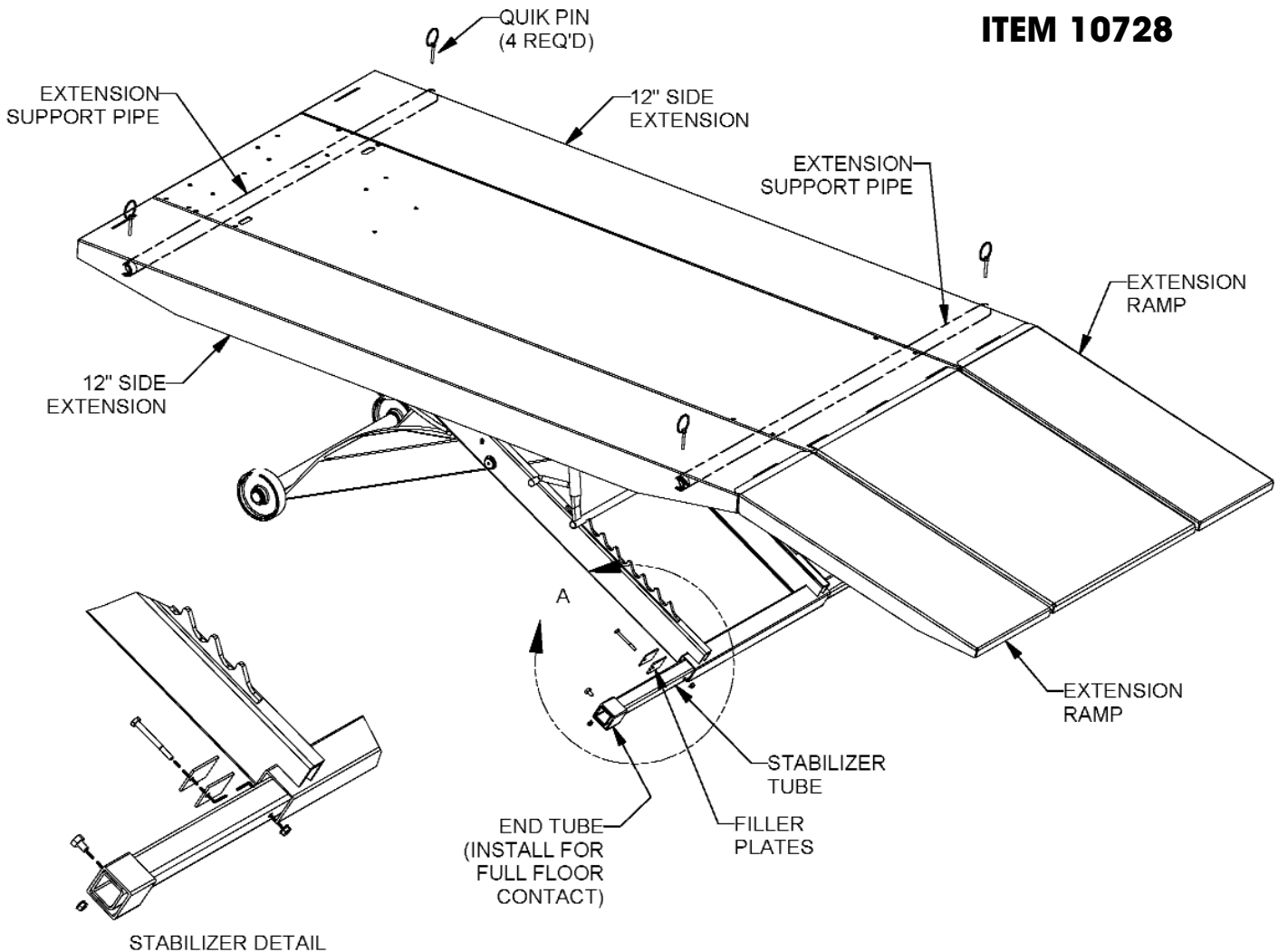




STANDARD LIFT - 12" SIDE EXTENSIONS MOUNTING INSTRUCTIONS

FOR USE WITH STANDARD 1000 LIFT 24" X 80" LIFT TOPS



1. Insert pipes from extension panel package through holes in lift table.
2. Mount panels on each end of pipe as shown above.
3. Insert 1/4" Quik Pins provided through holes in each end of pipe.
4. Hang extension ramps on panels.
5. **Stabilizer Tube** - Insert long stabilizer tube through tube of lift outside frame. Secure stabilizer tube on each end of frame tube using filler plates and bolts as shown. Attach the short 2" tube at the end(s) of the stabilizer tube using one bolt & nut as shown. Mount so that this 2" tube has full contact on floor.



THE CARLSON COMPANY
Your Source For Professional Service Equipment

Ph 800-222-6199 Fax 949-768-3336 www.thecarlsoncompany.com