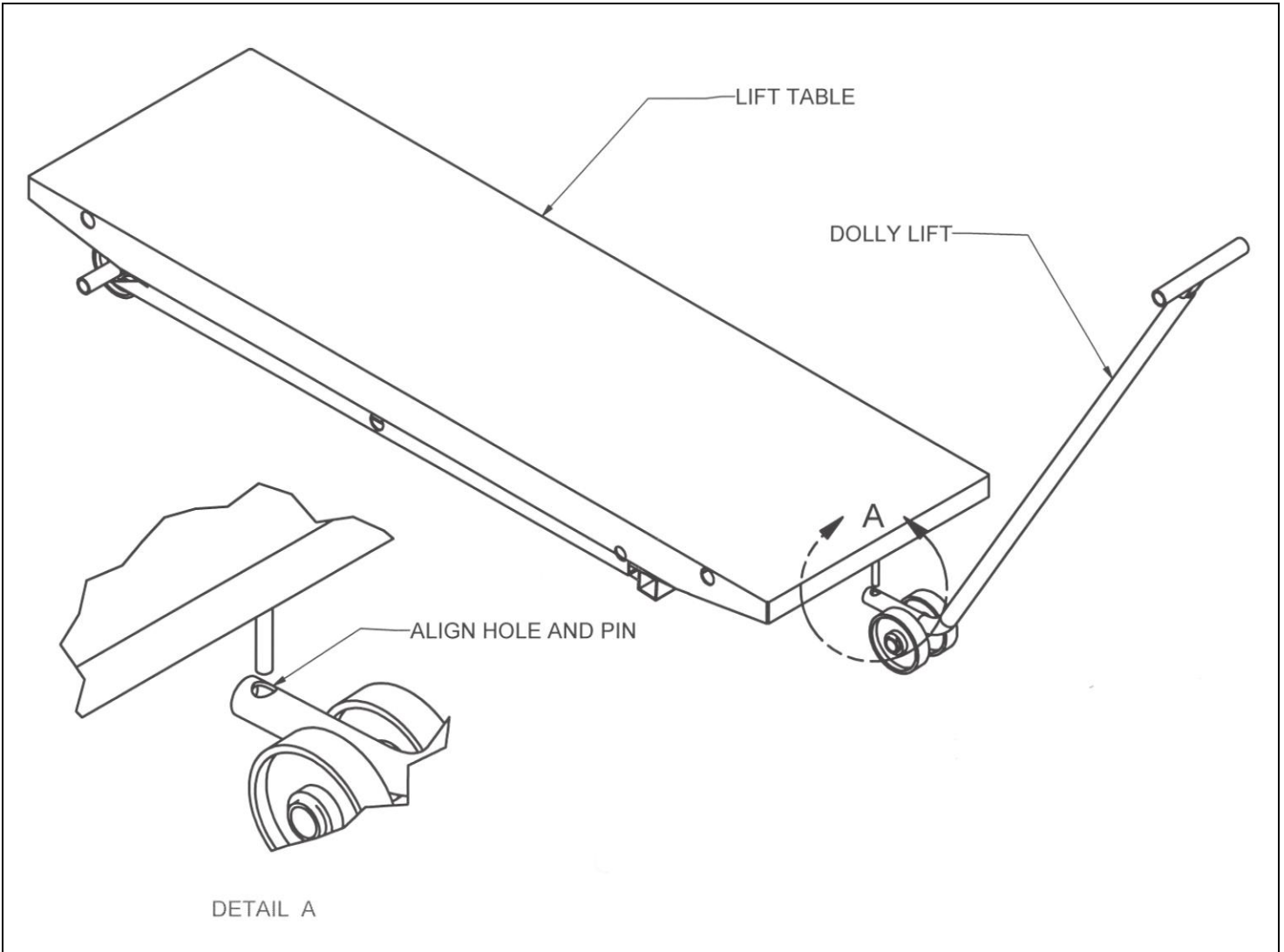




LIFT DOLLY

P/N 10732



INSTRUCTIONS

1. Lift must be in down position.
2. Align hole in end of lift Lift Dolly with pin at end of lift.
3. Push down on handle of lift Lift Dolly to raise end of lift.
4. Move lift to desired location.
5. Let handle of Lift Dolly up to lower lift.



THE CARLSON COMPANY
Your Source For Professional Service Equipment

800-222-6199 • 949-768-3333 • Fax 949-768-3336

www.TheCarlsonCompany.com