

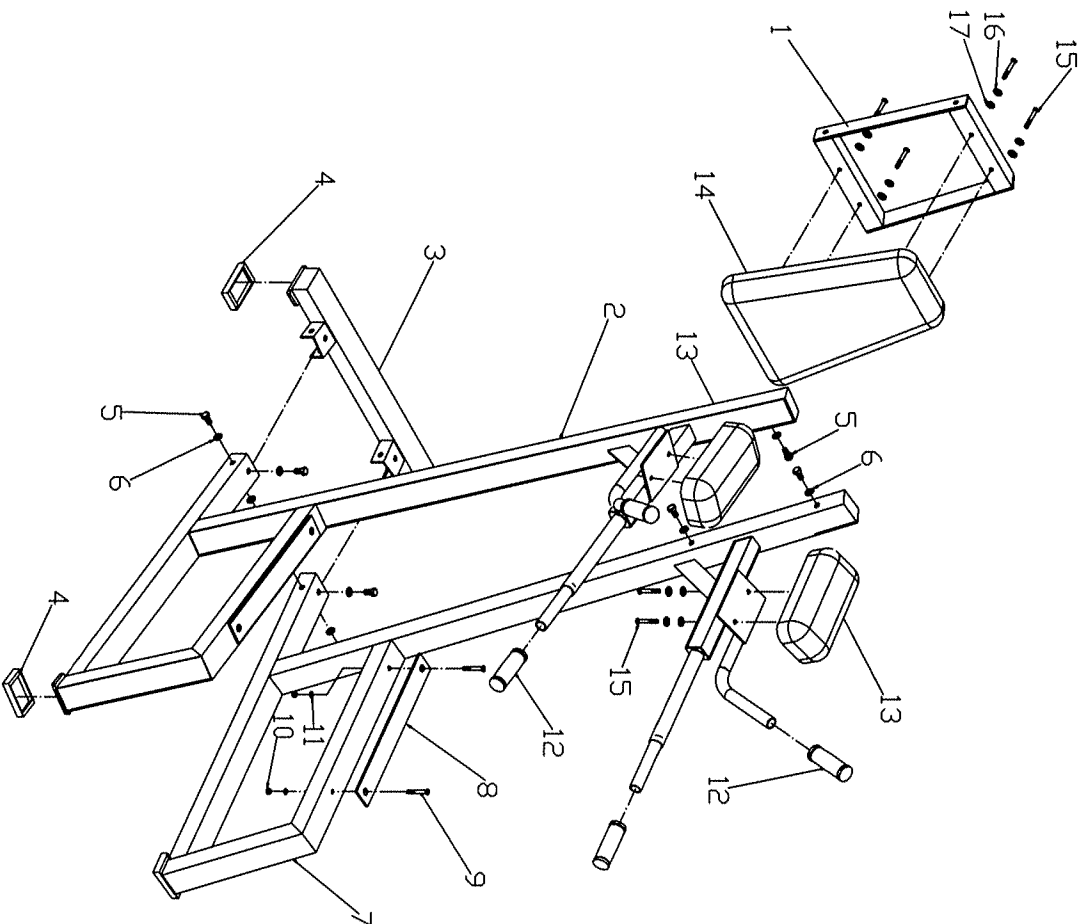


STRENGTH TRAINING SERIES VKR W/ DIP
No. 54032 WHITE 55032 SILVER

CHECK ITEM QTY DESCRIPTION

CHECK ITEM	QTY	DESCRIPTION
1	1	Back Pad Frame
2	1	Right Upright Frame
3	1	Base Frame
4	4	4-7/16"x2-1/2"Foot Pad
5	10	1/2"x 1"Bolt
6	10	1/2"Flatwasher
7	1	Left Upright Frame
8	2	Skidproof Board
9	4	3/8"x 2-3/4"Allen Flat Head Bolt
10	4	3/8"Nylon Locknut
11	4	3/8"Flatwasher
12	4	1-1/4"Handgrip
13	2	Arm Pad
14	1	Back Pad
15	8	5/16"x 1-1/2"Bolt
16	8	5/16" Lockwasher
17	8	5/16" Flatwasher
18	1	York Nameplate
19	1	Warning Label
20	1	Warranty Card
21	1	Serial # Sticker
22	1	Hardware Card
23	1	Assembly Instruction

REV. 08/08/2007



****IF PARTS ARE MISSING, DO NOT CALL THE STORE WHERE YOU PURCHASED THIS ITEM - THEY DO NOT STOCK PARTS. PLEASE CONTACT YORK BARBELL CUSTOMER SERVICE AT (800)358-9675 OR (717)767-6481**