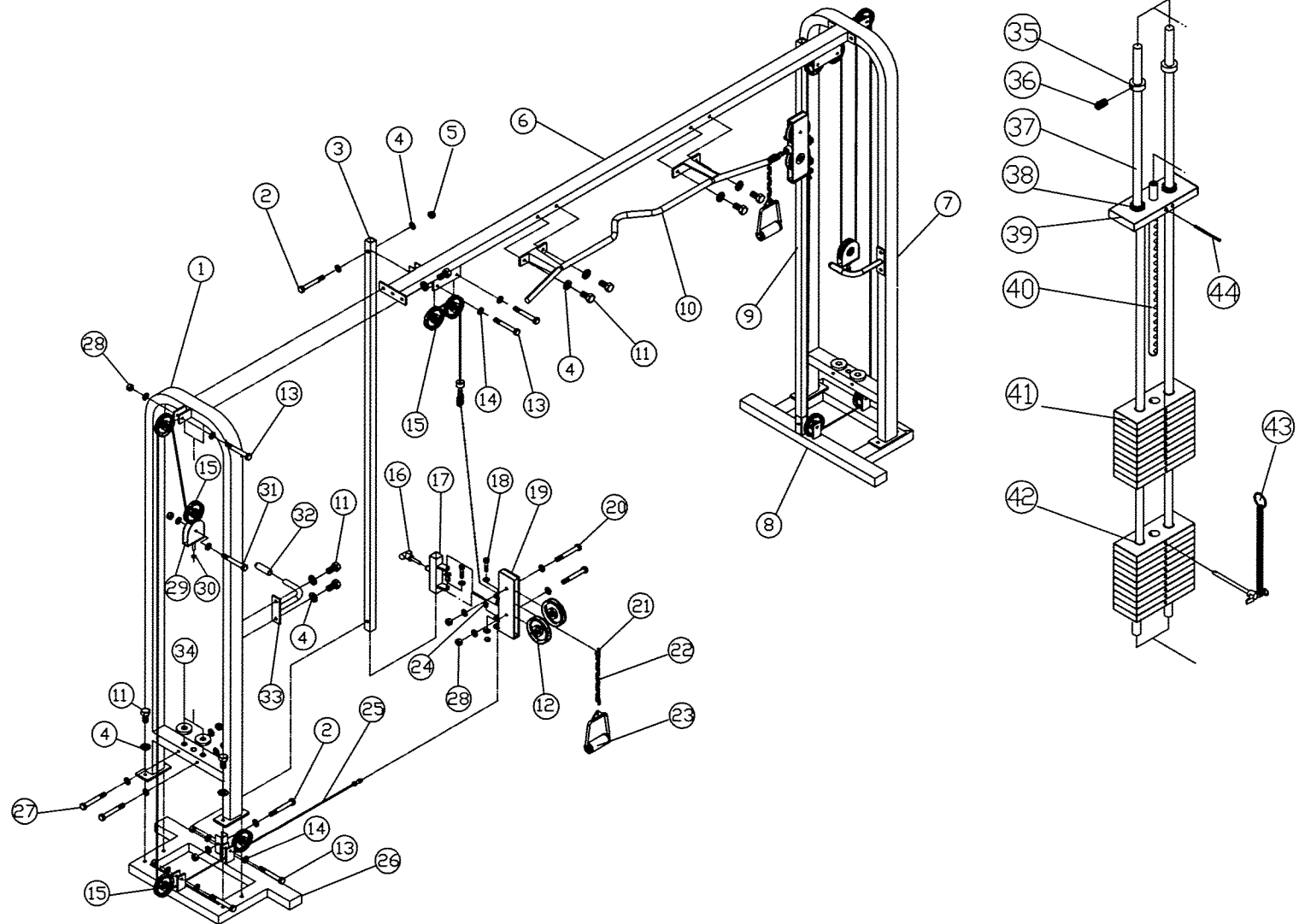




STRENGTH TRAINING SERIES CABLE CROSSOVER W/ ADJUSTABLE CABLE COLUMN

No. 54016 WHITE 55016 SILVER

CHECK	ITEM	QTY	DESCRIPTION
_____	1	1	Right Upright Frame
_____	2	4	1/2"x2-5/8" Bolt
_____	3	1	Right Adjustment Tube
_____	4	28	1/2" Flatwasher
_____	5	4	1/2" Nylon Locknut
_____	6	1	Top Beam
_____	7	1	Left Upright Frame
_____	8	1	Left Base Frame
_____	9	1	Left Adjustment Tube
_____	10	1	Handle Frame
_____	11	20	1/2"x1" Bolt
_____	12	4	Pulley
_____	13	10	3/8"x2-3/8" Bolt
_____	14	48	3/8" Flatwasher
_____	15	12	4-1/2" Pulley
_____	16	2	Pop Pin
_____	17	2	Adjustment Rack
_____	18	4	3/8"x1-5/8" Bolt
_____	19	2	Pulley Bracket
_____	20	4	3/8"x2-3/16" Bolt
_____	21	4	Hook
_____	22	2	Chain
_____	23	2	HandGrip
_____	24	4	Ø 5/8"xØ 3/8"x1/2" Steel Bushing
_____	25	2	Cable
_____	26	1	Right Base Frame
_____	27	4	3/8"x3-3/4" Bolt
_____	28	24	3/8" Nylon Locknut
_____	29	2	Rotational Pulley Rack
_____	30	2	1/2" Locknut
_____	31	2	3/8"x2" Bolt
_____	32	2	Sleeve
_____	33	2	Handrail
_____	34	4	Ø 3"xØ 1"x1/2" Rubber Bumper
_____	35	4	Collars
_____	36	4	3/8"x3/8" Screw
_____	37	4	Guide Rods
_____	38	4	Head Plate Bushing
_____	39	2	Head Plate
_____	40	2	20 Hole Selector Stem
_____	41	40	10 Pound Weight Plate
_____	42	80	Plate Bushing
_____	43	2	Pin
_____	44	2	Spring Column Pin
_____	45	1	York Nameplate
_____	46	1	Warning Label
_____	47	1	Warranty Card
_____	48	1	Serial # Sticker
_____	49	1	Hardware Card
_____	50	1	Assembly Instruction



REV. 08/08/2007

****IF PARTS ARE MISSING, DO NOT CALL THE STORE WHERE YOU PURCHASED THIS ITEM - THEY DO NOT STOCK PARTS.
PLEASE CONTACT YORK BARBELL CUSTOMER SERVICE AT (800)358-9675 OR (717)767-6481**