

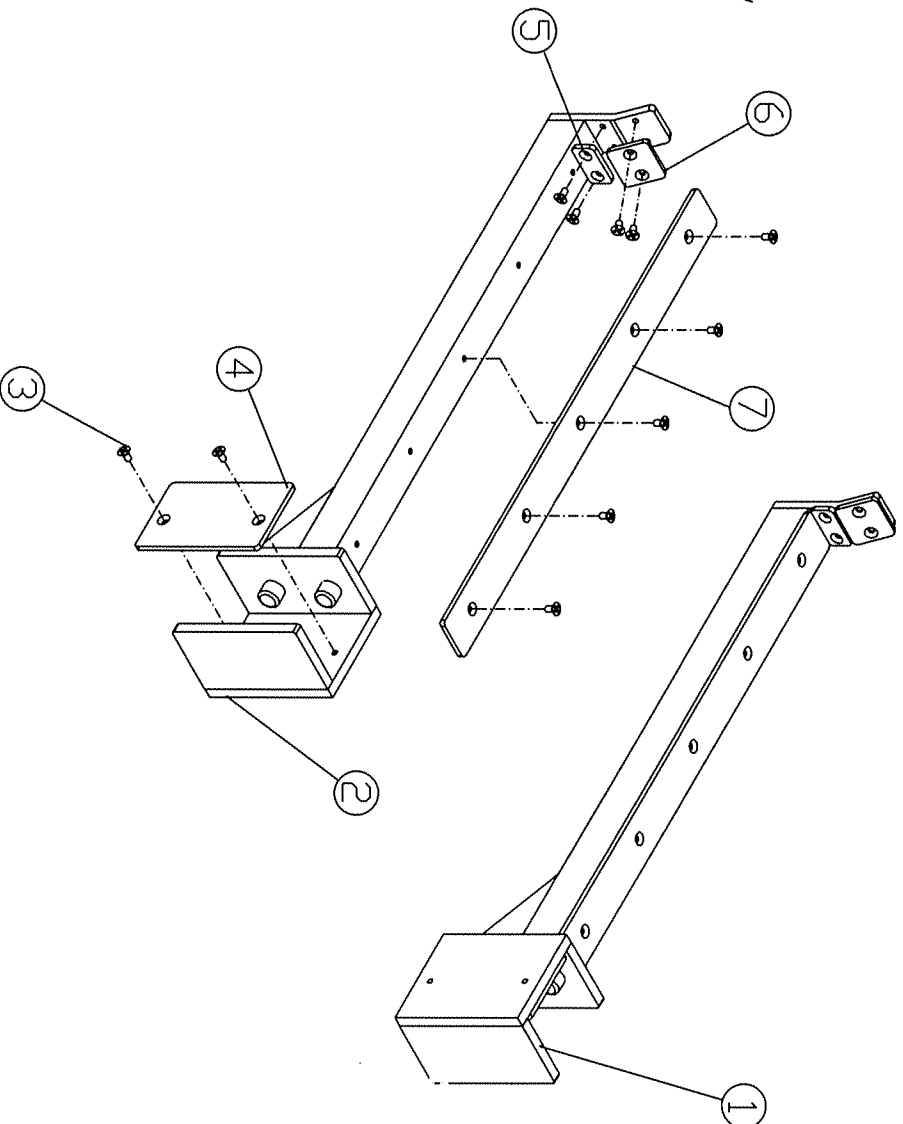


STRENGTH TRAINING SERIES SAFETY SPOT ARMS
No. 54011 BLACK

CHECK ITEM QTY DESCRIPTION

1	1	Right Safety Spot Arm
2	1	Left Safety Spot Arm
3	22	1/4"x1/2" Phillips Flat Head Screw
4	2	Side Plastic Board
5	2	Vertical Plastic Board
6	2	End Plastic Board
7	2	Long Plastic Board
8	1	Warranty Card
9	1	Serial # Sticker

REV. 08/08/2007



**IF PARTS ARE MISSING, DO NOT CALL THE STORE WHERE YOU PURCHASED THIS ITEM - THEY DO NOT STOCK PARTS.
 PLEASE CONTACT YORK BARBELL CUSTOMER SERVICE AT (800)358-9675 OR (717)767-6481