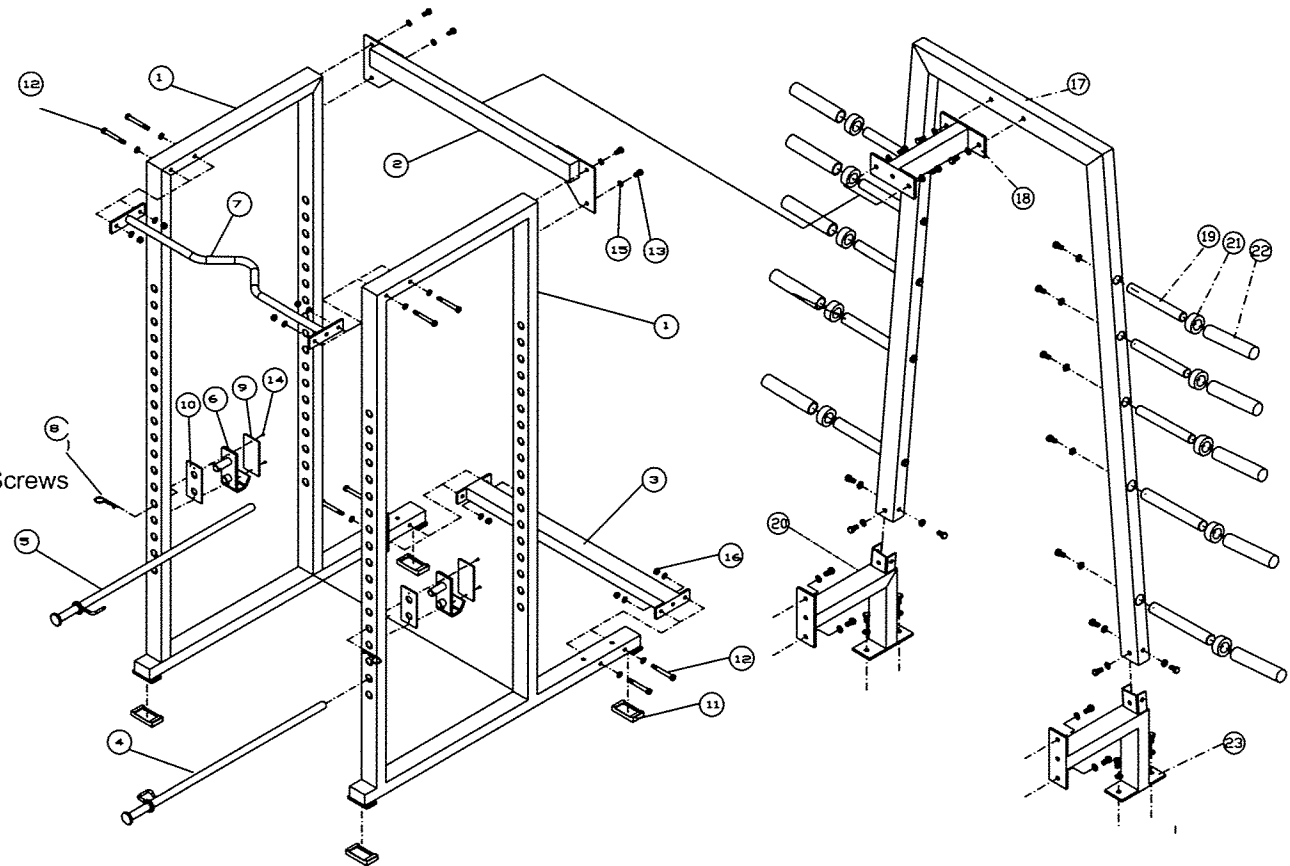




STRENGTH TRAINING SERIES POWER RACK W/WEIGHT STORAGE

No. 54030 WHITE 55030 SILVER

| Check | Item | Qty | Description |
|-------|------|-----|-------------------------------------|
| _____ | 1 | 2 | Upright Frames |
| _____ | 2 | 1 | Top Beam |
| _____ | 3 | 1 | Base Frame |
| _____ | 4 | 1 | Left Safe Shaft |
| _____ | 5 | 1 | Right Safe Shaft |
| _____ | 6 | 2 | Weight Holders |
| _____ | 7 | 1 | Handle Frame |
| _____ | 8 | 2 | Spring Pins |
| _____ | 9 | 2 | Front Plastic Boards |
| _____ | 10 | 2 | Rear Plastic Boards |
| _____ | 11 | 4 | 4-7/16" x 2-1/4" Foot Pads |
| _____ | 12 | 8 | 1/2" x 4-1/4" Bolts |
| _____ | 13 | 32 | 1/2" x 1" Bolts |
| _____ | 14 | 10 | 1/4" x 1/2" Allen Subsidence Screws |
| _____ | 15 | 48 | 1/2" Flatwashers |
| _____ | 16 | 8 | 1/2" Nylon Locknuts |
| _____ | 17 | 1 | Doorframe |
| _____ | 18 | 1 | Connector frame |
| _____ | 19 | 10 | Barbell Axis |
| _____ | 20 | 1 | Left Side Frame |
| _____ | 21 | 10 | Rubber Doughnut |
| _____ | 22 | 10 | Barbell Sleeve |
| _____ | 23 | 1 | Right Side Frame |
| _____ | 24 | 1 | Large York Nameplate |
| _____ | 25 | 1 | Warning Label |
| _____ | 26 | 1 | Warranty Packet |
| _____ | 27 | 1 | Serial # Sticker |
| _____ | 28 | 1 | Hardware Card |
| _____ | 29 | 1 | Assembly Instruction |



REV. 08/08/2007

****IF PARTS ARE MISSING, DO NOT CALL THE STORE WHERE YOU PURCHASED THIS ITEM - THEY DO NOT STOCK PARTS. PLEASE CONTACT YORK BARBELL CUSTOMER SERVICE AT (800)358-9675 OR (717)767-6481**