

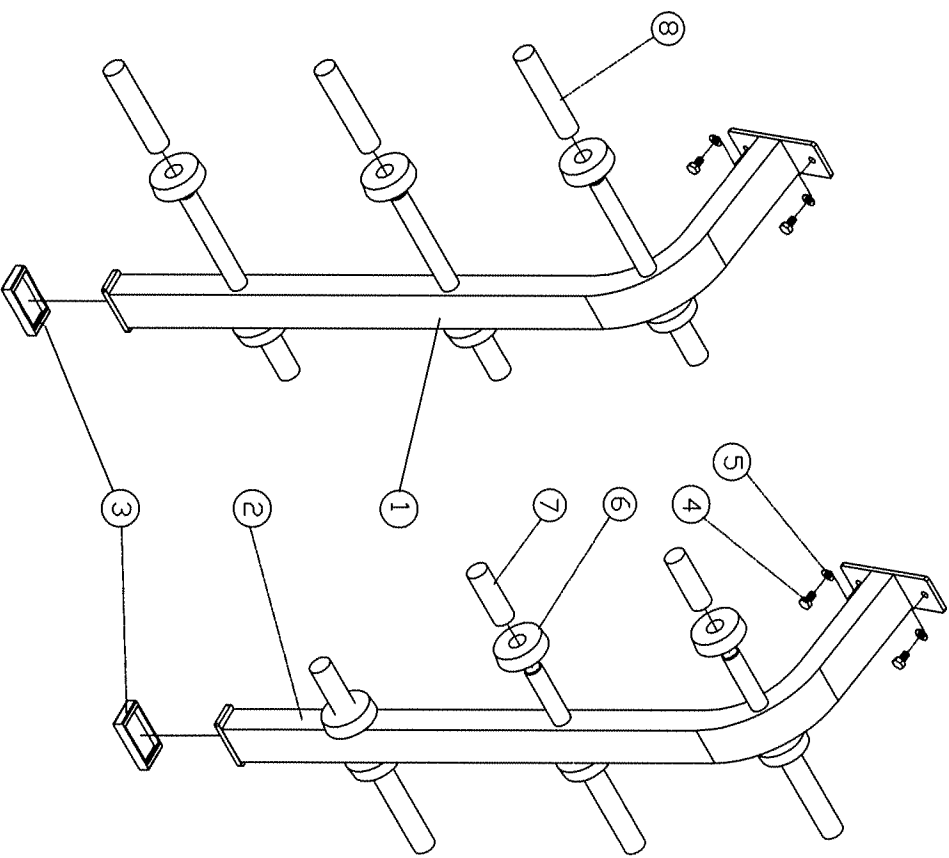


**BASIC TRAINING SERIES OPTIONAL WEIGHT STORAGE  
AVAILABLE FOR ALL OLYMPIC BENCHES**

**No. 54042 WHITE      55042 SILVER  
54142 BLACK**

<u>CHECK</u>	<u>ITEM</u>	<u>QTY</u>	<u>DESCRIPTION</u>
	1	1	Left Barbell Rack
	2	1	Right Barbell Rack
	3	2	4-7/16"x2-1/4"Foot Pad
	4	4	1/2"x1"Bolt
	5	4	1/2"Flatwasher
	6	12	Ø 2-5/8"Rubber Bumper
	7	6	Ø 1-9/16"xØ 1-1/4"x4-1/2"Plastic Tube
	8	6	Ø 1-9/16"xØ 1-1/4"x7-1/2"Plastic Tube
	9	2	Large York Decal
	10	1	Warning Label
	12	1	Warranty Card
	13	1	Hardware Card
	14	1	Serial # Sticker

REV. 06/16/2009



**\*\*IF PARTS ARE MISSING, DO NOT CALL THE STORE WHERE YOU PURCHASED THIS ITEM - THEY DO NOT STOCK PARTS.  
PLEASE CONTACT YORK BARBELL CUSTOMER SERVICE AT (800)358-9675 OR (717)767-6481**