

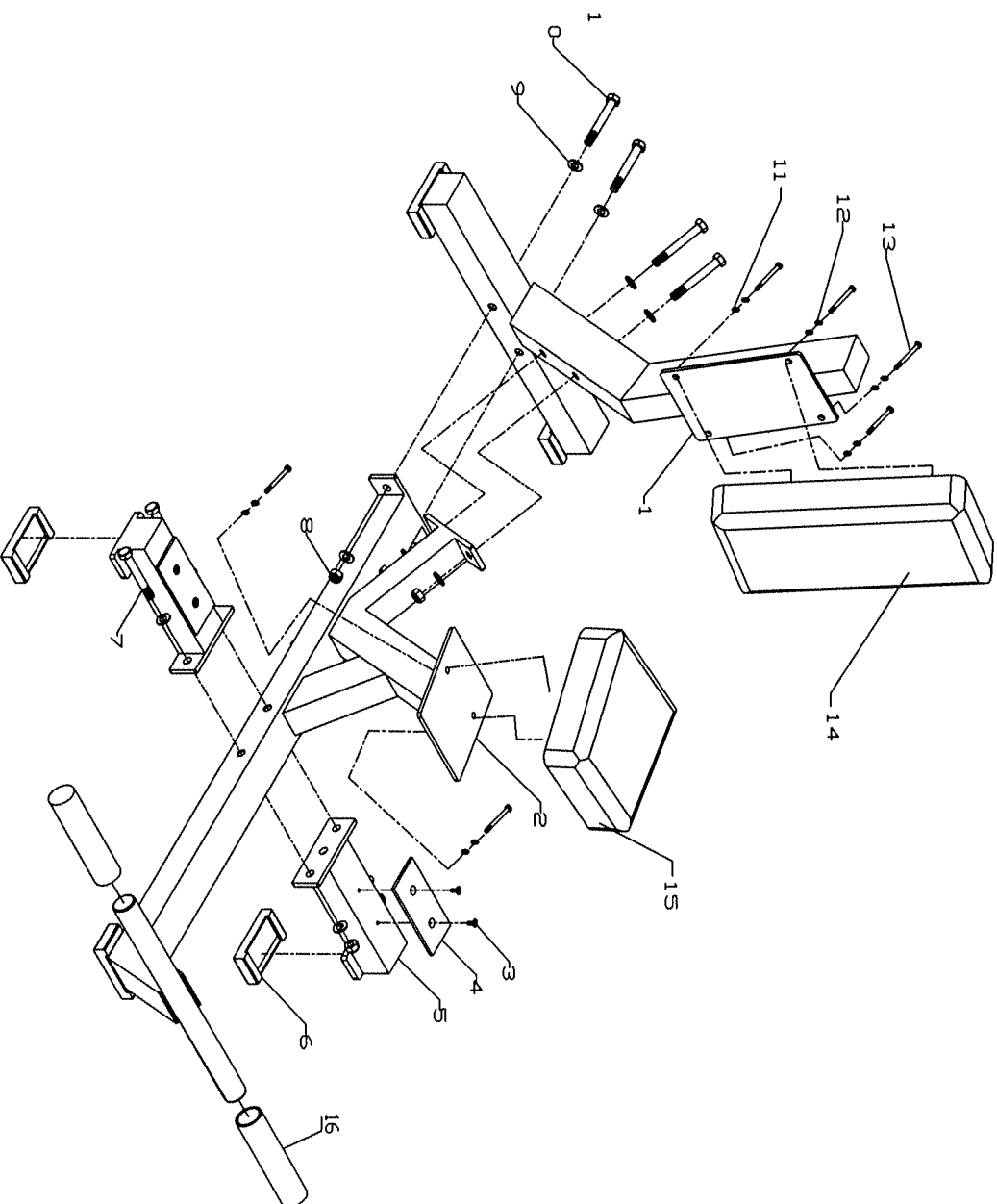


STRENGTH TRAINING SERIES MULTI PURPOSE BENCH
No. 54037 WHITE 55037 SILVER

CHECK ITEM QTY DESCRIPTION

ITEM	QTY	DESCRIPTION
1	1	Back Pad Frame
2	1	Seat Pad Frame
3	4	1/4"x1/2"Flat Head Screw
4	2	Plastic Board
5	2	Base Frame
6	5	4-7/16"x2-1/4" Foot Pad
7	2	1/2"x4-1/2" Bolt
8	6	1/2" Nylon Locknut
9	12	1/2" Flatwasher
10	4	1/2"x4-1/4" Bolt
11	6	5/16" Flatwasher
12	6	5/16" Lockwasher
13	6	5/16"x1-5/8" Bolt
14	1	Back Pad
15	1	Seat Pad
16	2	Hand Grips
17	1	Large York Logo
18	1	Warning Label
19	1	Warranty Card
20	1	Serial # Sticker
21	1	Hardware Card
22	1	Assembly Instruction

REV. 08/08/2007



****IF PARTS ARE MISSING, DO NOT CALL THE STORE WHERE YOU PURCHASED THIS ITEM - THEY DO NOT STOCK PARTS. PLEASE CONTACT YORK BARBELL CUSTOMER SERVICE AT (800)358-9675 OR (717)767-6481**