



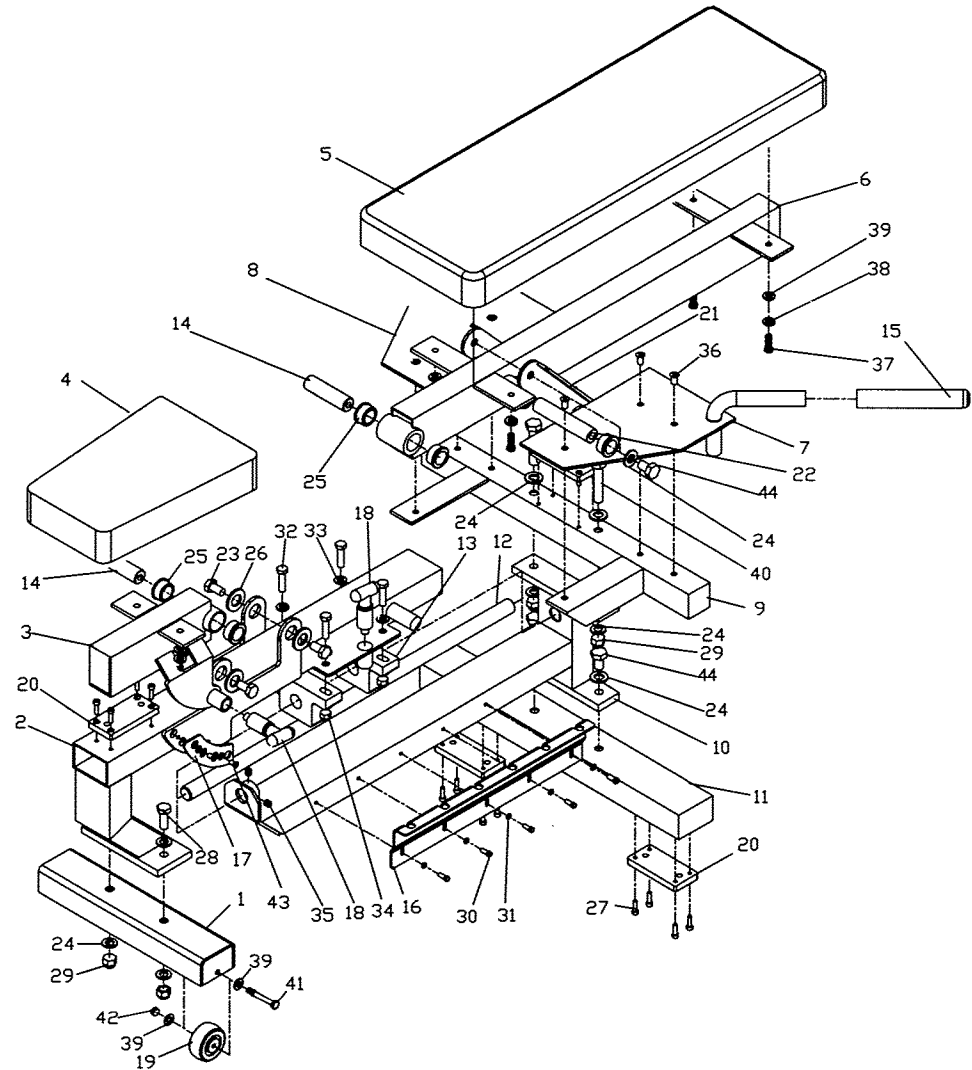
STRENGTH TRAINING SERIES MULTI-FUNCTION BENCH NO.54004 WHITE 55004 SILVER

CHECK ITEM QTY DESCRIPTION

| | | | |
|-----|----|----|---------------------------------|
| ___ | 1 | 1 | Front Base Frame |
| ___ | 2 | 1 | Main Frame |
| ___ | 3 | 1 | Seat Pad Frame |
| ___ | 4 | 1 | Seat Pad |
| ___ | 5 | 1 | Back Pad |
| ___ | 6 | 1 | Back Pad Frame |
| ___ | 7 | 1 | Right Spotting Plate |
| ___ | 8 | 1 | Left Spotting Plate |
| ___ | 9 | 1 | Spotting Plate Frame |
| ___ | 10 | 1 | Cross Frame |
| ___ | 11 | 1 | Rear Base Frame |
| ___ | 12 | 1 | Guide Rod |
| ___ | 13 | 2 | Bearing Block |
| ___ | 14 | 2 | Pin |
| ___ | 15 | 2 | 1" Handgrip |
| ___ | 16 | 1 | Length Adjustment Plate |
| ___ | 17 | 1 | Seat Adjustment Plate |
| ___ | 18 | 2 | Pop Pin |
| ___ | 19 | 2 | Wheel |
| ___ | 20 | 4 | Foot Pad |
| ___ | 21 | 1 | Back Pad Adjustment Frame |
| ___ | 22 | 1 | Back Pad Adjustment Shaft |
| ___ | 23 | 4 | 1/2"x1" Bolt |
| ___ | 24 | 12 | 1/2" Flatwasher |
| ___ | 25 | 6 | Brass Bushing |
| ___ | 26 | 4 | 1/2" Large Flatwasher |
| ___ | 27 | 18 | 1/4"x13/16" Allen Bolts |
| ___ | 28 | 2 | 1/2"x1-1/2" Bolt |
| ___ | 29 | 4 | 1/2" Nylon Locknut |
| ___ | 30 | 5 | 1/4"x5/8" Bolts |
| ___ | 31 | 5 | 1/4" Flatwasher |
| ___ | 32 | 4 | 3/8"x1-3/4" Bolt |
| ___ | 33 | 8 | 15/16"x7/16"x1/16" Flatwasher |
| ___ | 34 | 4 | 3/8" Nylon Locknut |
| ___ | 35 | 2 | 3/8"x3/8" Allen Bolts |
| ___ | 36 | 6 | 3/8"x1/2" Allen Flat Head Bolts |
| ___ | 37 | 6 | 5/16"x1-1/4" Bolt |
| ___ | 38 | 6 | 5/16" Lockwasher |

CHECK ITEM QTY DESCRIPTION

| | | | |
|-----|----|----|----------------------|
| ___ | 39 | 10 | 5/16" Flatwashers |
| ___ | 40 | 2 | 1/2"x3-1/4" Bolts |
| ___ | 41 | 2 | 5/16"x2-1/2" Bolts |
| ___ | 42 | 2 | 5/16" Nylon Locknut |
| ___ | 43 | 2 | 1/4"x1/2" Bolt |
| ___ | 44 | 4 | 1/2"x1-1/4" Bolts |
| ___ | 45 | 1 | York Nameplate |
| ___ | 46 | 1 | Warning Label |
| ___ | 47 | 1 | Warranty Card |
| ___ | 48 | 1 | Serial # Sticker |
| ___ | 49 | 1 | Hardware Card |
| ___ | 50 | 1 | Assembly Instruction |



REV. 08/08/2007

**IF PARTS ARE MISSING, DO NOT CALL THE STORE WHERE YOU PURCHASED THIS ITEM - THEY DO NOT STOCK PARTS
PLEASE CONTACT YORK BARBELL CUSTOMER SERVICE AT (800)358-9675 OR (717)767-6481