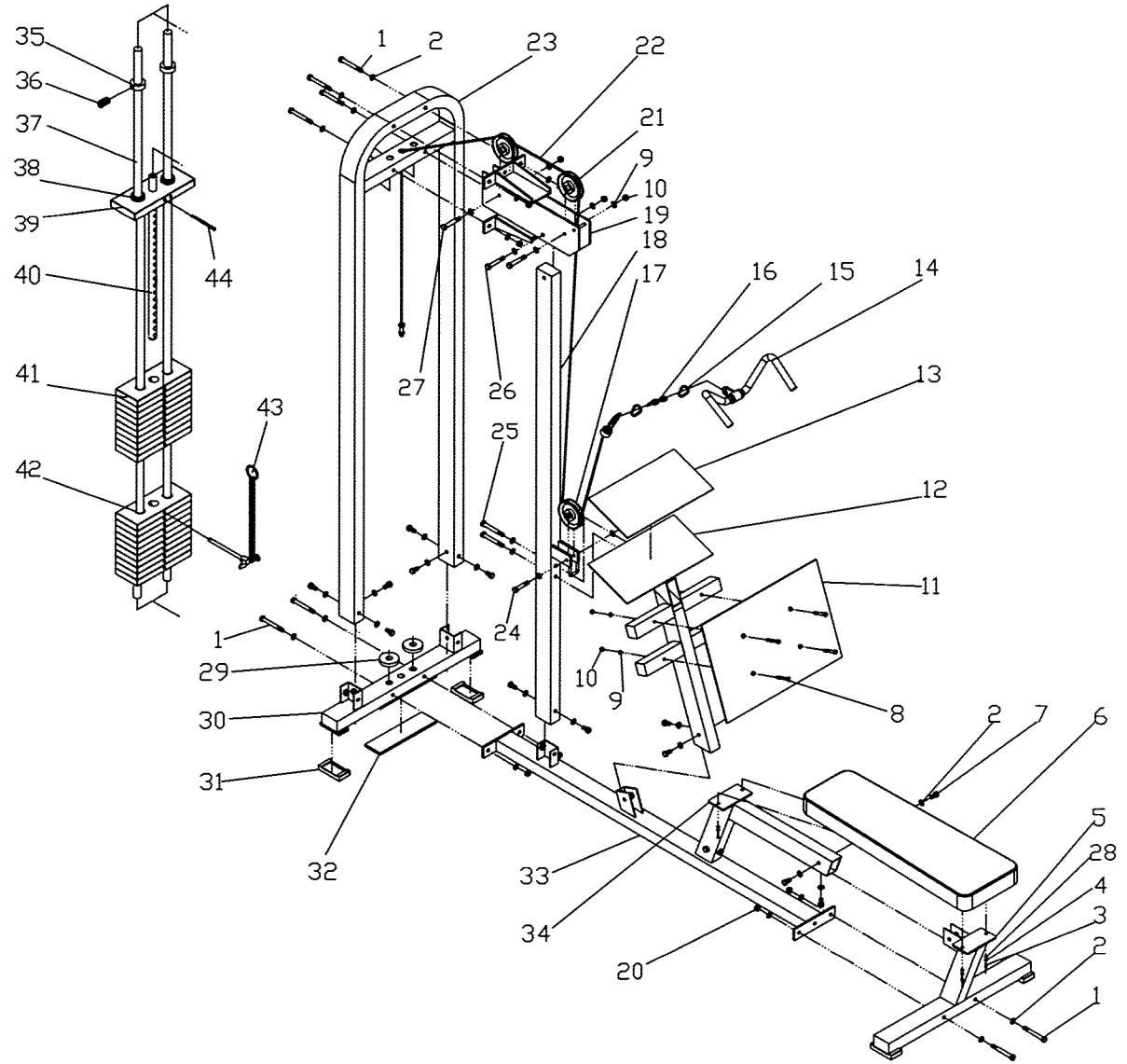




STRENGTH TRAINING SERIES LOW ROW

NO.54019 WHITE 55019 SILVER

CHECK	ITEM	QTY	DESCRIPTION
_____	1	8	1/2" x 4-1/4" Bolt
_____	2	37	1/2" Flatwasher
_____	3	4	5/16" x 1-1/2" Bolt
_____	4	4	5/16" Lockwasher
_____	5	1	Front Base Frame
_____	6	1	Seat Pad
_____	7	17	1/2" x 3/4" Bolt
_____	8	4	3/8" x 2-5/8" Allen Flat Head Bolt
_____	9	10	3/8" Flatwasher
_____	10	7	3/8" Nylon Locknut
_____	11	1	Foot Pedal
_____	12	1	Pedal Frame
_____	13	1	Rubber Board
_____	14	1	Low Row Bar
_____	15	2	Hook
_____	16	1	Chain
_____	17	1	4-1/2" x 1" Pulley
_____	18	1	Front Upright Frame
_____	19	1	Upper Frame
_____	20	9	1/2" Nylon lock nuts
_____	21	2	4-1/2" x 2" Pulley
_____	22	1	Cable
_____	23	1	Back Upright Frame
_____	24	1	3/8" x 2-3/4" Bolt
_____	25	2	1/2" x 4" Bolts
_____	26	1	1/2" x 3-1/4" Bolt
_____	27	2	3/8" x 3-1/4" Bolt
_____	28	4	5/16" Flatwasher
_____	29	2	Rubber Bumper
_____	30	1	Back Base Frame
_____	31	4	4-7/16" x 2-1/4" Foot Pad
_____	32	1	12" x 3" Rubber Bumper
_____	33	1	Cross Frame
_____	34	1	Seat Pad Frame
_____	35	2	Collars
_____	36	2	3/8"x3/8"Screw
_____	37	2	Guide Rods
_____	38	2	Head Plate Bushing
_____	39	1	Head Plate
_____	40	1	20 Hole Selector Stem
_____	41	20	15 Pound Weight Plate
_____	42	40	Plate Bushing
_____	43	1	Pin
_____	44	1	Sping Column Pin
_____	45	1	York Nameplate
_____	46	1	Warning Label
_____	47	1	Warranty Card
_____	48	1	Serial # Stick
_____	49	1	Hardware Card
_____	50	1	Assembly Instruction



Rev.08/08/2007

****IF PARTS ARE MISSING, DO NOT CALL THE STORE WHERE YOU PURCHASED THIS ITEM - THEY DO NOT STOCK PARTS. PLEASE CONTACT YORK BARBELL CUSTOMER SERVICE AT (800)358-9675 OR (717)767-6481**