

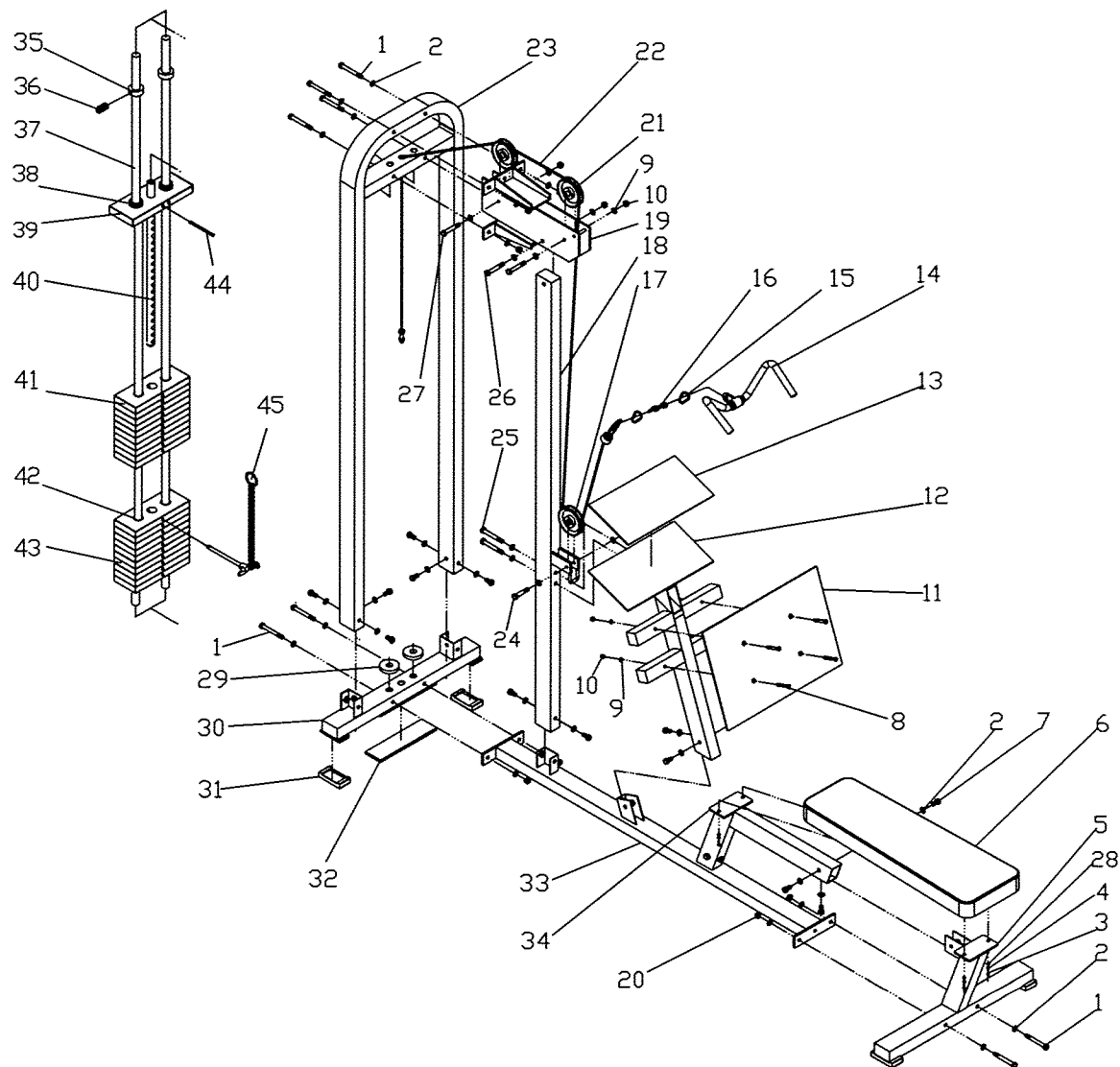


# STRENGTH TRAINING SERIES LOW ROW

NO.54018 WHITE 55018 SILVER

**CHECK ITEM QTY DESCRIPTION**

CHECK	ITEM	QTY	DESCRIPTION
___	1	8	1/2" x 4-1/4" Bolt
___	2	37	1/2" Flatwasher
___	3	4	5/16" x 1-1/2" Bolt
___	4	4	5/16" Lockwasher
___	5	1	Front Base Frame
___	6	1	Seat Pad
___	7	17	1/2" x 3/4" Bolt
___	8	4	3/8" x 2-5/8" Allen Flat Head Bolt
___	9	10	3/8" Flatwasher
___	10	7	3/8" Nylon Locknut
___	11	1	Foot Pedal
___	12	1	Pedal Frame
___	13	1	Rubber Board
___	14	1	Low Row Bar
___	15	2	Hook
___	16	1	Chain
___	17	1	4-1/2" x 1" Pulley
___	18	1	Front Upright Frame
___	19	1	Upper Frame
___	20	9	1/2" Nylon lock nuts
___	21	2	4-1/2" x 2" Pulley
___	22	1	Cable
___	23	1	Back Upright Frame
___	24	1	3/8" x 2-3/4" Bolt
___	25	2	1/2" x 4" Bolts
___	26	1	1/2" x 3-1/4" Bolt
___	27	2	3/8" x 3-1/4" Bolt
___	28	4	5/16" Flatwasher
___	29	2	Rubber Bumper
___	30	1	Back Base Frame
___	31	4	4-7/16" x 2-1/4" Foot Pad
___	32	1	12" x 3" Rubber Bumper
___	33	1	Cross Frame
___	34	1	Seat Pad Frame
___	35	2	Collars
___	36	2	3/8"x3/8" Screw
___	37	2	Guide Rods
___	38	2	Head Plate Bushing
___	39	1	Head Plate
___	40	1	20 Hole Selector Stem
___	41	10	10 Pound Weight Plate
___	42	40	Plate Bushing
___	43	10	15 Pound Weight Plate
___	44	1	Spring Column Pin
___	45	1	Pin
___	46	1	York Nameplate
___	47	1	Warning Label
___	48	1	Warranty Card
___	49	1	Serial # Stick
___	50	1	Hardware Card
___	51	1	Assembly Instruction



Rev.08/08/2007

**\*\*IF PARTS ARE MISSING, DO NOT CALL THE STORE WHERE YOU PURCHASED THIS ITEM - THEY DO NOT STOCK PARTS. PLEASE CONTACT YORK BARBELL CUSTOMER SERVICE AT (800)358-9675 OR (717)767-6481**