

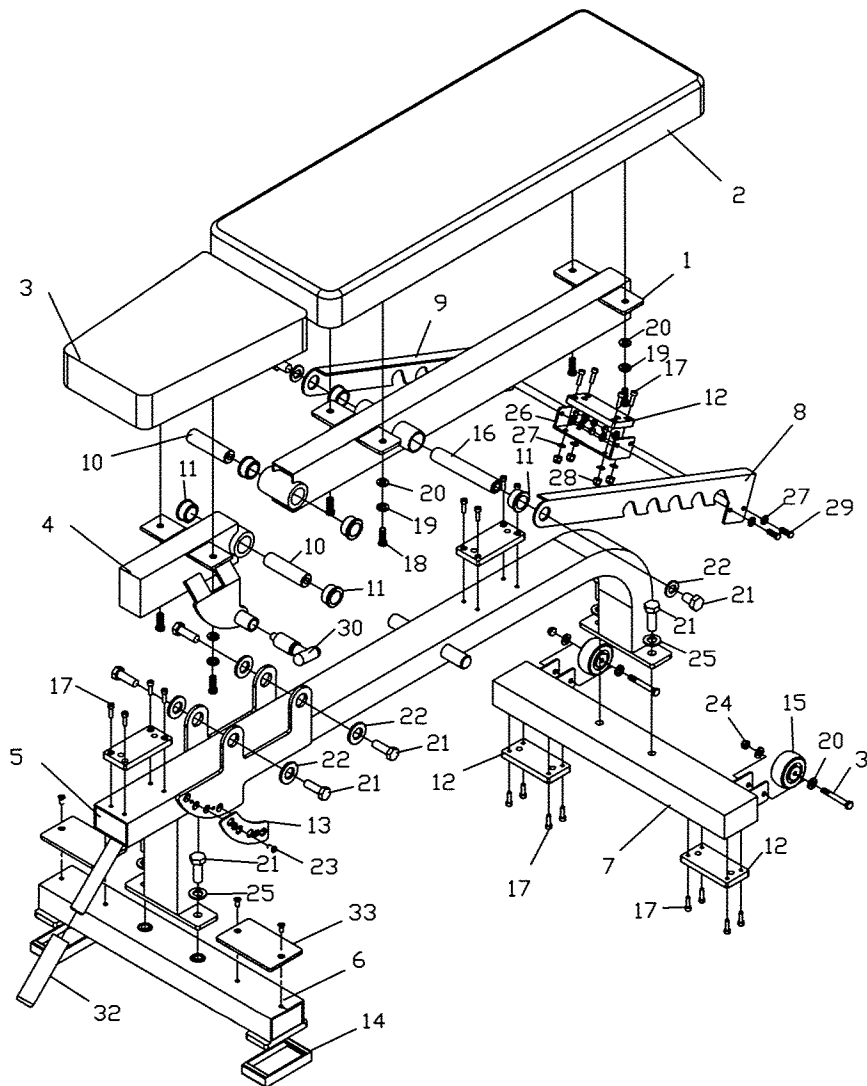


STRENGTH TRAINING SERIES FLAT/INCLINE BENCH

No. 54027 WHITE 55027 SILVER

CHECK ITEM QTY DESCRIPTION

___	1	1	Back Pad Frame
___	2	1	Back Pad
___	3	1	Seat Pad
___	4	1	Seat Pad Frame
___	5	1	Main Frame
___	6	1	Front Base Frame
___	7	1	Back Base Frame
___	8	1	Left Adjustment Rack
___	9	1	Right Adjustment Rack
___	10	2	1/2"xØ 1"x3-5/8"Pin
___	11	6	Brass Bushing
___	12	5	Plastic Board
___	13	1	Adjustment Plate
___	14	2	4-7/16"x2-1/4"Foot Pad
___	15	2	Rolling Wheel
___	16	1	1/2"xØ 1"x5-13/16"Pin
___	17	20	1/4"x3/4Allen Bolt
___	18	6	5/16"x1-1/4"Bolt
___	19	6	5/16"Lockwasher
___	20	10	5/16"Flatwasher
___	21	10	1/2"x1"Bolt
___	22	6	Ø 1-1/2"xØ 1/2"Washer
___	23	8	1/4"x1/2"Cross Flat Head Screw
___	24	2	5/16"Nylon locknut
___	25	4	1/2"Flatwasher
___	26	1	Long U-shaped Bracket
___	27	12	1/4"Flatwasher
___	28	8	1/4"Nylon locknut
___	29	4	1/4"x3/4"Bolt
___	30	1	Pop Pin
___	31	2	5/16"x2-1/4"Bolt
___	32	1	15/16"Handgrip
___	33	2	Plastic Boards
___	34	1	York Nameplate
___	35	1	Warning Label
___	36	1	Warranty Card
___	37	1	Serial # Sticker
___	38	1	Hardware Card
___	39	1	Assembly Instruction



REV. 08/08/2007

****IF PARTS ARE MISSING, DO NOT CALL THE STORE WHERE YOU PURCHASED THIS ITEM - THEY DO NOT STOCK PARTS
PLEASE CONTACT YORK BARBELL CUSTOMER SERVICE AT (800)358-9675 OR (717)767-6481**