



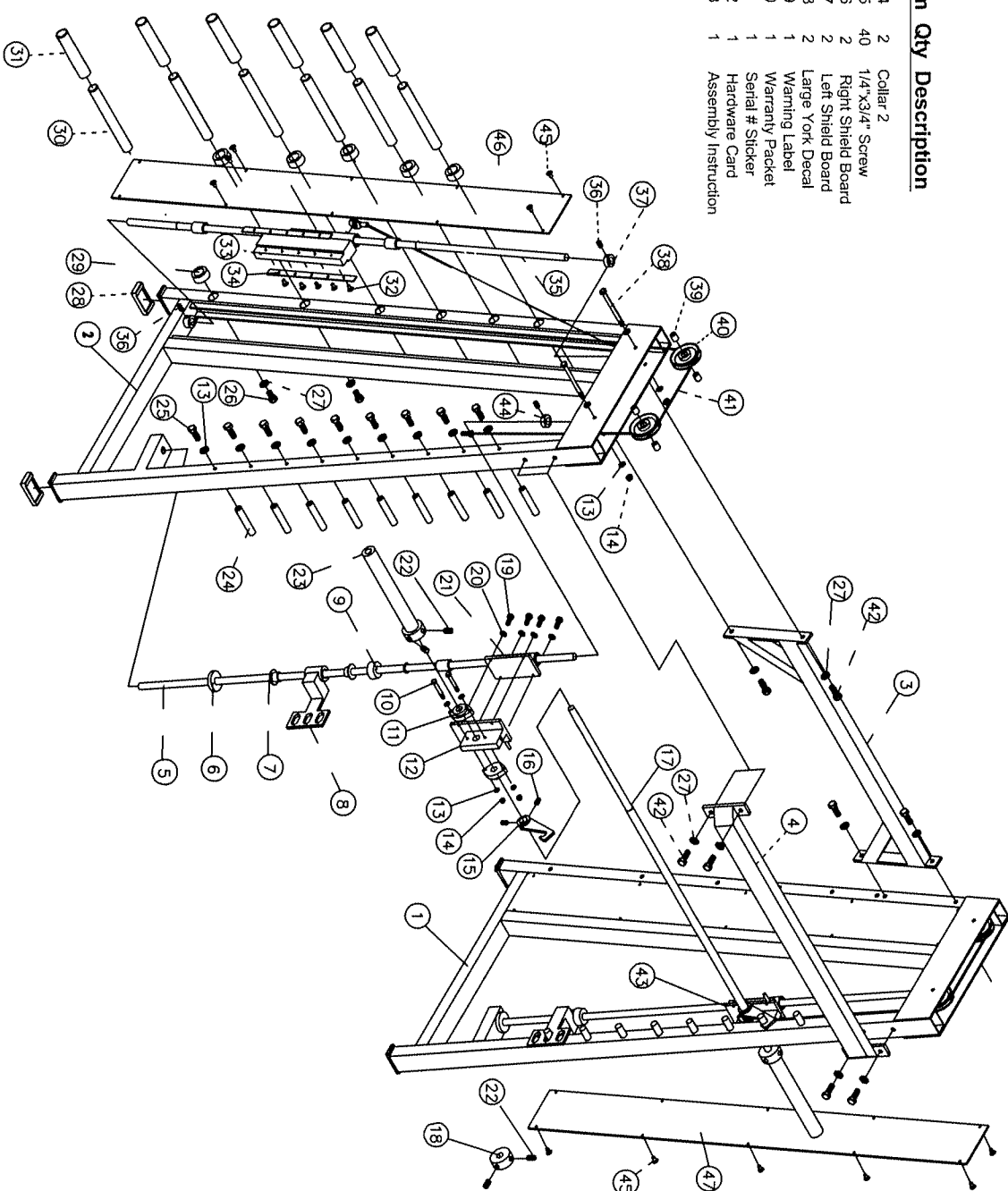
**STRENGTH TRAINING SERIES COUNTER BALANCED SMITH MACHINE**  
**No. 54033 WHITE 55033 SILVER**

**Check Item Qty Description**

1	1	Left Side Frame
2	1	Right Side Frame
3	1	Back Beam Frame
4	1	Front Beam Frame
5	2	Front Leader
6	2	Rubber Doughnut1
7	4	Brass Bushing
8	2	Safety Arm
9	2	Rubber Doughnut2
10	4	3/8"x3"Bolt
11	4	Bearing
12	1	Right Barbell Rack
13	34	3/8"Flat washer
14	8	3/8"Nylon Locknut
15	2	Pothook Rack
16	4	3/8"x3/4" Screw
17	1	Barbell Rod
18	8	Block Cover
19	8	1/4"x1"Bolt
20	8	1/4"Flat washer
21	2	Barbell Guide Rack
22	8	Fastness Bolt
23	2	Barbell Sleeve 1
24	18	Safety Mast
25	18	3/8"x1"Bolt
26	14	1/2"x1"Bolt
27	22	1/2"Flatwasher
28	4	Foot Pad
29	4	Rubber Doughnut 3
30	12	Barbell Axis
31	12	Barbell Sleeve 2
32	20	1/4"x1"Subsidence Bolt
33	2	Balance Rack
34	4	Protect Board
35	2	Back Leader
36	8	3/8"x3/8"Screw
37	8	Collar 1
38	4	3/8"x4-1/2"Bolt
39	8	Pulley4-1/2"
40	4	Pulley4-1/2"
41	2	Cable
42	8	1/2"x1-1/2"Bolt
43	1	Left Barbell Rack

**Check Item Qty Description**

44	2	Collar 2
45	40	1/4"x3/4" Screw
46	2	Right Shield Board
47	2	Left Shield Board
48	2	Large York Decal
49	1	Warning Label
50	1	Warranty Packet
51	1	Serial # Sticker
52	1	Hardware Card
53	1	Assembly Instruction



REV. 08/08/2007

**\*\*IF PARTS ARE MISSING, DO NOT CALL THE STORE WHERE YOU PURCHASED THIS ITEM - THEY DO NOT STOCK PARTS. PLEASE CONTACT YORK BARBELL CUSTOMER SERVICE AT (800)358-9675 OR (717)767-6481**