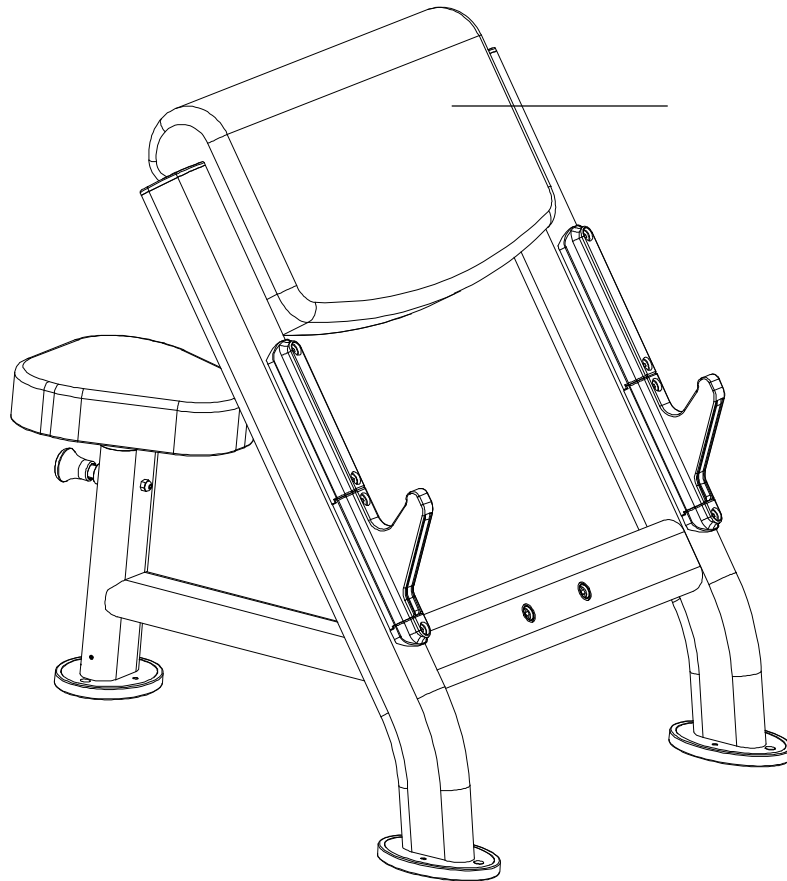




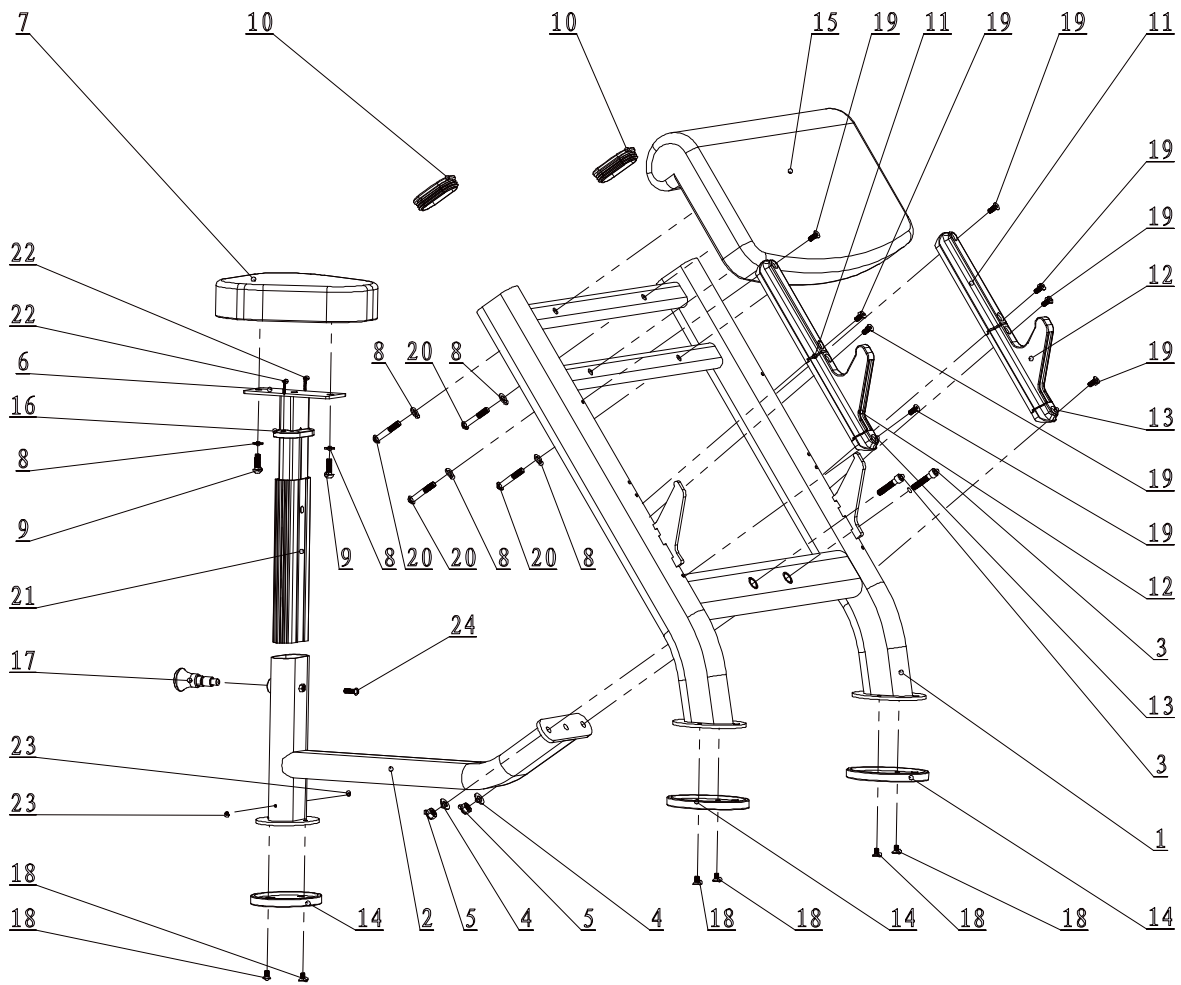
MODEL # BNCH-PB
TAG PREACHER BENCH
ASSEMBLY INSTRUCTIONS



PARTS LIST

<i>PART NO</i>	<i>PART NAME</i>	<i>QUANTITY</i>
1	ArmFrame	1
2	Seat Support Frame	1
3	Hex Bolt M12*60	2
4	Washer Φ 13.5* Φ 24*2.5	2
5	Nut M12	2
6	Seat Adjustable Frame	1
7	Seat Pad	1
8	Washer Φ 11* Φ 20*2	6
9	Hex Bolt M10*30	2
10	End cap PT50*100	2
11	Upper cover 220*50*34	2
12	Cover 183*114*50	2
13	Lower cover 37*50*34	2
14	Foot 169*129*16	3
15	Arm pad 670*360*70	1
16	Sleeve cap 50*100	1
17	Knob	1
18	Hex bolt M8*15	6
19	Hex bolt M8*20	8
20	Hex bolt M10*60	4
21	Sleeve 94.4*44.8*320	1
22	Screw ST4.2*25	2
23	Screw M6*6	2
24	Hex bolt M8*25	1

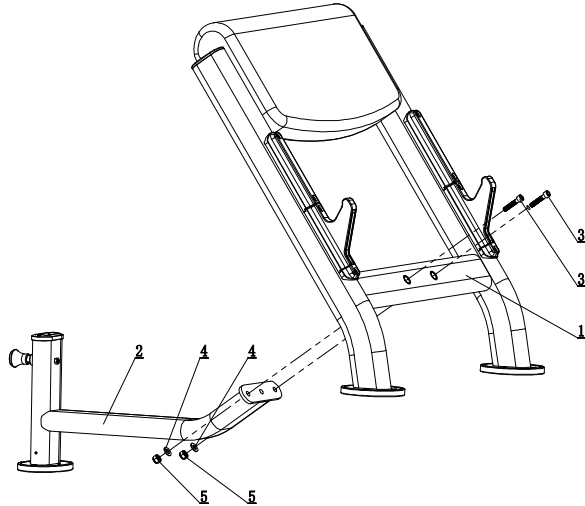
PREACHER BENCH



ASSEMBLY

STEP 1

Assembly ArmFrame (1) and Seat Support Frame(2), using 2 Hex Bolt M12*60 (3) ,2 Washer Φ 13.5* Φ 24*2.5(4) and 2 Nut M12(5).Then tight them.



STEP 2

1. Fix Seat Pad(7) to Seat Adjustable Frame(6), using 2 Hex Bolt M10*30(9) and 2 Washer Φ 11* Φ 20*2 (8) ,then tight them.
2. Put Seat Adjustable Frame(6) into Seat Support Frame (2) ,and install Hex bolt M8*25(24) as limit.

