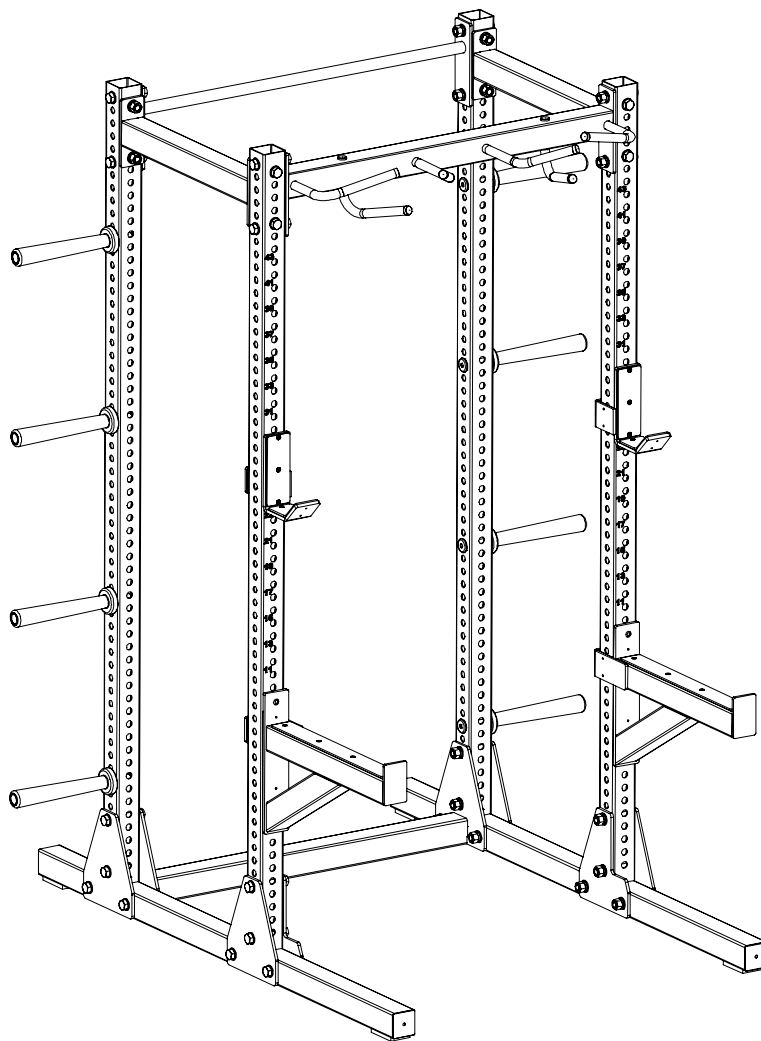




MODEL # TAG 6'x8' Half Rack

ASSEMBLY INSTRUCTIONS



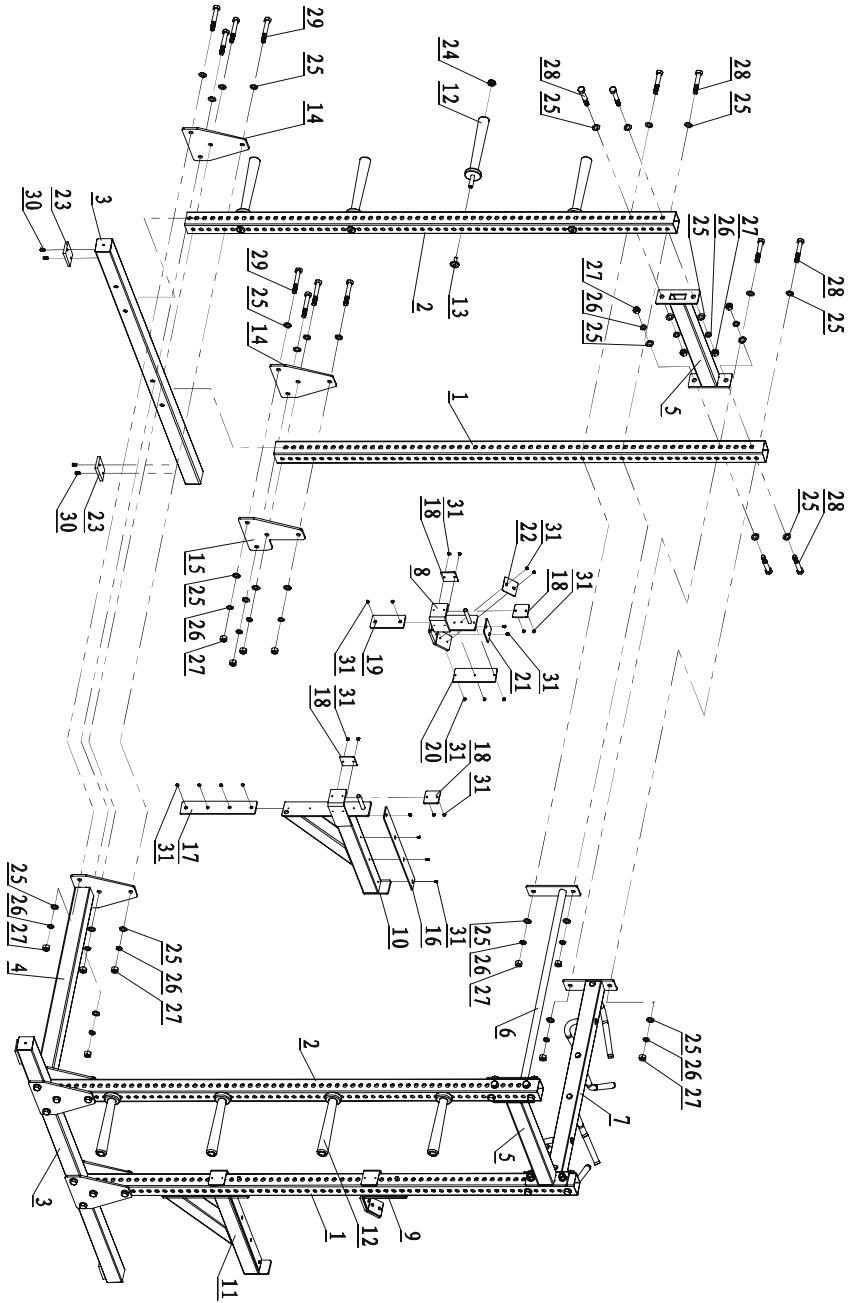
www.tagfitness.net

630-375-1500

PARTS LIST

NO.	Description	Q'ty	NO.	Description	Q'ty
1	Front Upright Frame	2	17	Plastic Cover 360*70*5	2
2	Rear Upright Frame	2	18	Plastic Cover 70*70*5	8
3	Base Fame	2	19	Plastic Cover 160*70*5	2
4	Rear Cross Frame	1	20	Plastic Cover 205*76*5	2
5	Cross Frame	2	21	Plastic Cover 85*76*5	2
6	Upper Cross Frame	1	22	Plastic Cover 76*70*5	2
7	Front Cross Frame	1	23	Rubber Foot	4
8	J-Hook (Left)	1	24	End CapΦ32*2	8
9	J-Hook (Right)	1	25	Flat Washer Φ20*Φ34*3	64
10	Left Safety Frame	1	26	Spring Washer Φ18	32
11	Right Safety Frame	1	27	Nut M18	32
12	Plate Storage Holder	8	28	Hex Bolt M18*110	16
13	Lock Nut Φ40*M12*41	8	29	Hex Bolt M18*120	16
14	Outer Fixing plate	4	30	Allen Bolt M8*15	8
15	Inner Fixing plate	2	31	Allen Bolt M6*10	50
16	Plastic Cover 570*65*5	2			

Exploded Drawing

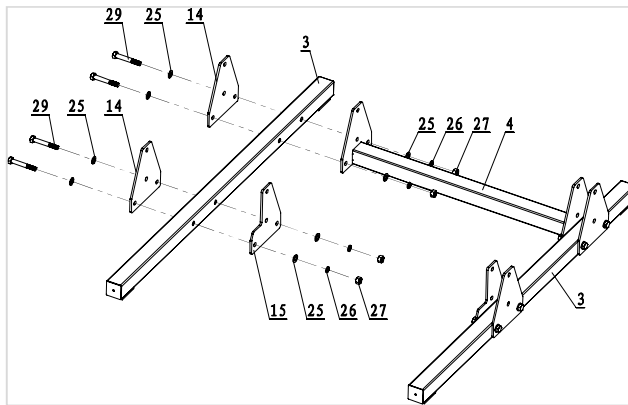


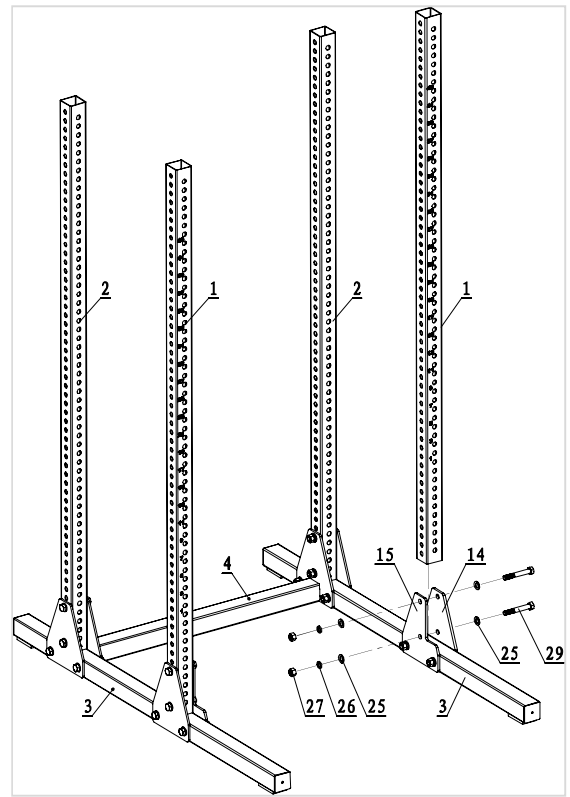
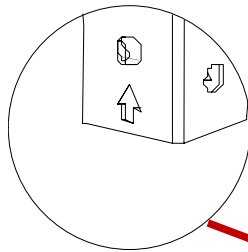
Assembly

Step 1

Assemble Base Frame (3) and Rear Cross Frame (4), fixing with outer fixing plate (14) and Inner fixing plate(15) using Flat Washer $\Phi 20 \times \Phi 34 \times 3$ (25) , Spring Washer $\Phi 18$ (26),Nut M18(27) and Hex Bolt M18*120(29).

Please don't tighten all bolts in this step.





Step 2

Assemble Upright Frame (1&2) on the finished assembly from step 1, using Flat Washer $\Phi 20 \times \Phi 34 \times 3$ (25), Spring Washer $\Phi 18$ (26), Nut M18(27) and Hex Bolt M18*120(29).

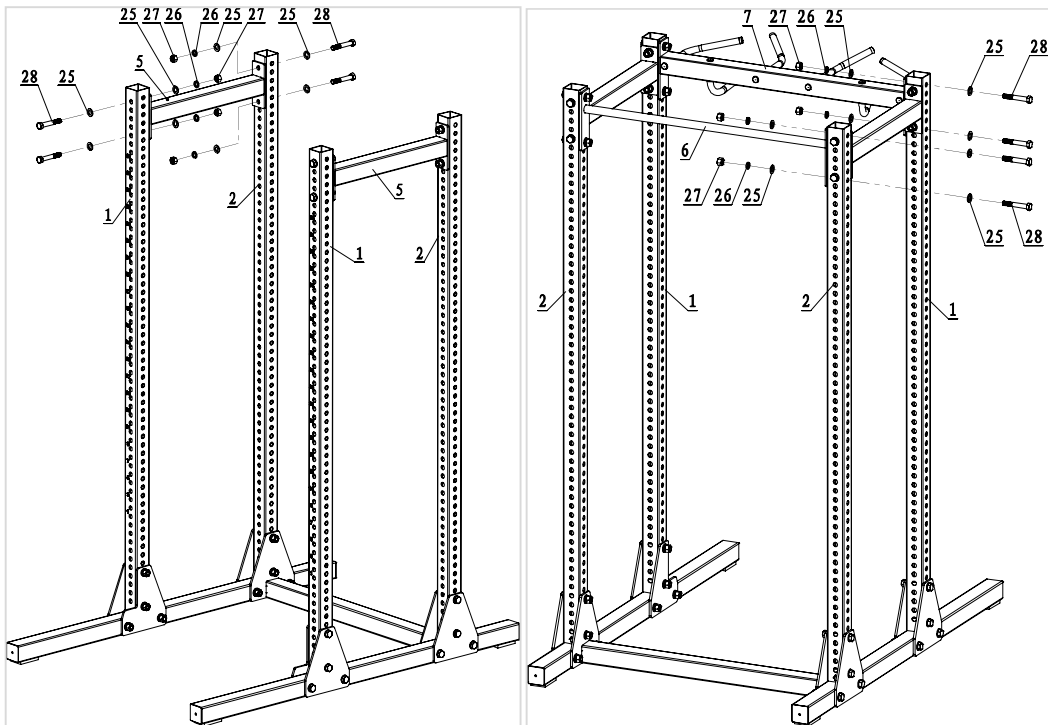
Please note the 'ARROW' in the end of rear upright should face front or rear. The side with number in front upright should always face front.

Please don't tighten all bolts in this step.

Step 3

Assemble Cross Frame(5) and Upright Frame (1&2) using Flat Washer $\Phi 20*\Phi 34*3$ (25) ,
Spring Washer $\Phi 18$ (26),Nut M18(27) and Hex Bolt M18*110(28).

Please tighten all the bolts in the above steps.



Step 4

Install Upper Cross Frame (6) and Front Cross Frame (7) to Upright Frame (1&2) using Flat Washer $\Phi 20 \times \Phi 34 \times 3$ (25), Spring Washer $\Phi 18$ (26), Nut M18(27) and Hex Bolt M18*110(28). **Please tighten all the bolts.**

Step 5

Install Plate Storage Holder (12) to Back Upright Frame (2) using Lock Nut $\Phi 40 \times M12 \times 41$ (13); Put J-Hook (8&9), Safety Frame (10&11) on right position.

