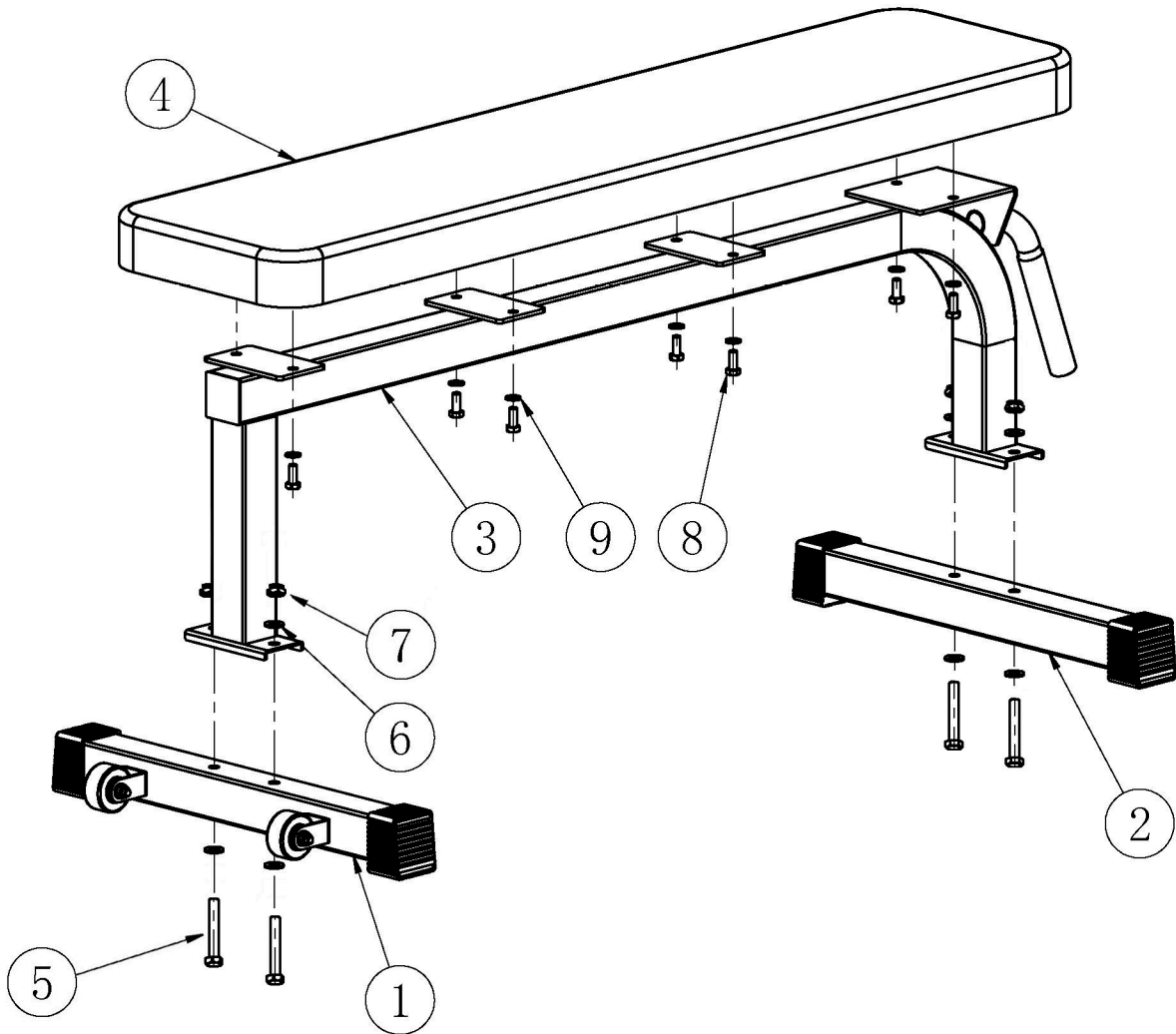


# **SYNERGEE<sup>®</sup>** **FLAT BENCH**



NO.	DESCRIPTION	Q'TY
1	Rear Foot	1
2	Front Foot	2
3	Main Frame	1
4	Cushion	1
5	Hex Bolt(M10*65)	4
6	Washer (Φ10)	8
7	Nut (M10)	4
8	Hex Bolt(M8*20)	8
9	Washer (Φ8)	8