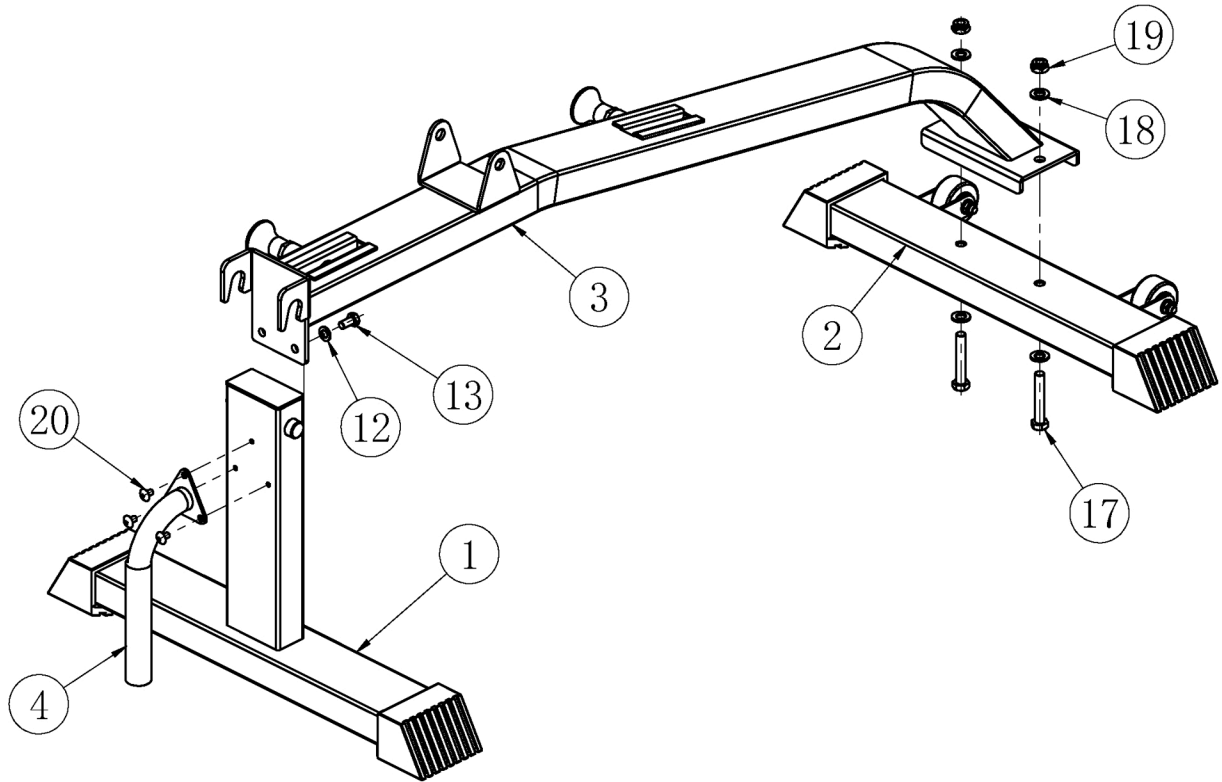


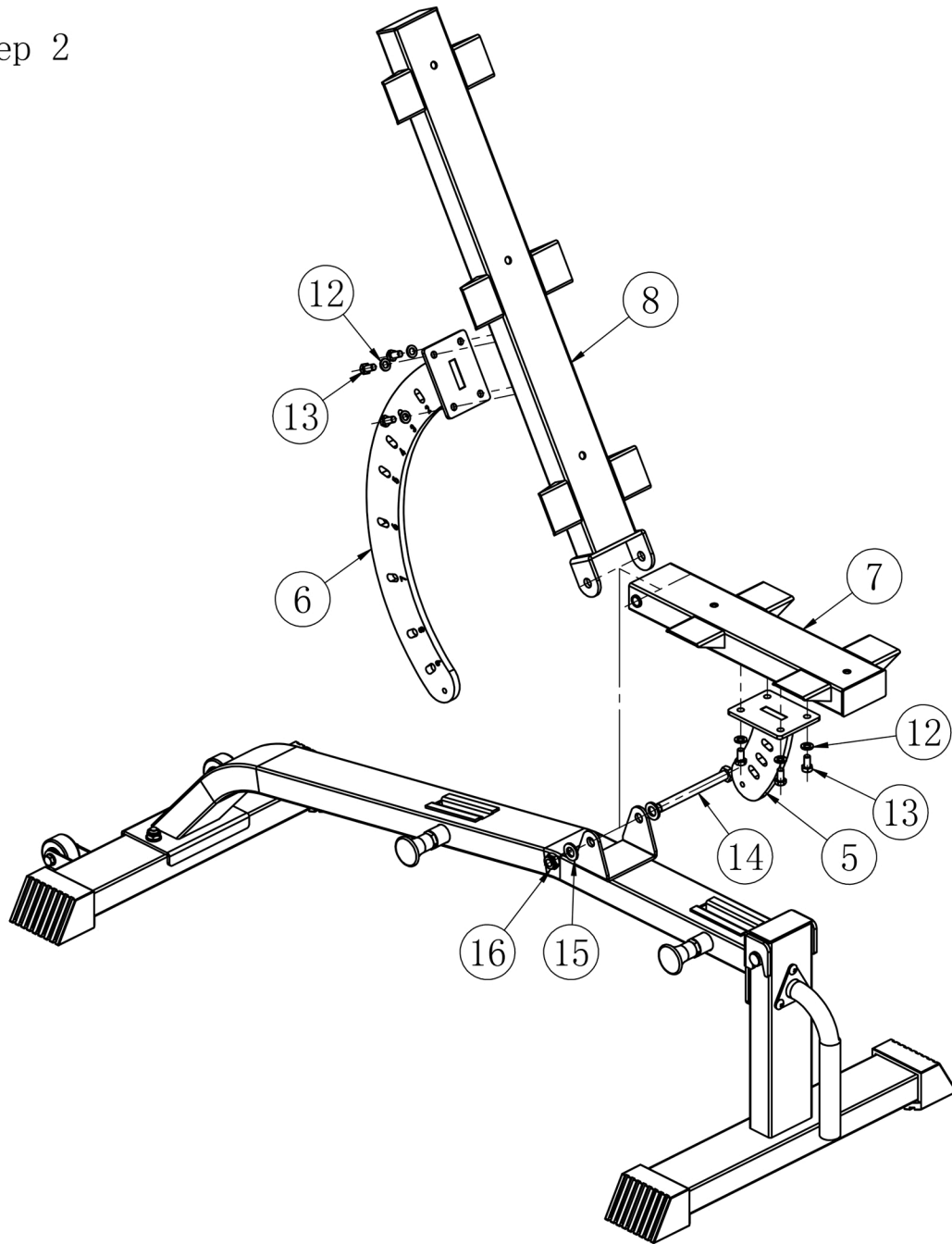
SYNERGEE[®] **ADJUSTABLE BENCH**

Step 1



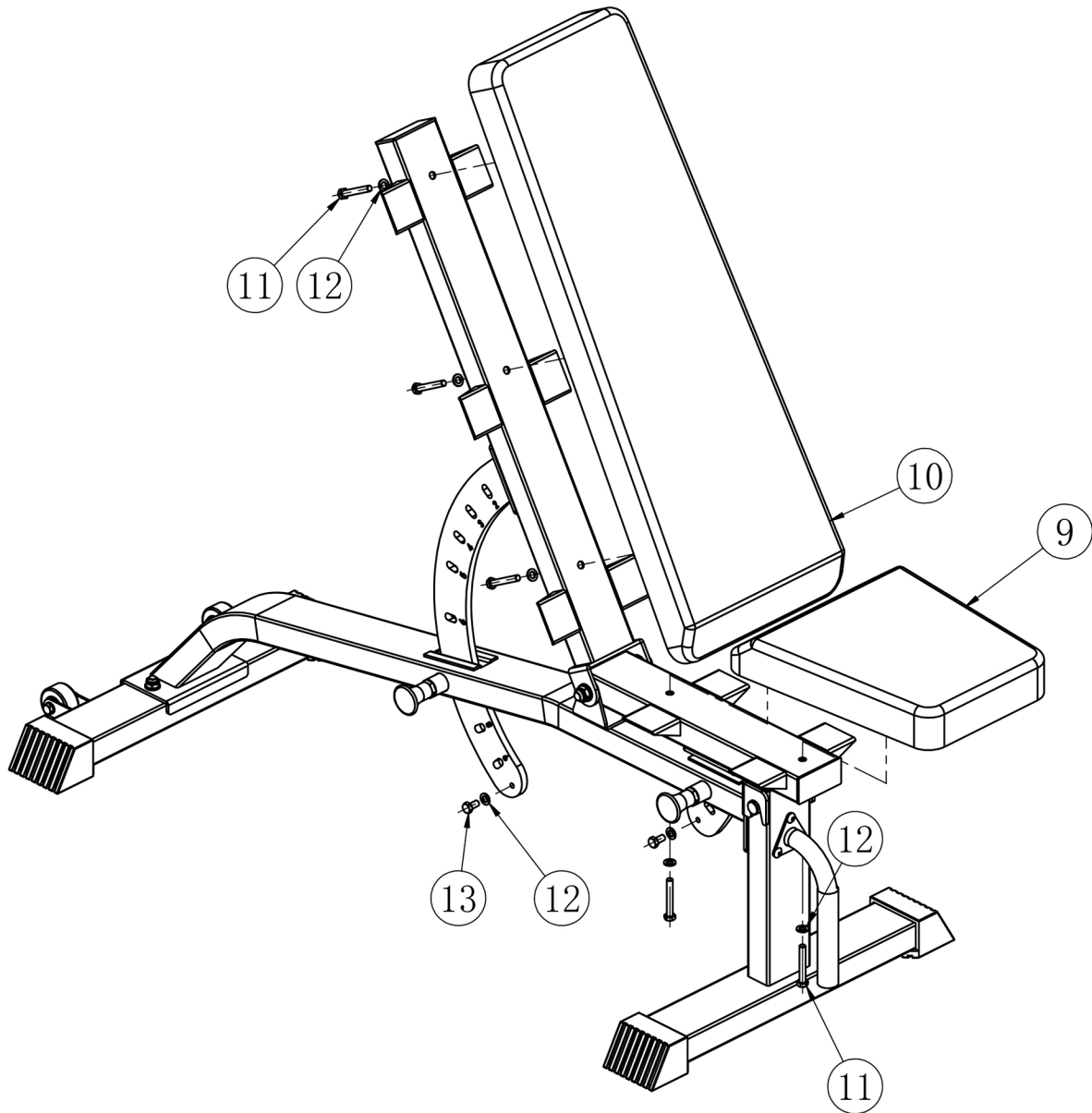
NO.	DESCRIPTION	Q'TY
1	Front Foot	1
2	Rear Foot	1
3	Main Frame	1
4	Handlebar	1
12	Washer ($\Phi 8$)	2
13	Hex Bolt (M8*16)	2
17	Hex Bolt (M10*60)	2
18	Washer ($\Phi 10$)	4
19	Nut (M10)	2
20	Cross Large Flat Head Screw (M6*10)	3

Step 2



NO.	DESCRIPTION	Q'TY
5	Seat Cushion Adjustable	1
6	Back Cushion Adjustable	1
7	Seat Cushion Tube	1
8	Back Cushion Tube	1
12	Washer ($\Phi 8$)	8
13	Hex Bolt (M8*16)	8
14	Hex Bolt (M12*125)	1
15	Washer ($\Phi 12$)	2
16	Nut (M12)	1

Step 3



NO.	DESCRIPTION	Q'TY
9	Seat Cushion	1
10	Back Cushion	1
11	Hex Bolt (M8*55)	5
12	Washer (Φ8)	7
13	Hex Bolt (M8*16)	2