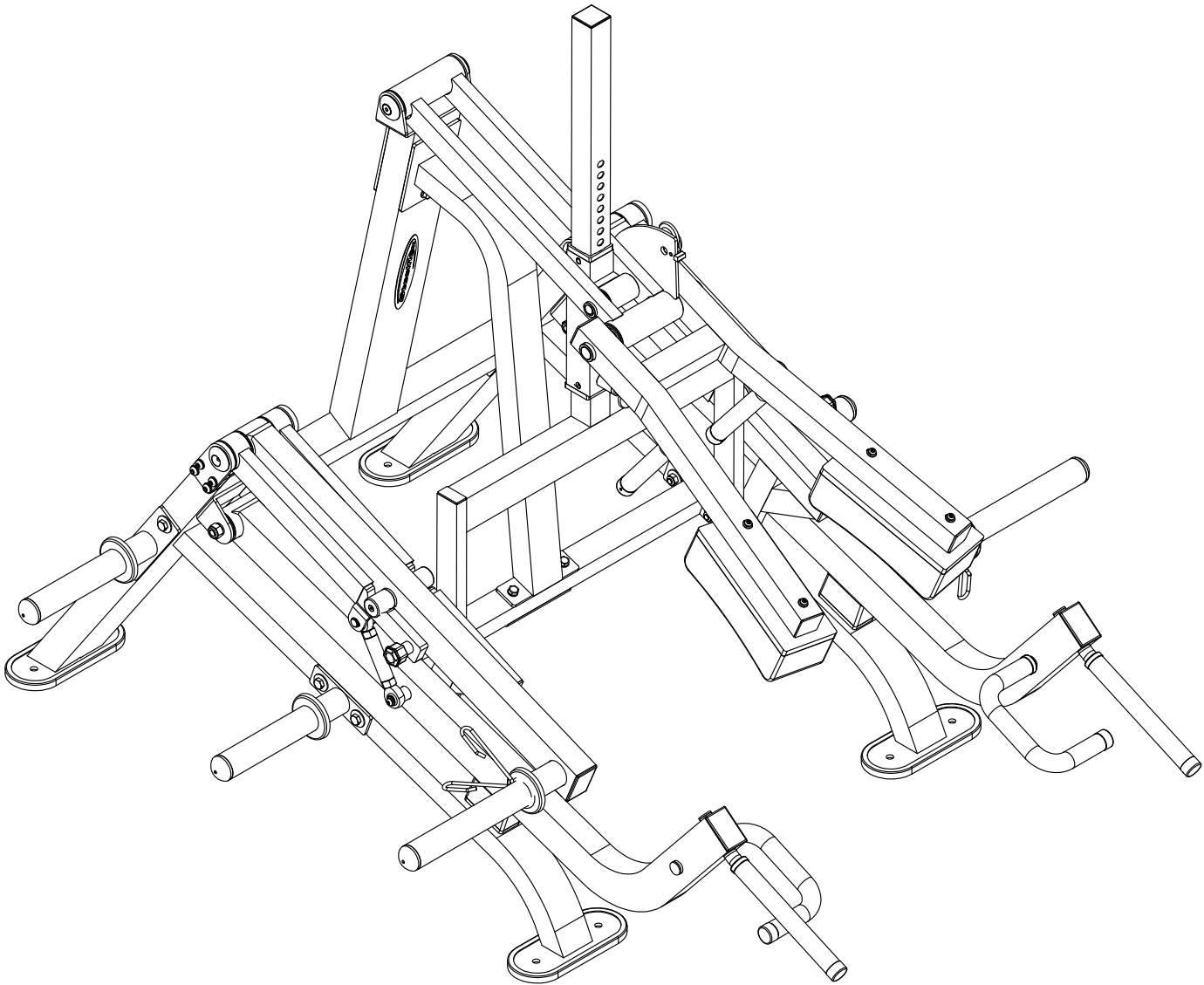




PL2300



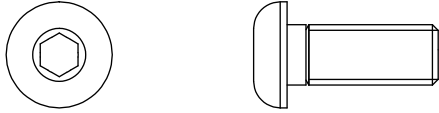
Assembly & Instructions
OWNER'S & MANUAL

PL2300 HARDWARE
(shown in actual size)

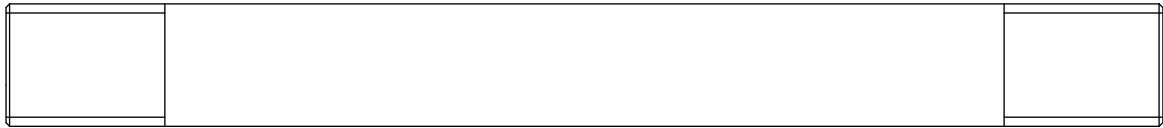
A1.M8X10L SOCKET SCREW (FULL THREAD)...2PCS(pre-installed)



A2.M8X20L ALLEN SCREW...4PCS(pre-installed)



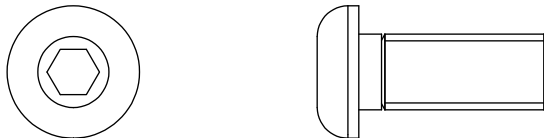
A3.M16X153L STUD (8260-088)...2PCS



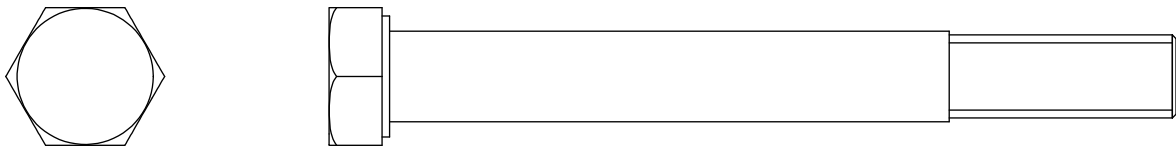
A4.M10X20L THE CONE INNER SIX ANGLE SCREW...6PCS



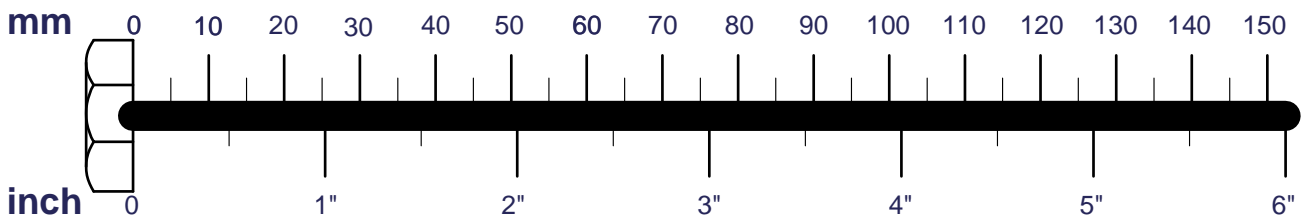
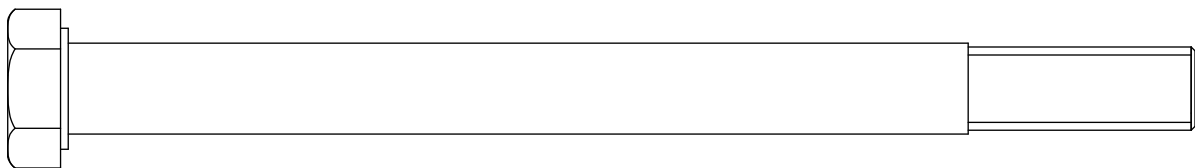
A5.M10X25L ALLEN SCREW...16PCS



A6.M12X105L HEX HEAD SCREW...4PCS



A7.M12X150L HEX HEAD SCREW...4PCS

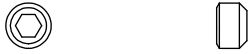


PL2300 HARDWARE
(shown in actual size)

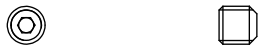
A8.M8X55L SOCKET SCREW (FULL THREAD)...4PCS



A9.M6X5L GRUB SCREW ...4PCS(Pre-installed)



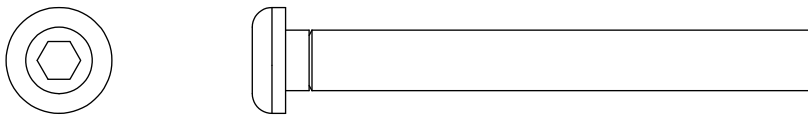
A10.M5X5L GRUB SCREW ...24PCS(Pre-installed)



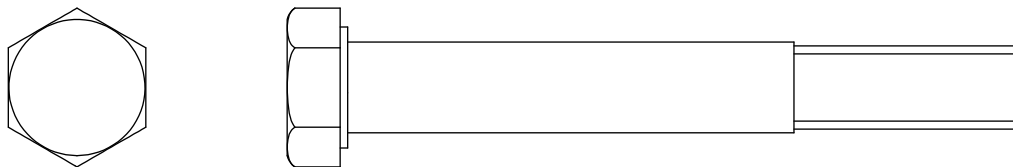
A11.M8X12L THE CONE INNER SIX ANGLE SCREW...2PCS(Pre-installed)



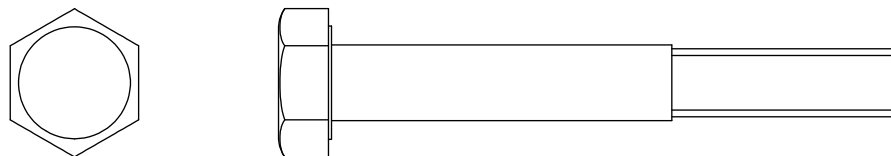
A12.M8X70L ALLEN SCREW...4PCS



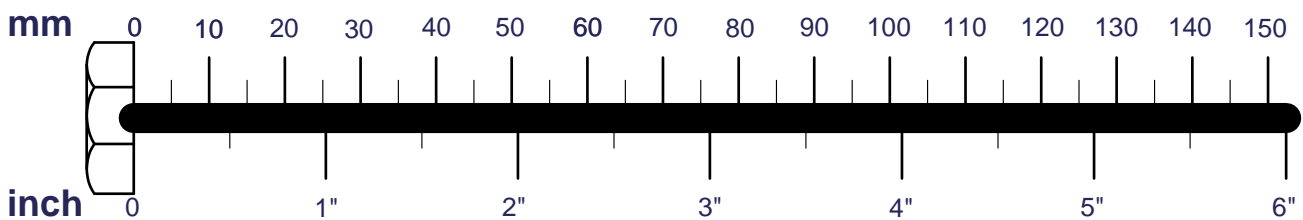
A13.M12X90L HEX HEAD SCREW...2PCS



A14.M10X75L HEX HEAD SCREW...2PCS

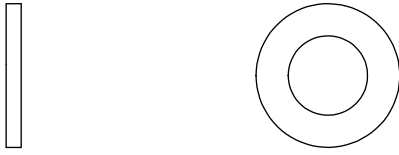


A15.M6X15L THE CONE INNER SIX ANGLE SCREW...4PCS(Pre-installed)

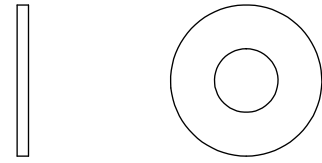


PL2300 HARDWARE
(shown in actual size)

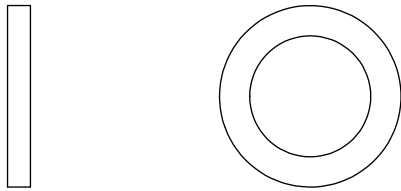
C1.M10 WASHER (Ø19)...20PCS



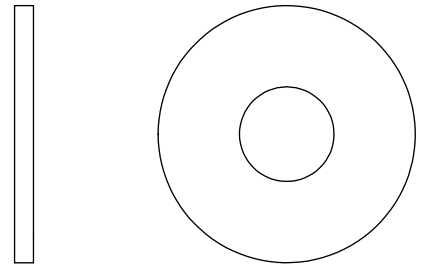
C2.M8 WASHER (Ø20)...8PCS
(pre-installed 4pcs)



C3.M16 WASHER (Ø24X3T)...4PCS



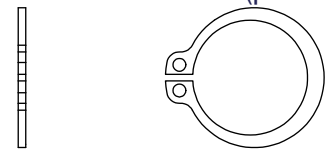
C4.M12 WASHER (Ø25)...20PCS



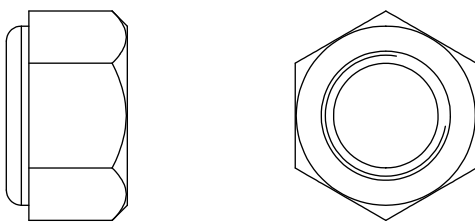
C5.M8 SPRING WASHER...8PCS
(pre-installed 4pcs)



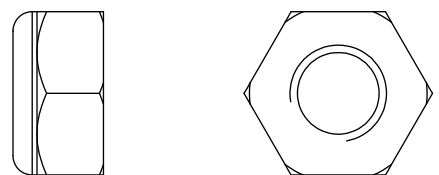
C6.TYPE C RETAINING RING(Ø15)...4PCS
(pre-installed)



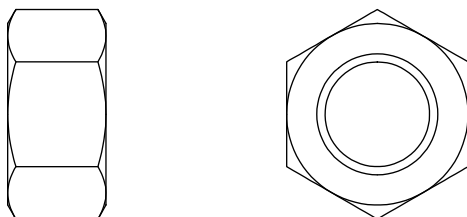
B1.M16 NYLON LOCK NUT...4PCS



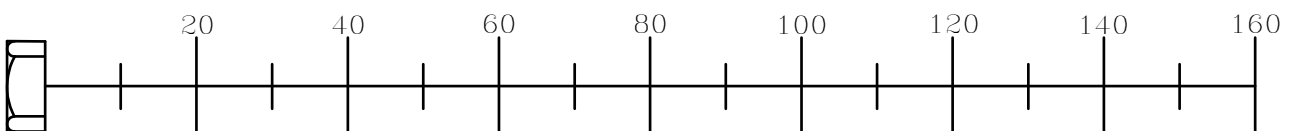
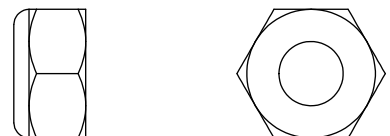
B2.M12 NYLON LOCK NUT...10PCS



B3.M16 NUT ...6PCS
(pre-installed)

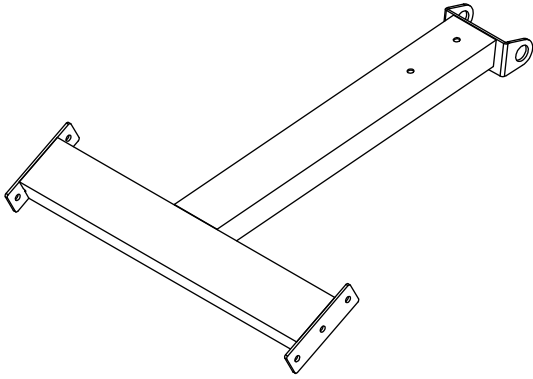


B4.M10 NYLON LOCK NUT...2PCS

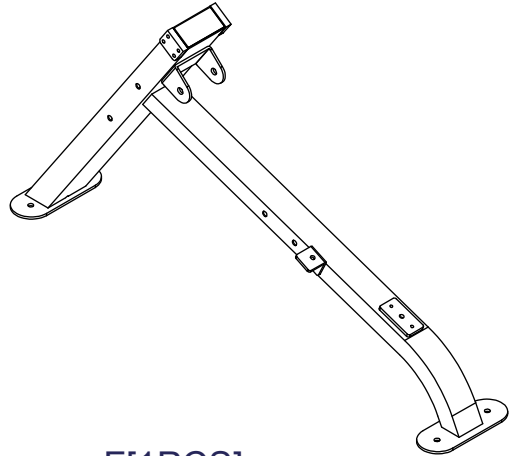


PL2300 HARDWARE
(shown in actual size)

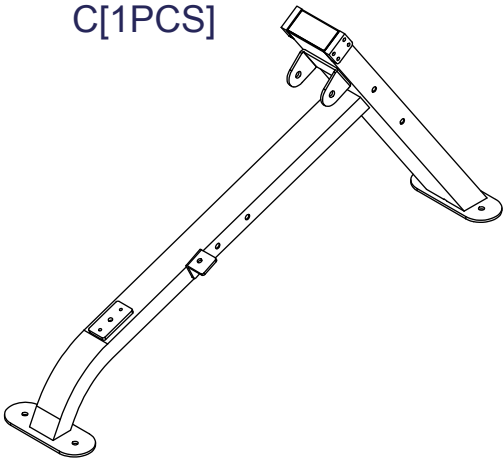
A[1PCS]



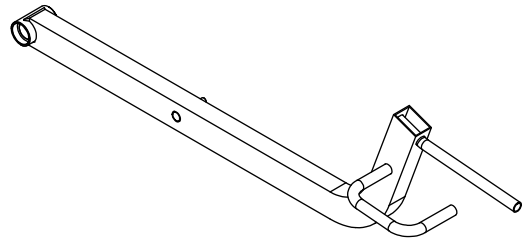
B[1PCS]



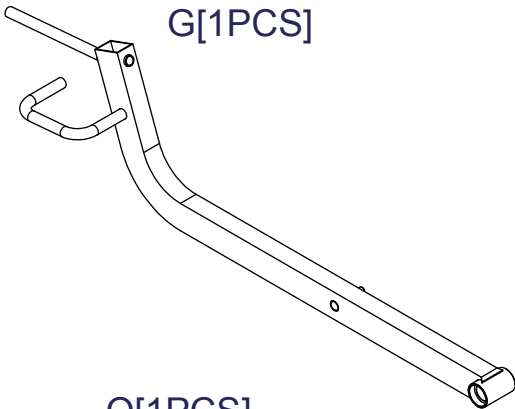
C[1PCS]



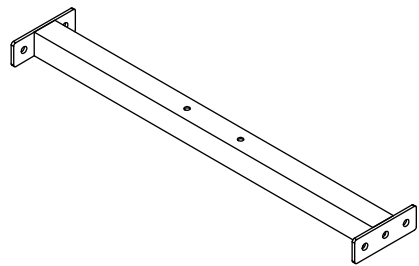
F[1PCS]



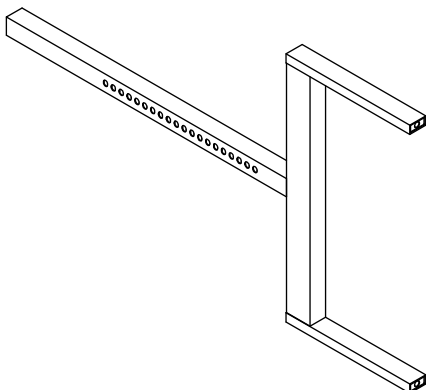
G[1PCS]



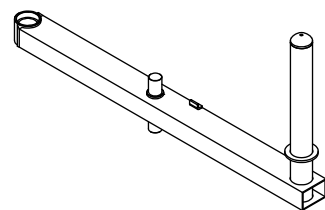
E[1PCS]



O[1PCS]

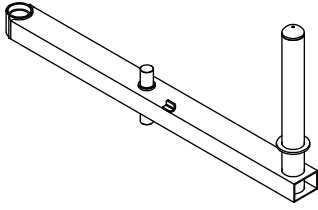


H[1PCS]

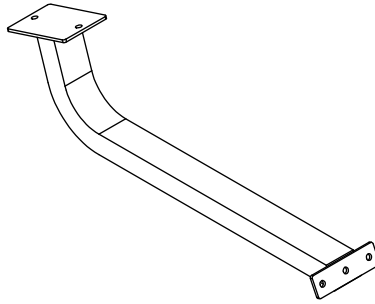


PL2300 HARDWARE
 (shown in actual size)

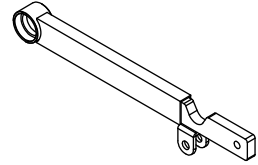
V[1PCS]



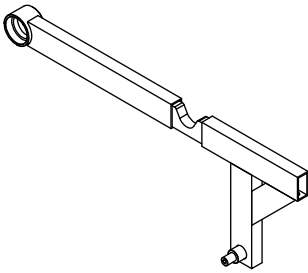
Y[1PCS]



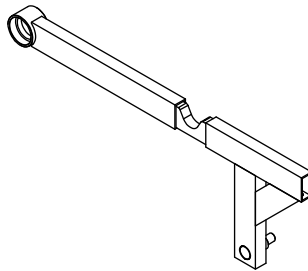
I[2PCS]



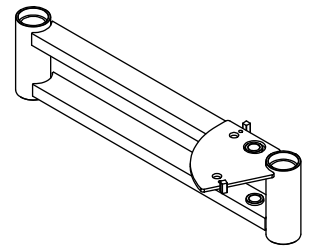
J[1PCS]



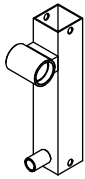
K[1PCS]



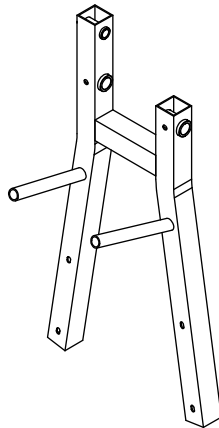
N[1PCS]



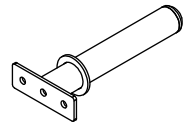
P[1PCS]



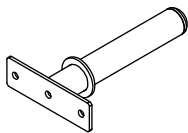
Q[1PCS]



T[2PCS]



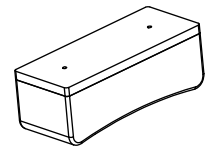
X[2PCS]



R[4PCS]
 (8313-243)



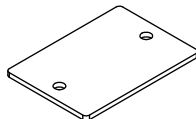
Z[2PCS]
 (9131-066)



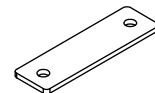
D[1PCS]
 8341-156
 (pre-installed)



M[1PCS]
 8313-250



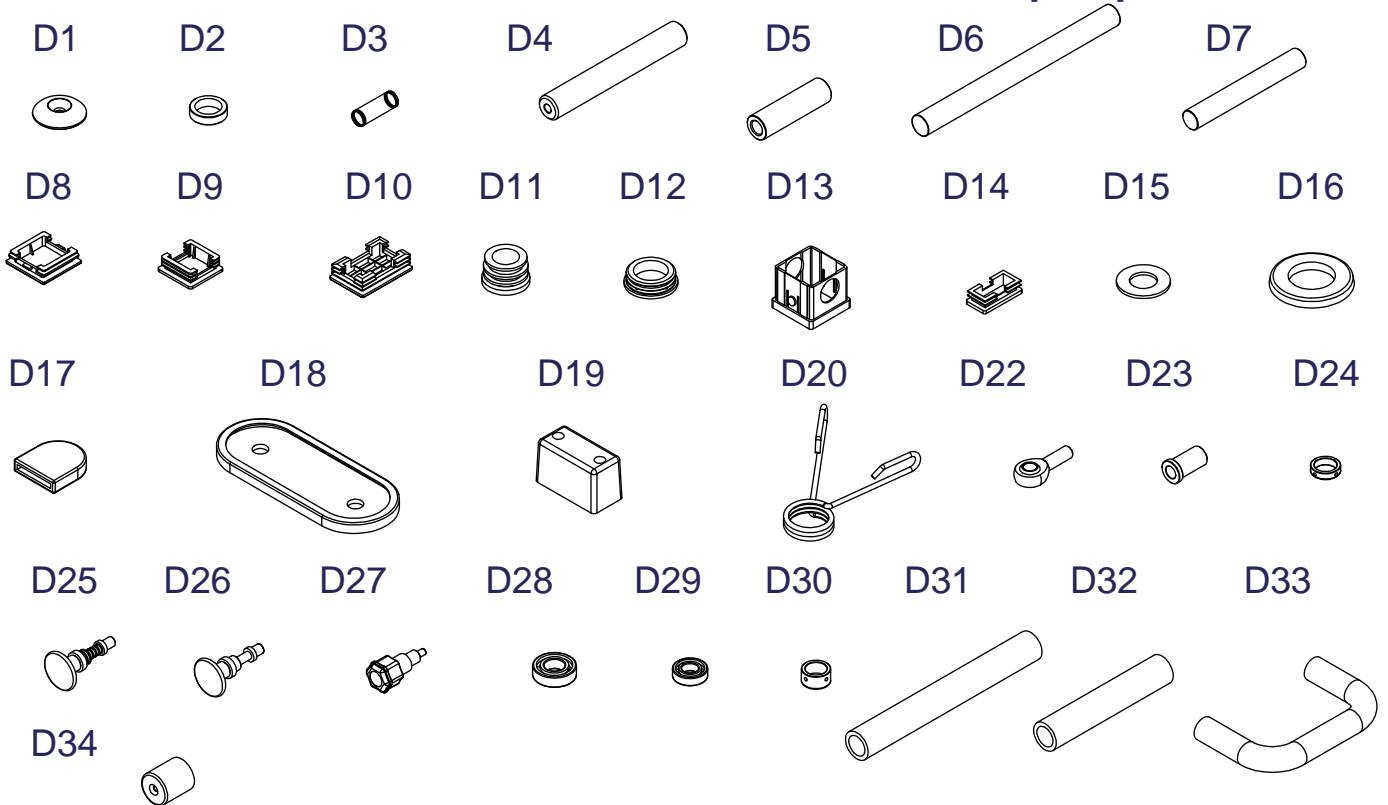
W[1PCS]
 8312-091

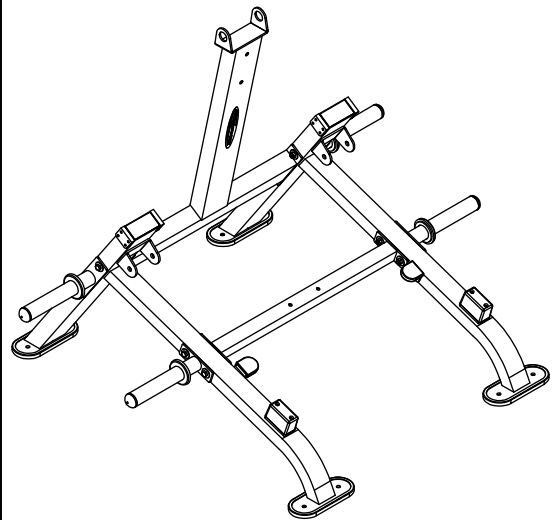


PL2300 HARDWARE

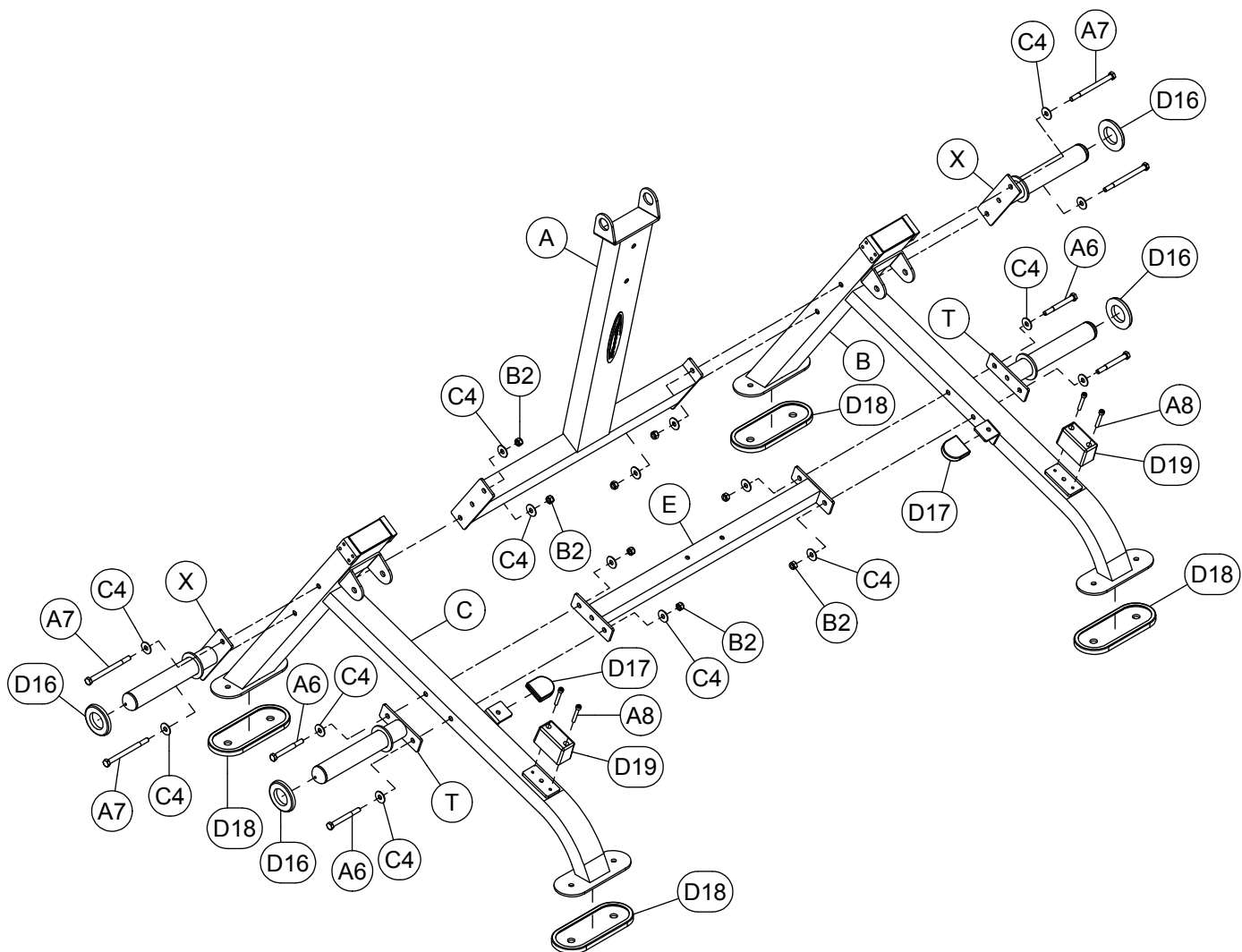
(shown in actual size)

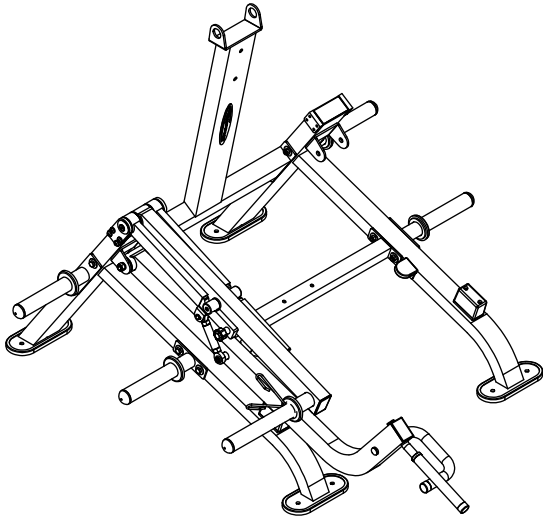
D1.End Cap(8130-131).....	[6PCS]
D2.Iron Set(8130-442).....	[2PCS]
D3.Turn Axis(8210-242) (pre-installed).....	[2PCS]
D4.Turn Axis(8220-275).....	[3PCS]
D5.Turn Axis(8220-279) (pre-installed).....	[2PCS]
D6.Pole(8220-281) (pre-installed).....	[1PCS]
D7.Pole(8220-282) (pre-installed).....	[1PCS]
D8.The Plug(9211-005).....	[1PCS]
D9.The Plug(9211-006).....	[4PCS]
D10.The Plug(9211-012).....	[4PCS]
D11.Round Plug(9211-016).....	[4PCS]
D12.Round Plug(9211-020).....	[2PCS]
D13.Double Set Of(9211-033).....	[2PCS]
D14.The Plug(9211-009).....	[6PCS]
D15.The Nylon Washer(9214-001).....	[8PCS]
D16.Rubber Ring(9310-016).....	[6PCS]
D17.Stop The Mat(9310-019).....	[2PCS]
D18.Rubber Blanket(9310-075).....	[4PCS]
D19.Block Rubber(9310-077).....	[2PCS]
D20.Pinch Cock(OC06).....	[2PCS]
D22.Connecting Rod Bearing(8510-065)(pre-installed).....	[6PCS]
D23.Fixing Sleeve(8120-120)(pre-installed).....	[4PCS]
D24.Chrome Collar(8130-254)(pre-installed).....	[6PCS]
D25.Pop Pin(8250-066G)(pre-installed).....	[1PCS]
D26.Pop Pin(8250-067G)(pre-installed).....	[1PCS]
D27.Pop Pin(8250-163)(pre-installed).....	[2PCS]
D28.Bearing (8510-037) (pre-installed).....	[20PCS]
D29.Bearing (8510-010) (pre-installed).....	[2PCS]
D30.Iron set(8890-061) (pre-installed).....	[6PCS]
D31.Impregnated With Handle (9162-203)(pre-installed).....	[2PCS]
D32.Impregnated With Handle (9162-162)(pre-installed).....	[2PCS]
D33.Impregnated With Handle (9162-153)(pre-installed).....	[2PCS]
D34.Impregnated With Handle (9219-038)(pre-installed).....	[4PCS]



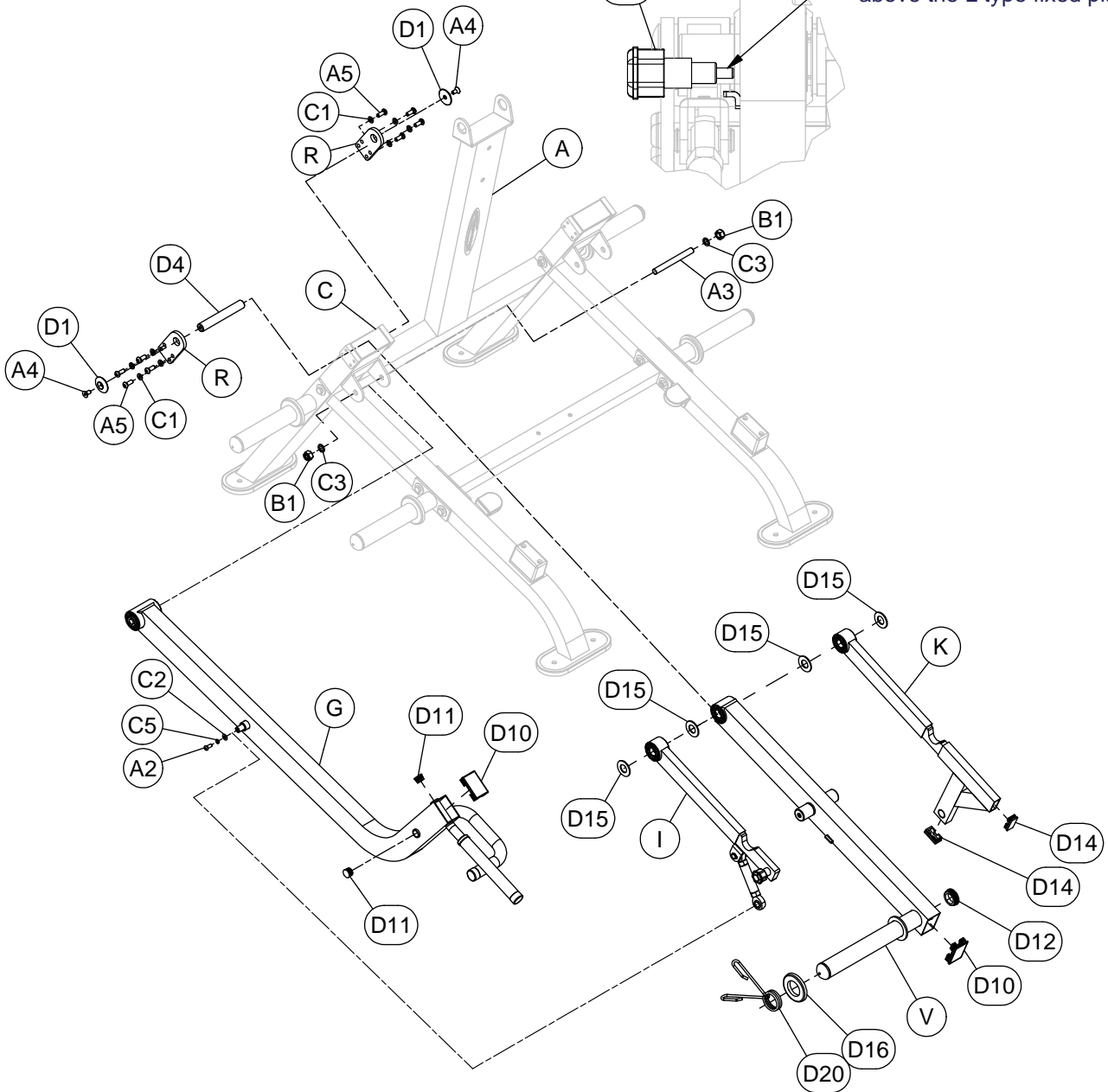
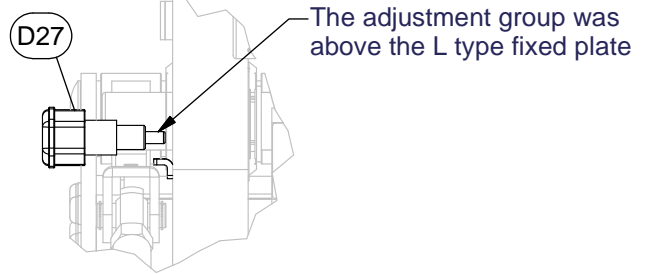
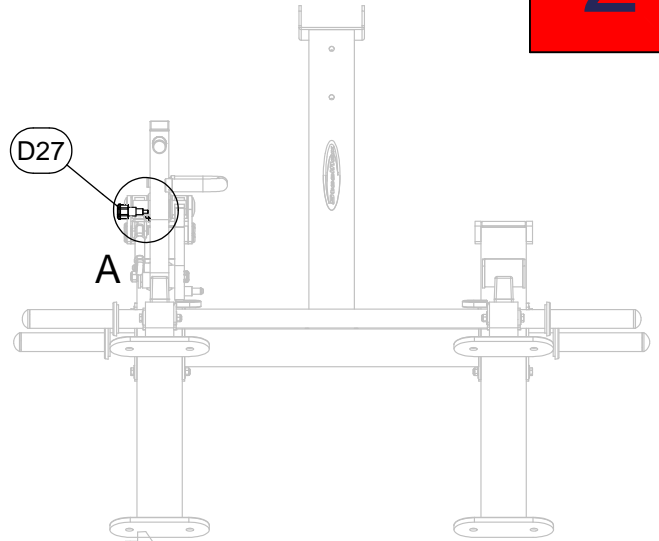


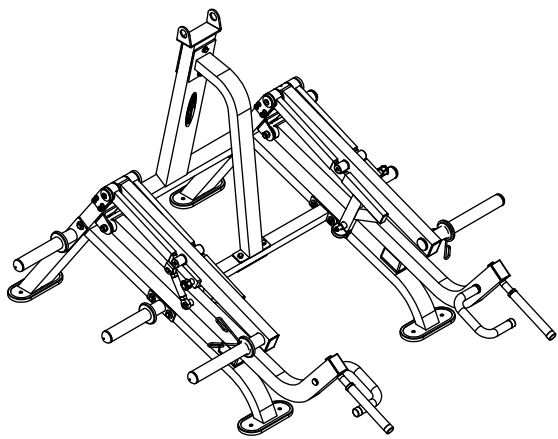
Above shows STEP 1 assembled and completed



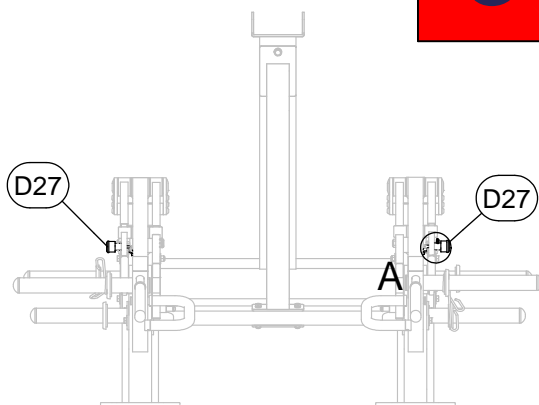


Above shows STEP 2 assembled and completed

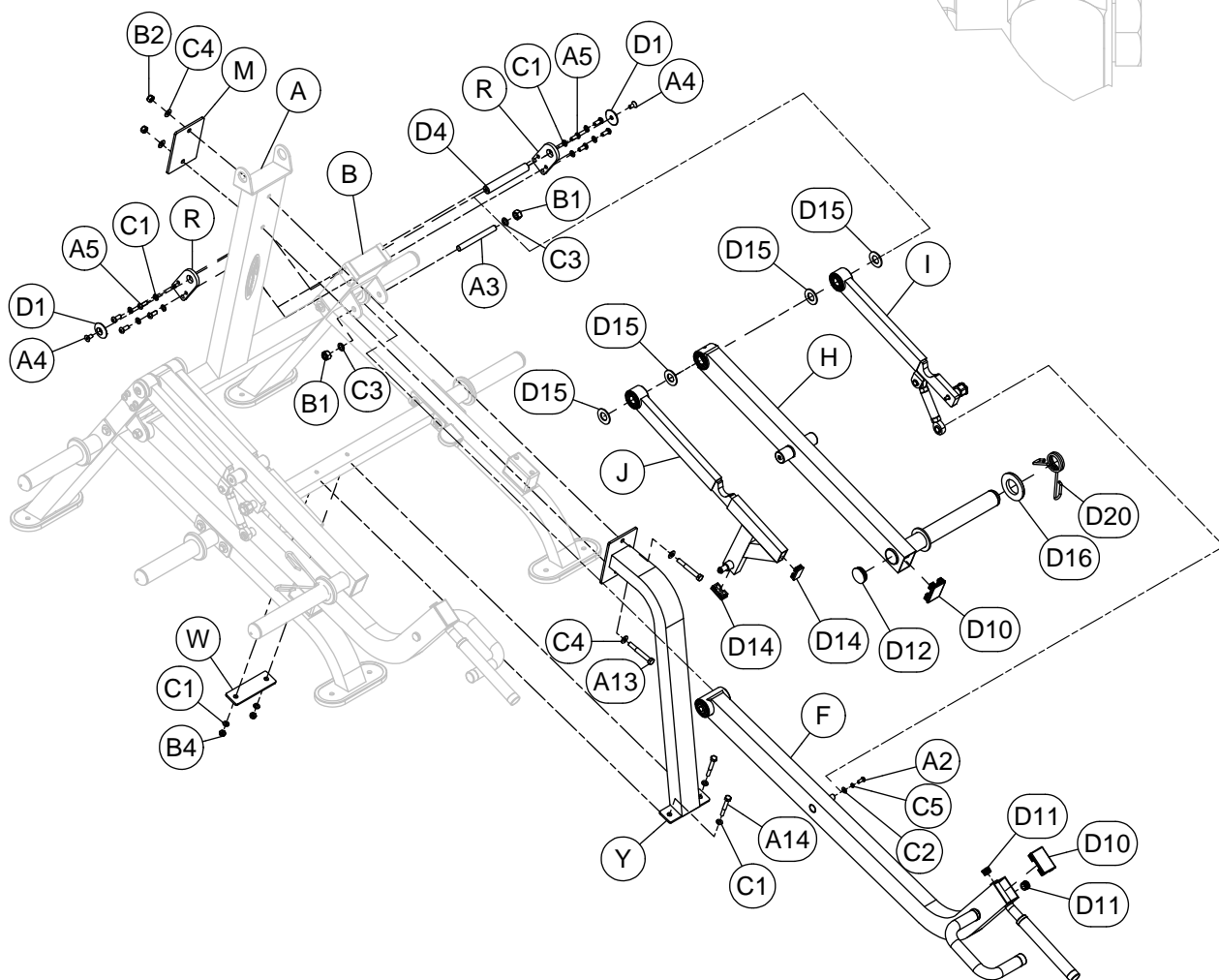
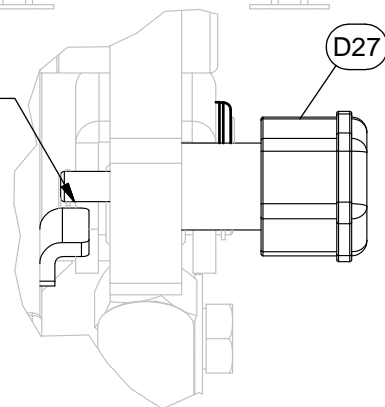


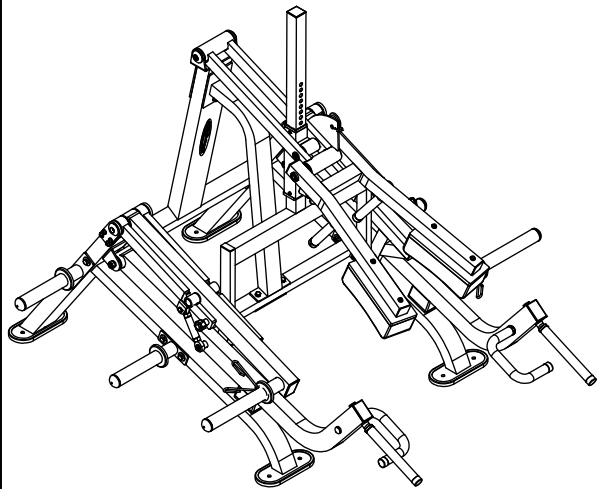


Above shows STEP 3 assembled and completed

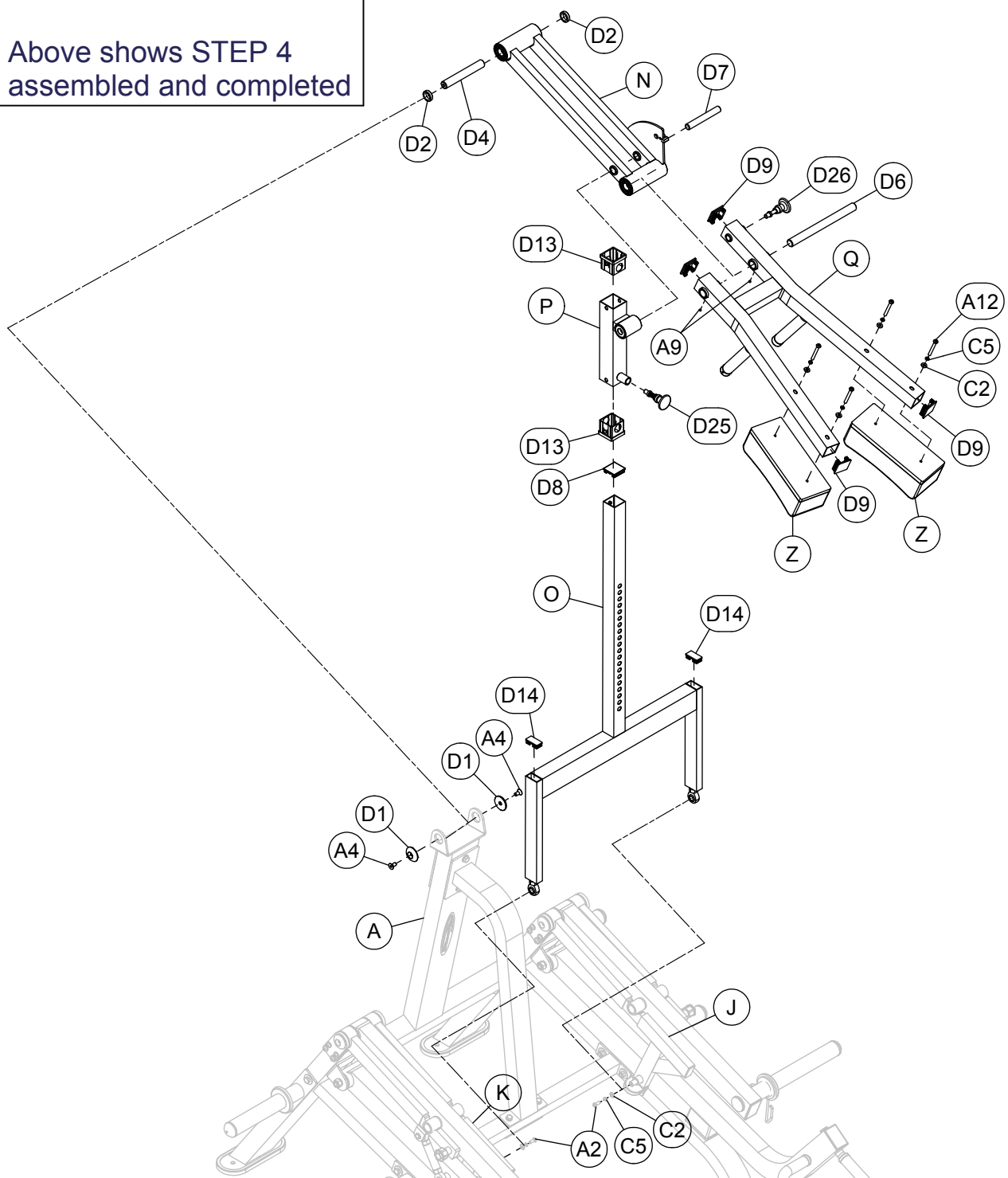


The adjustment group was above the L type fixed plate

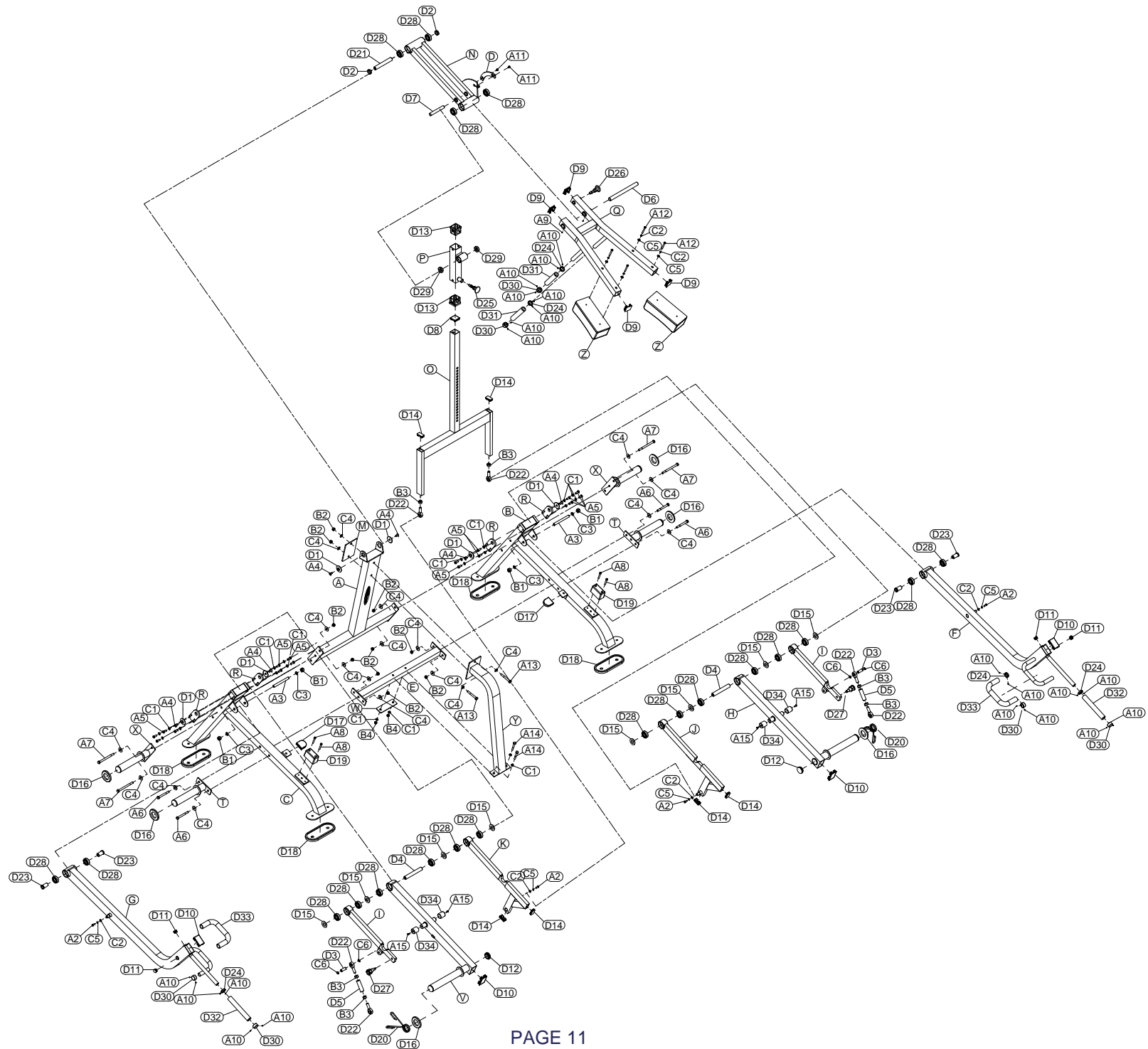




Above shows STEP 4 assembled and completed



PL2300



PL2300 HARDWARE
(shown in actual size)

