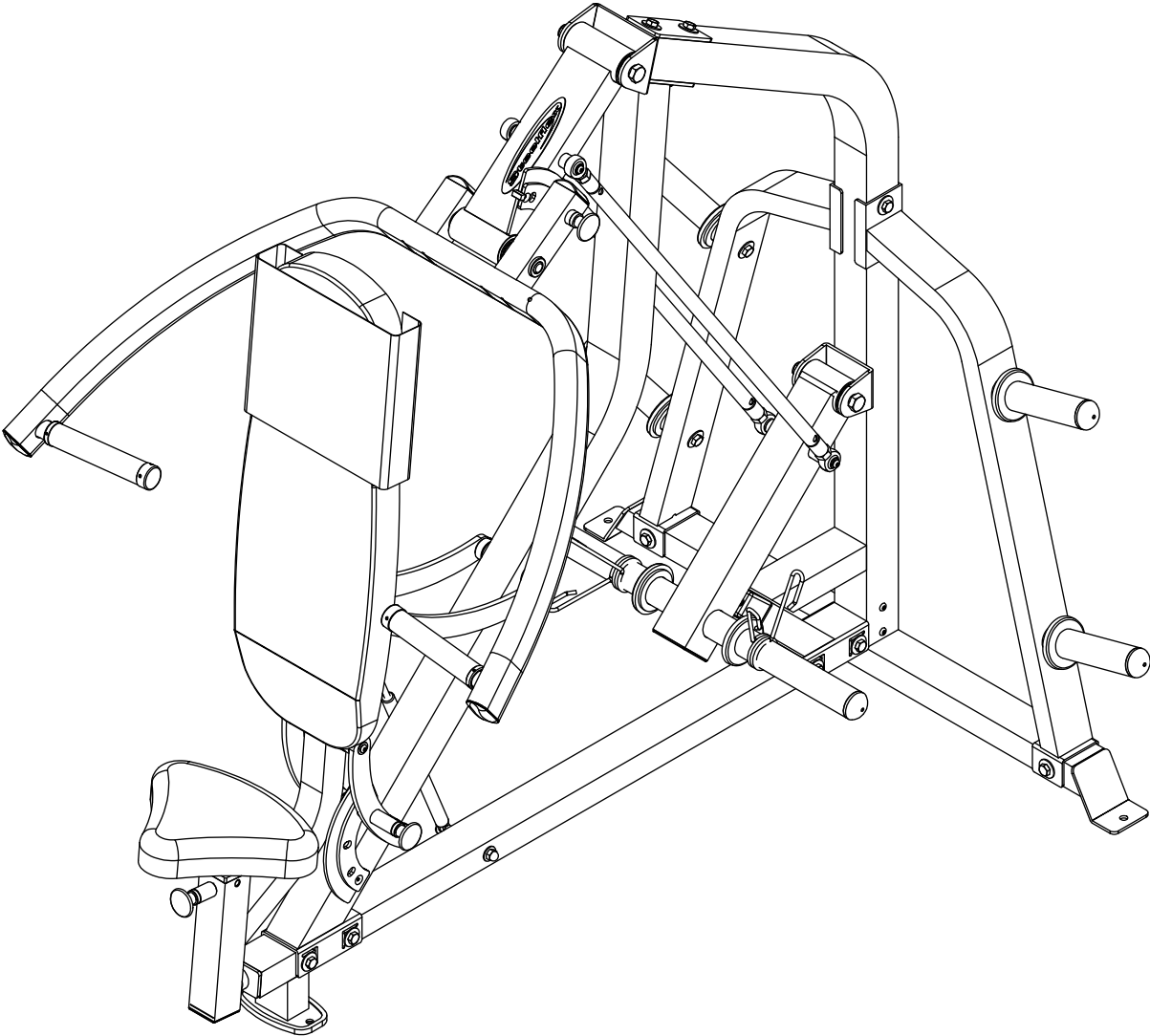




PL2100

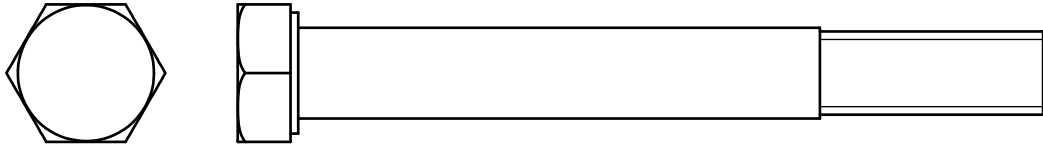


Assembly & Instructions
OWNER'S & MANUAL

PL2100 HARDWARE

(shown in actual size)

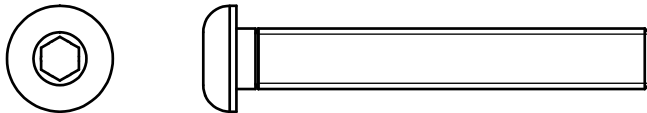
A1.M12X100L HEX HEAD SCREW...7PCS



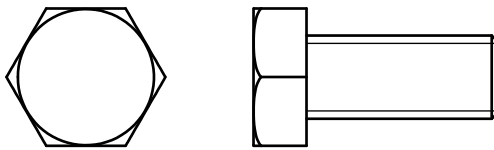
A2.M8X16L ALLEN SCREW...8PCS (Pre-installed)



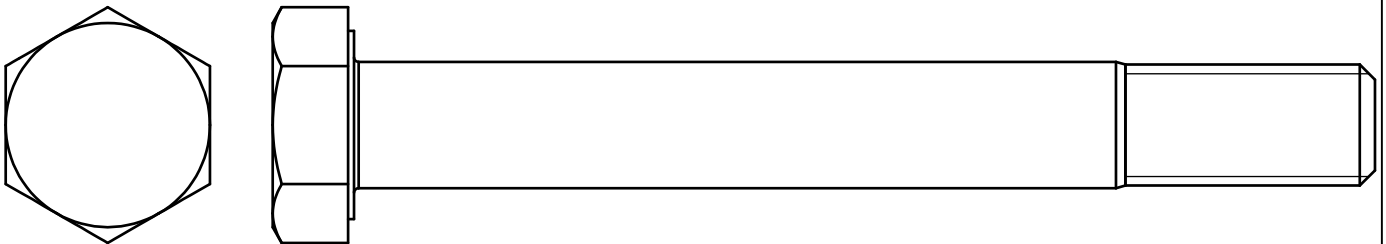
A3.M8X55L ALLEN SCREW...2PCS



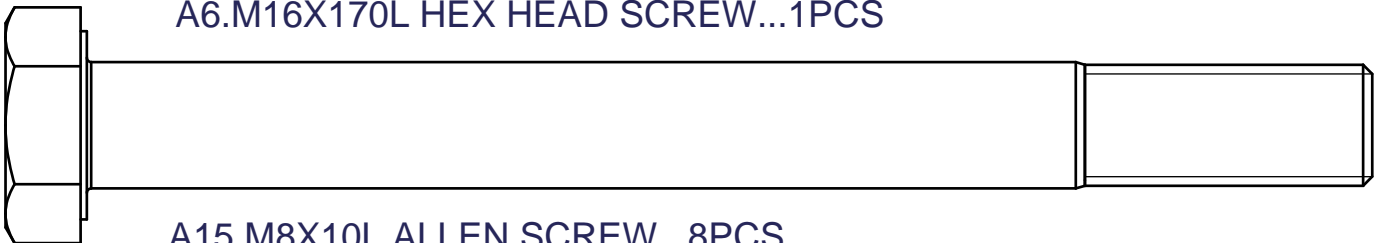
A4.M12X25L HEX HEAD SCREW...4PCS



A5.M16X135L HEX HEAD SCREW...1PCS



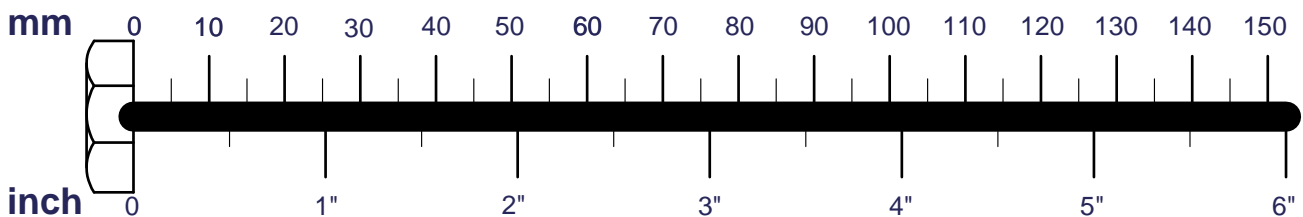
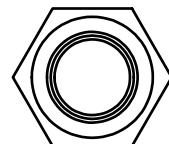
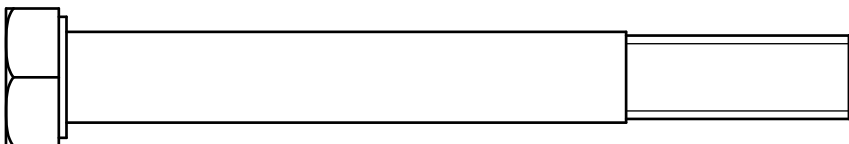
A6.M16X170L HEX HEAD SCREW...1PCS



A15.M8X10L ALLEN SCREW...8PCS

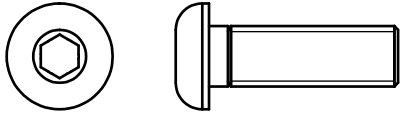


A16.M12X105L HEX HEAD SCREW...2PCS

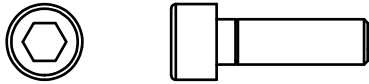


PL2100 HARDWARE
(shown in actual size)

A7.M8X25L ALLEN SCREW...7PCS



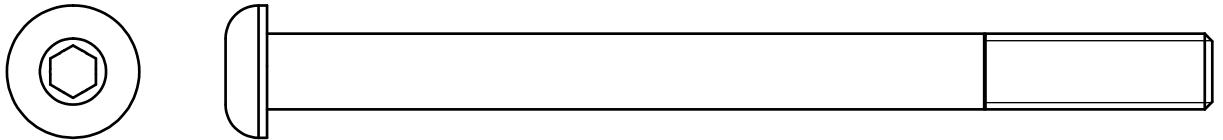
A8.M6X20L SOCKET SCREW (FULL THREAD)...2PCS



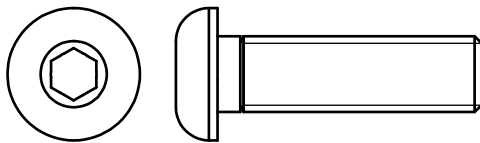
A9.M8X8L GRUB SCREW ...18PCS (Pre-installed)



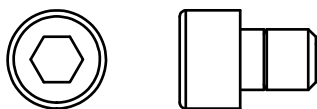
A10.M10X125L ALLEN SCREW...1PCS



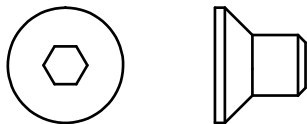
A11.M10X35L ALLEN SCREW...1PCS



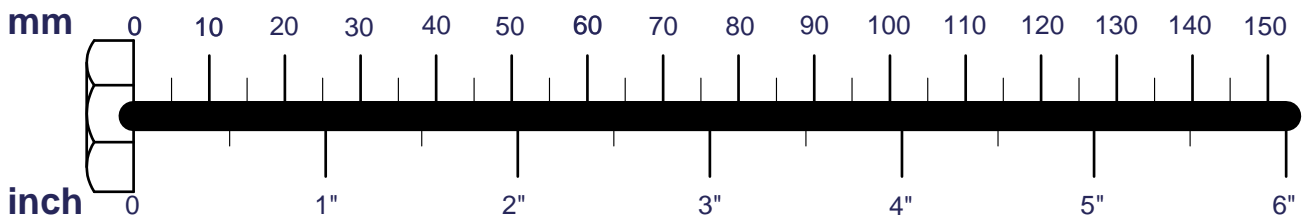
A12.M8X10L SOCKET SCREW (FULL THREAD)...1PCS
(Pre-installed)



A13.M8X12L THE CONE INNER SIX ANGLE SCREW...4PCS
(Pre-installed)



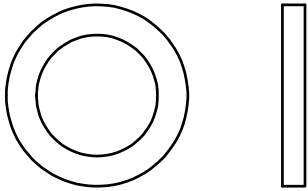
A14.M5X5L GRUB SCREW ...8PCS(Pre-installed)



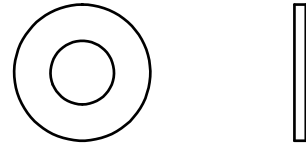
PL2100 HARDWARE

(shown in actual size)

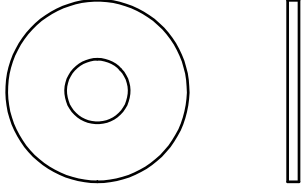
C5.M16 WASHER (Ø24X3T)...4PCS



C2.M8 WASHER (Ø18)...4PCS
(Pre-installed)



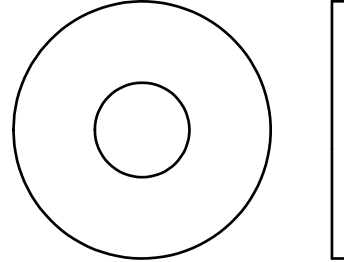
C7.M8 WASHER (Ø22)...15PCS



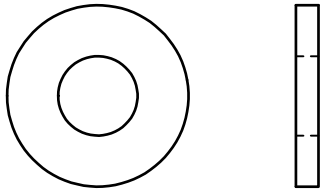
C3.M8 SPRING WASHER...15PCS
(Pre-installed 8PCS)



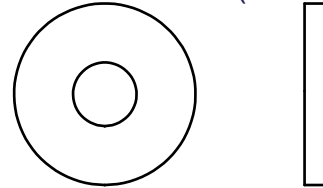
C4.M12 WASHER ...21PCS



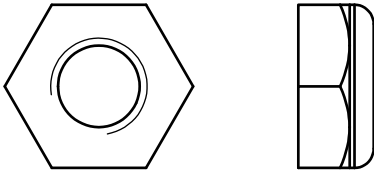
C8.M10 WASHER (Ø24)...4PCS



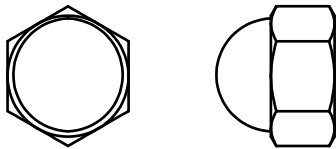
C6.M8 WASHER (Ø24X3T)...4PCS
(Pre-installed)



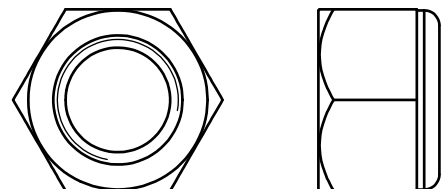
B1.M12 NYLON LOCK NUT...8PCS



B3.M10 NUT WITH CAP...2PCS



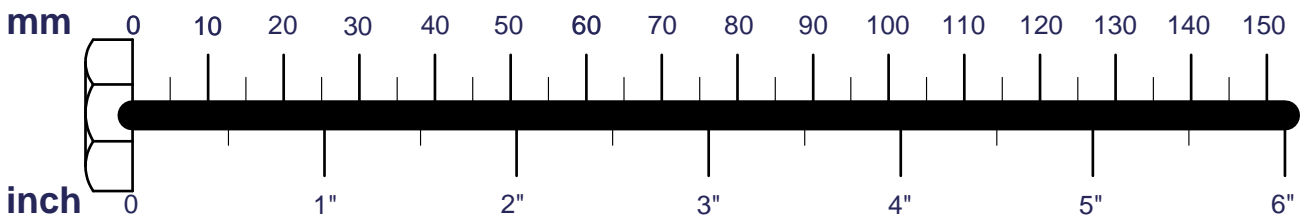
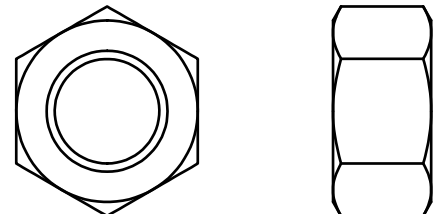
B2.M16 NYLON LOCK NUT...2PCS



B5. 3/8" NUT...2PCS (pre-installed)

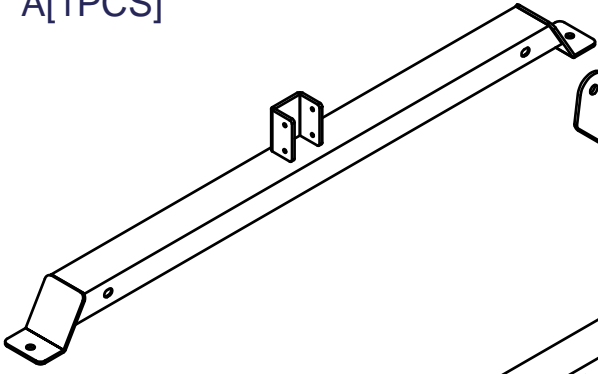


B4.M16 NUT ...4PCS (Pre-installed)

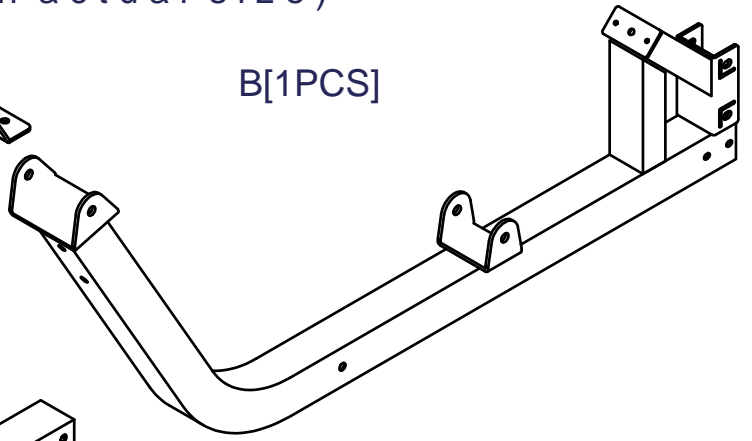


PL2100 HARDWARE
(shown in actual size)

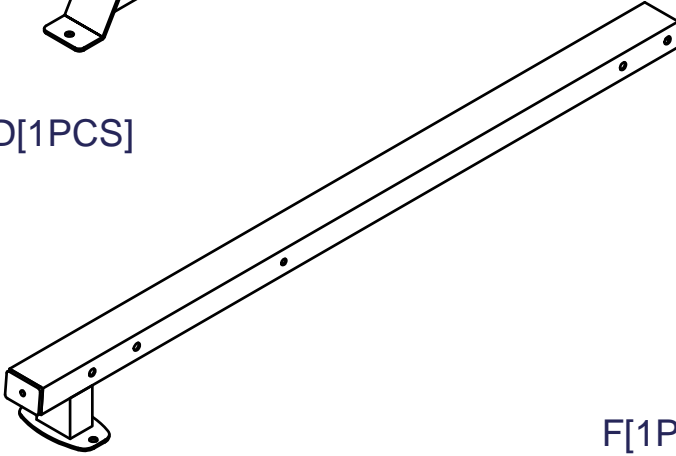
A[1PCS]



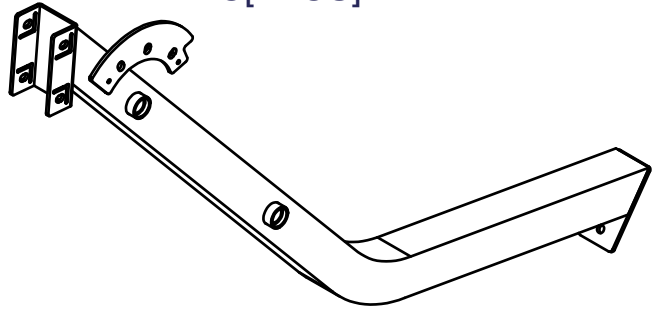
B[1PCS]



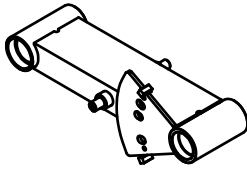
D[1PCS]



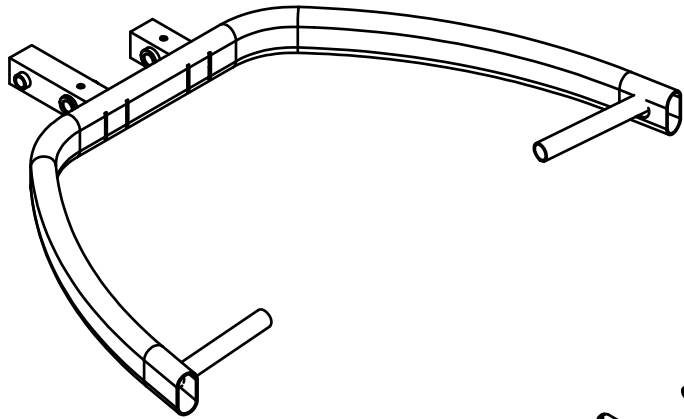
C[1PCS]



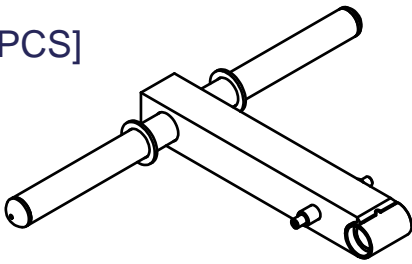
E[1PCS]



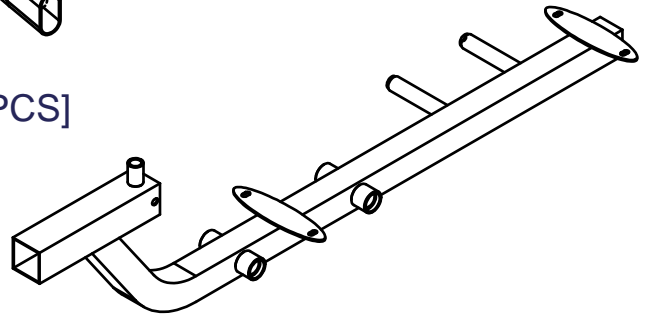
F[1PCS]



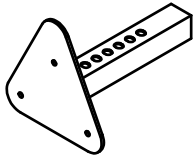
G[1PCS]



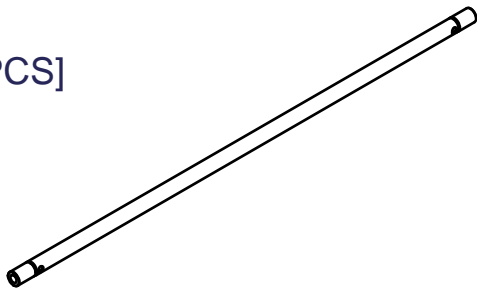
H[1PCS]



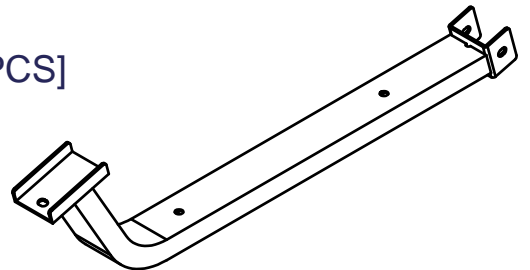
I[1PCS]



J[2PCS]



L[2PCS]



PL2100 HARDWARE
(shown in actual size)

K[1PCS]



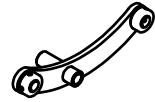
M[1PCS]



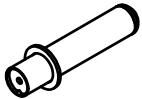
N[1PCS]



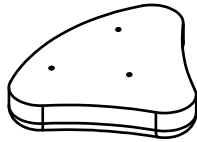
O[1PCS]



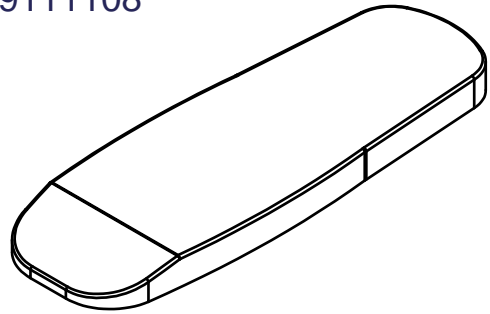
P[4PCS]



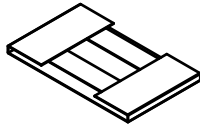
Q[1PCS]
9121112



R[1PCS]
9111108



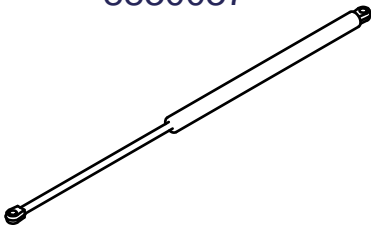
S[1PCS]
9119010
(pre-installed)



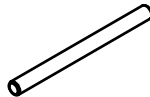
T[4PCS]
8210220



W[1PCS]
8830037



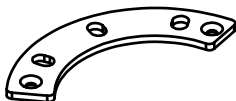
V[1PCS]
8220265
(pre-installed)



U[1PCS]
8313082



X[1PCS]
8343334
(pre-installed)



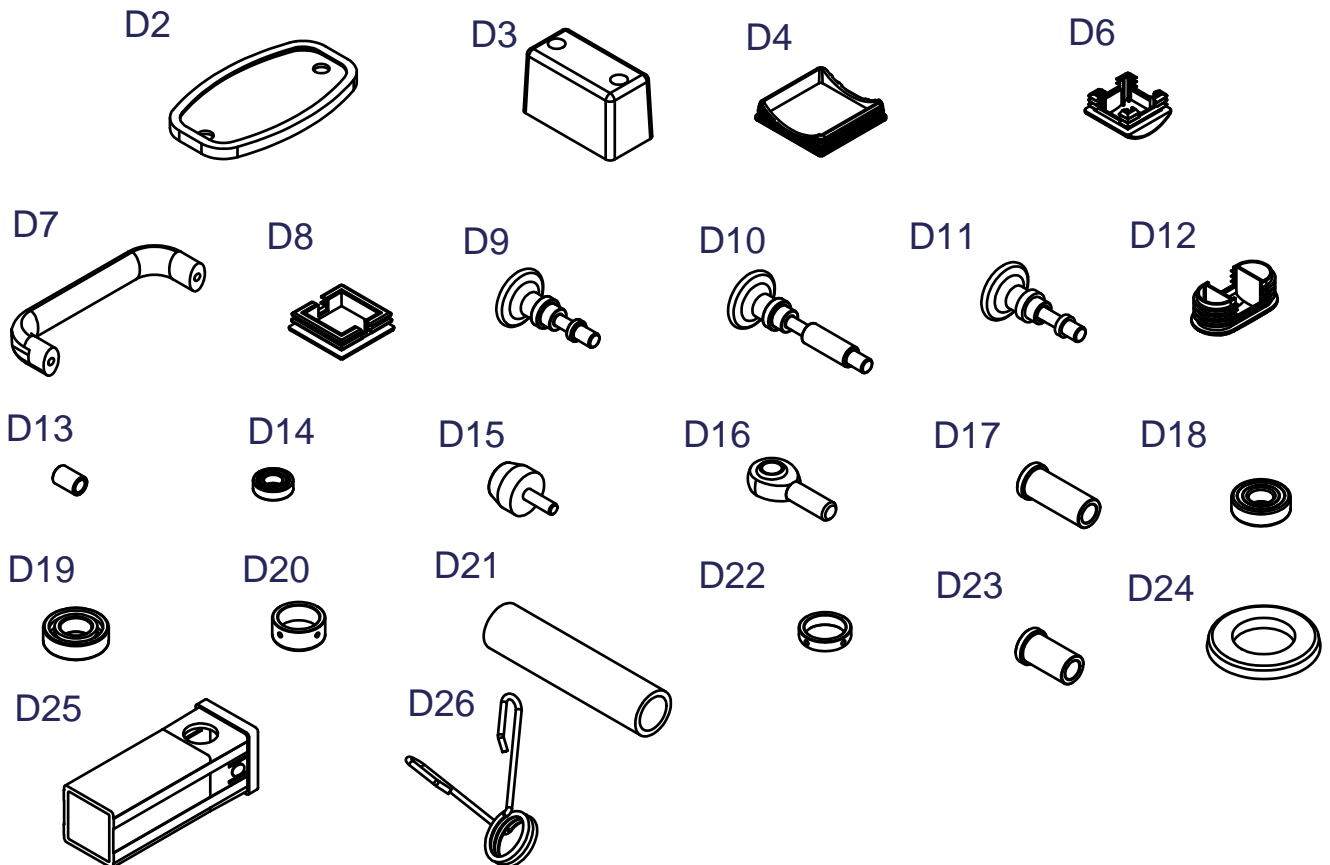
Y[1PCS]
8343335
(pre-installed)

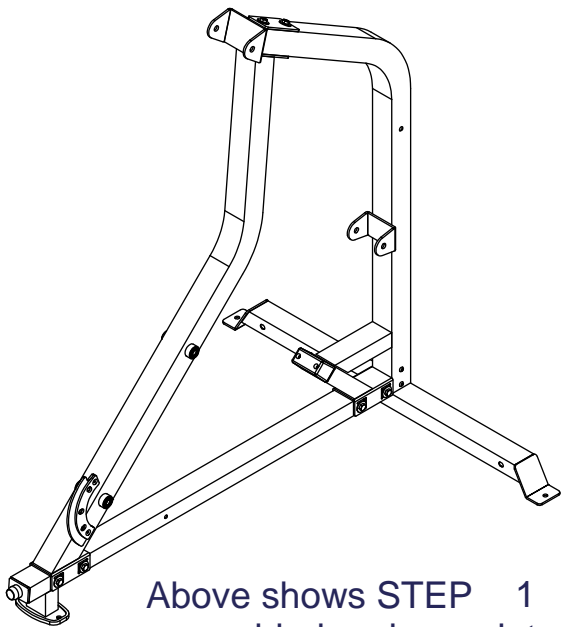


PL2100 HARDWARE

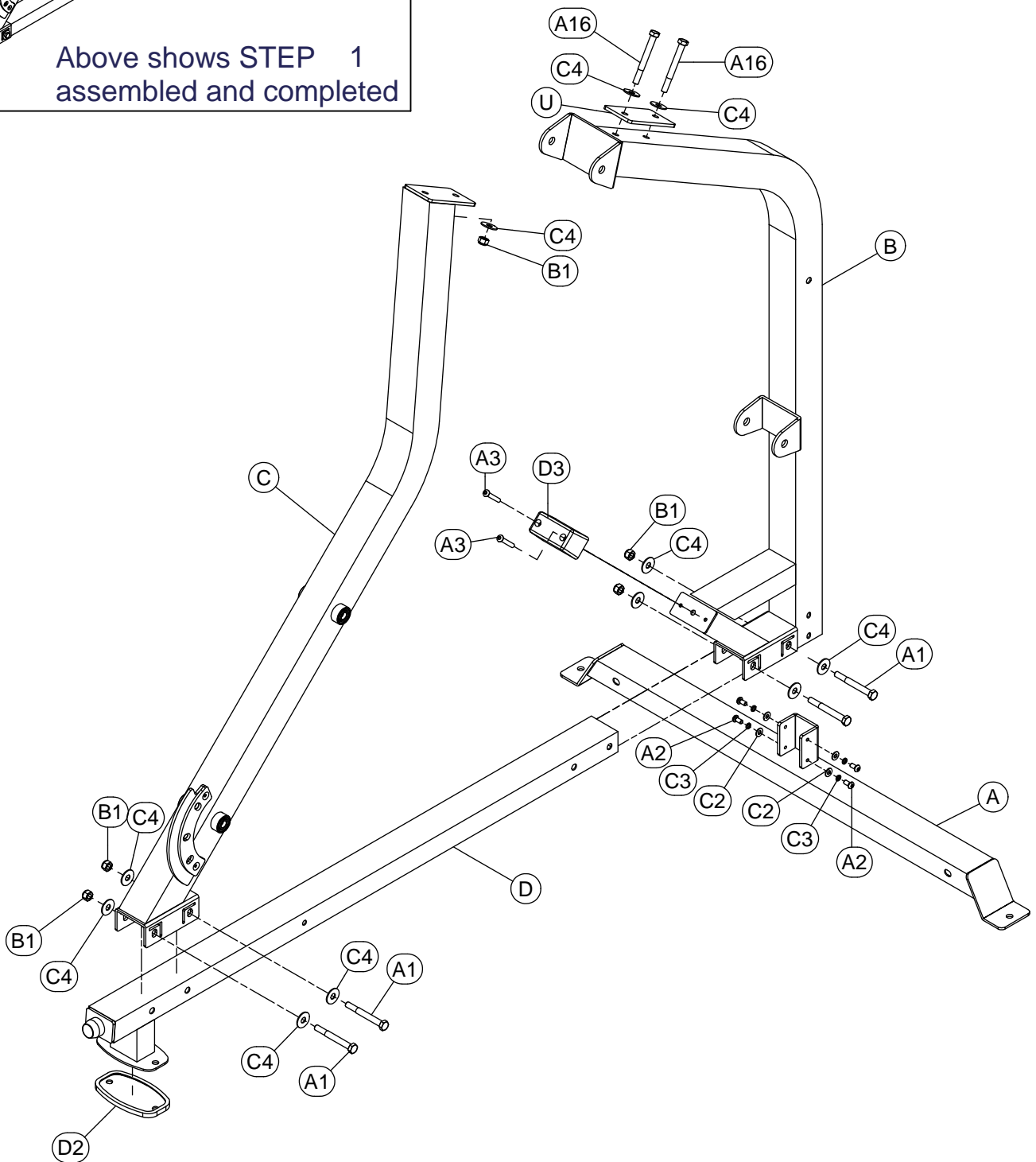
(shown in actual size)

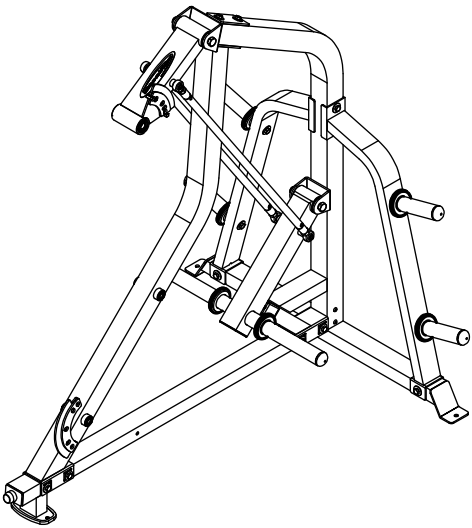
D2.Rubber Insert (9310-076).....	[1PCS]
D3.Block Rubber (9310-077).....	[1PCS]
D4.End Cap (9211-197).....	[1PCS]
D6.End Cap (9211-088).....	[3PCS]
D7.Handle (9219-033).....	[1PCS]
D8.End Cap (9211-049).....	[1PCS]
D9.Pop Pin (8250-065G) (pre-installed).....	[1PCS]
D10.Pop Pin (8250-068G) (pre-installed).....	[1PCS]
D11.Pop Pin (8250-067G) (pre-installed).....	[1PCS]
D12.End Dap (9211-192).....	[2PCS]
D13.Pulley Spacer (8120-121).....	[1PCS]
D14.Bearing (8510-011) (pre-installed).....	[8PCS]
D15.Cushion Mat (9310-018)(pre-installed).....	[2PCS]
D16.Bearing (8510-065) (pre-installed).....	[4PCS]
D17.Pulley Spacer (8120-119)(pre-installed).....	[2PCS]
D18.Bearing (8510-020) (pre-installed).....	[2PCS]
D19.Bearing (8510-037) (pre-installed).....	[4PCS]
D20.Chrome collar (8890-048) (pre-installed).....	[2PCS]
D21.Impregnated With Handle (9162-188)(pre-installed).....	[2PCS]
D22.Chrome Collar (8130-287) (pre-installed).....	[2PCS]
D23.Pulley Spacer (8120-120) (pre-installed).....	[2PCS]
D24.Rubber Dount (9310-016).....	[6PCS]
D25.Double Deck Set (9211-047).....	[1PCS]
D26.Spring Clip(OC06)	[2PCS]



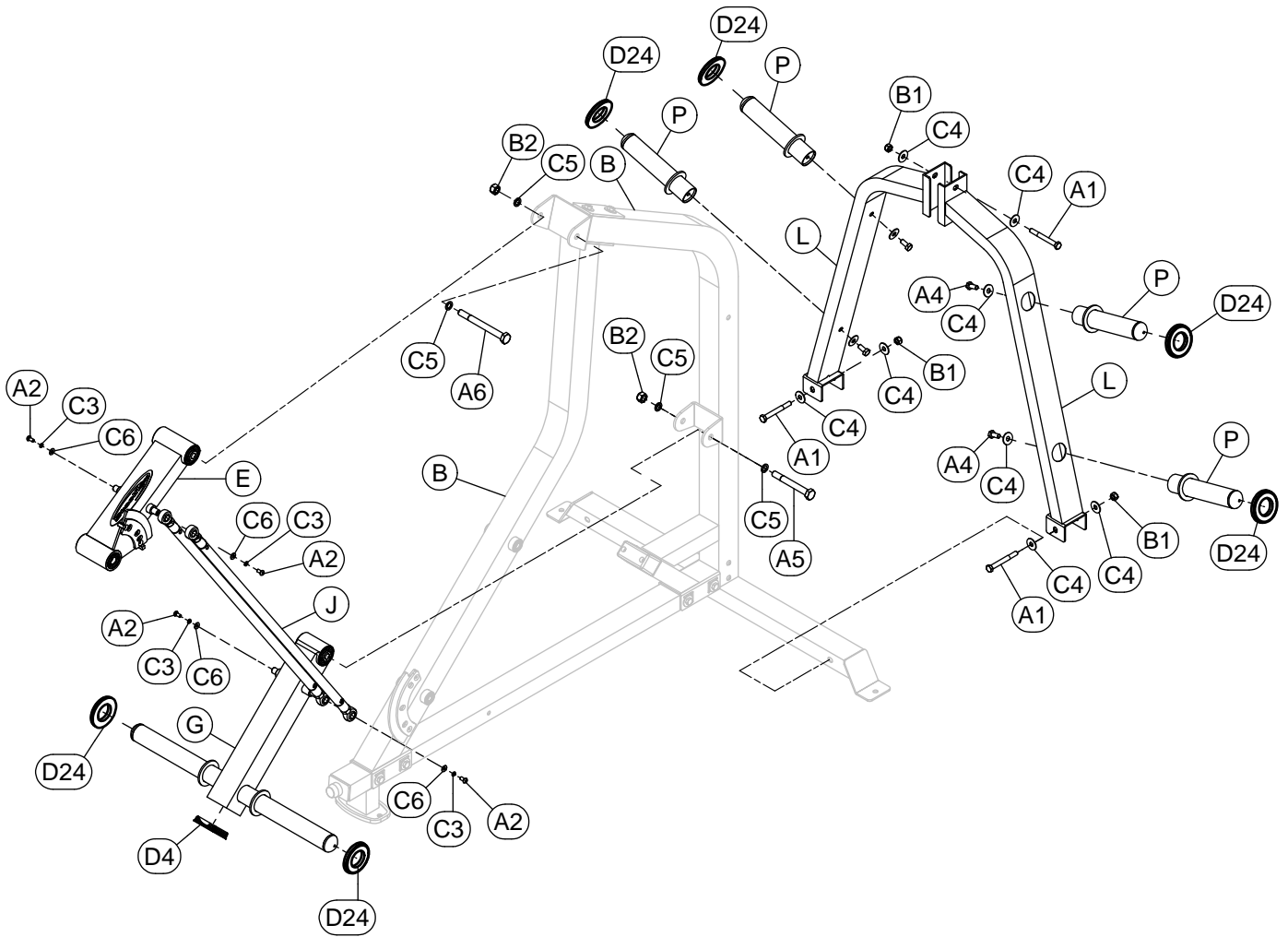


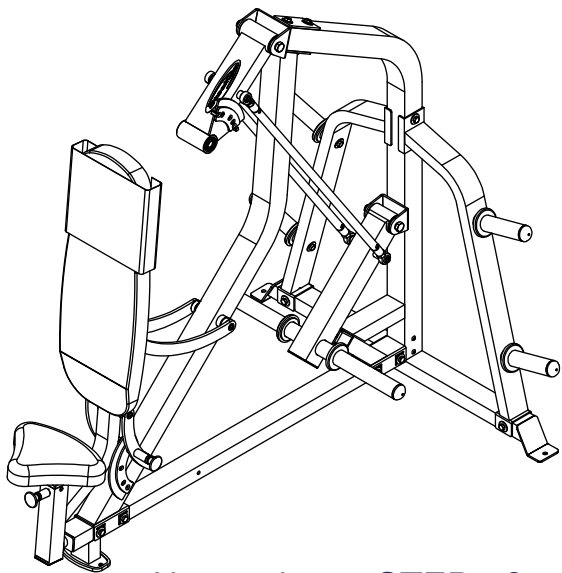
Above shows STEP 1 assembled and completed



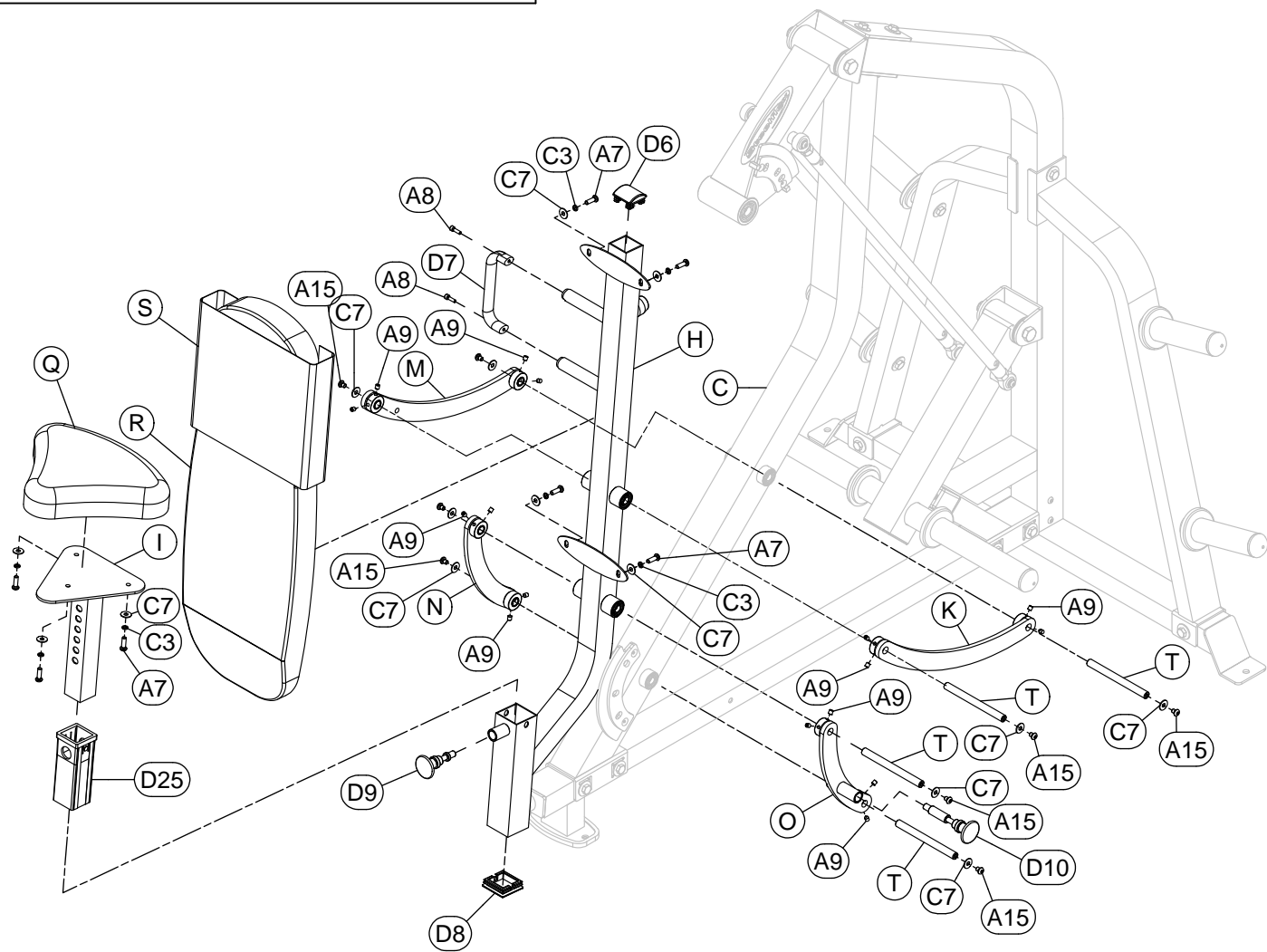


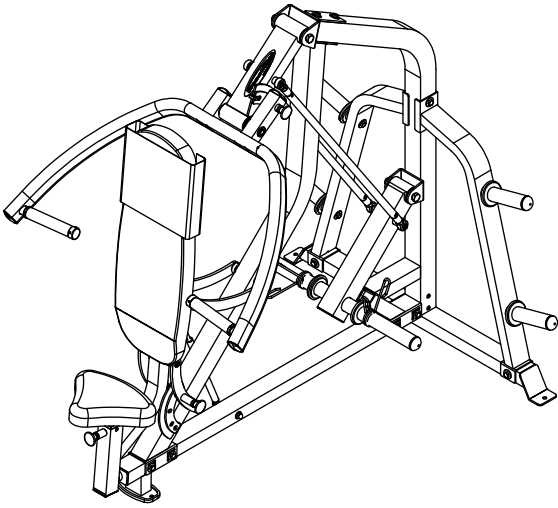
Above shows STEP 2 assembled and completed



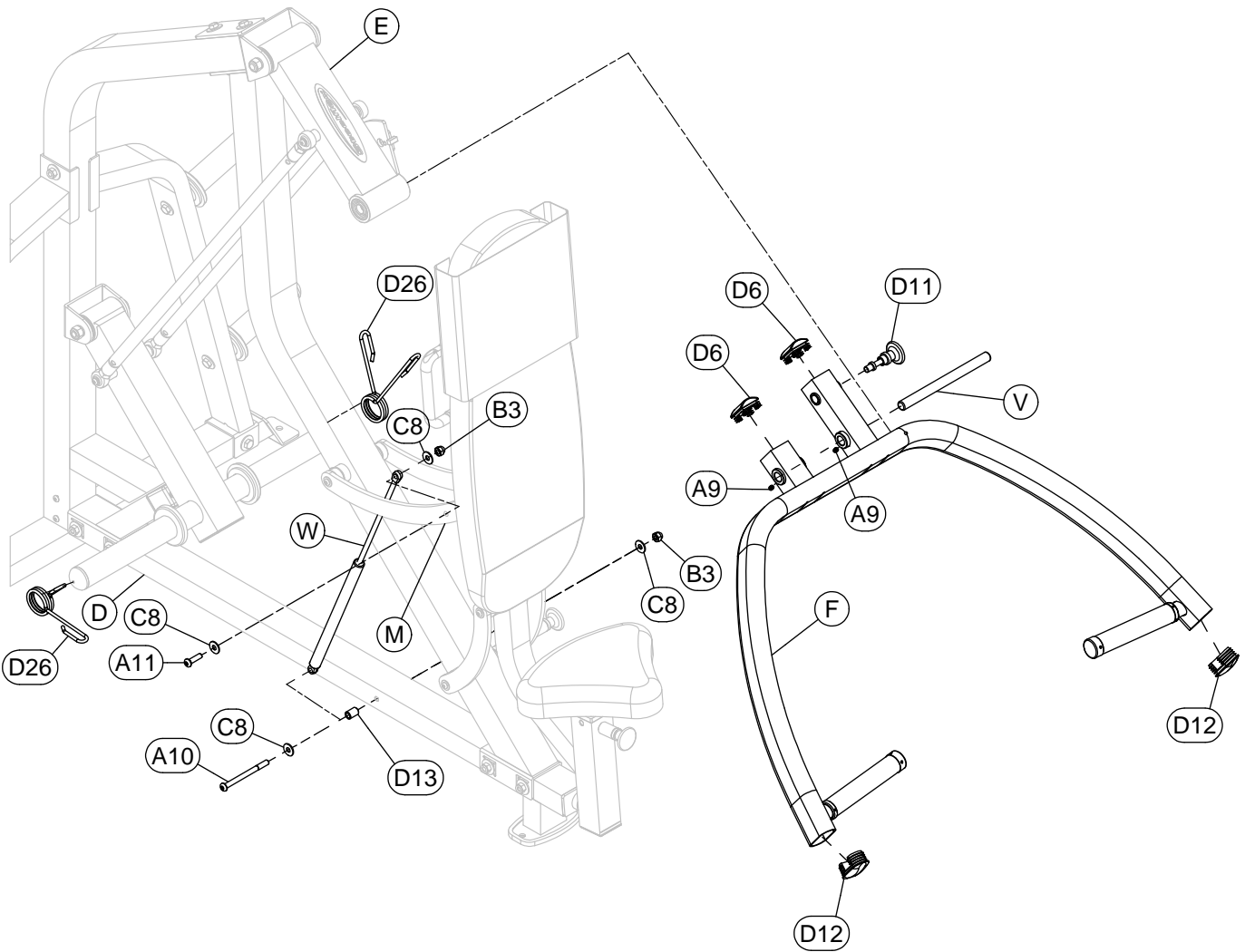


Above shows STEP 3
assembled and completed

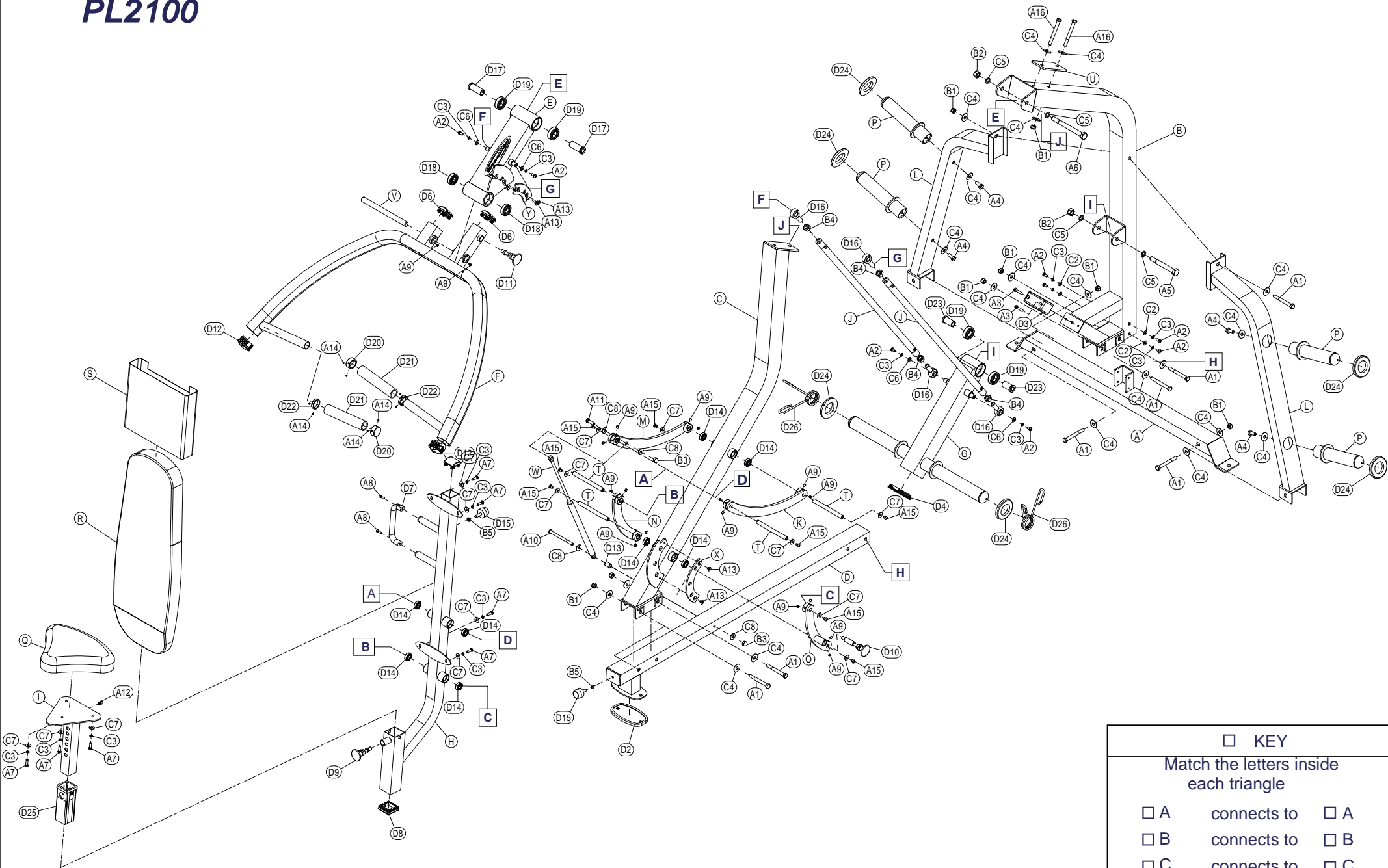




Above shows STEP 4 assembled and completed



PL2100



KEY			
Match the letters inside each triangle			
<input type="checkbox"/> A	connects to	<input type="checkbox"/> A	
<input type="checkbox"/> B	connects to	<input type="checkbox"/> B	
<input type="checkbox"/> C	connects to	<input type="checkbox"/> C	