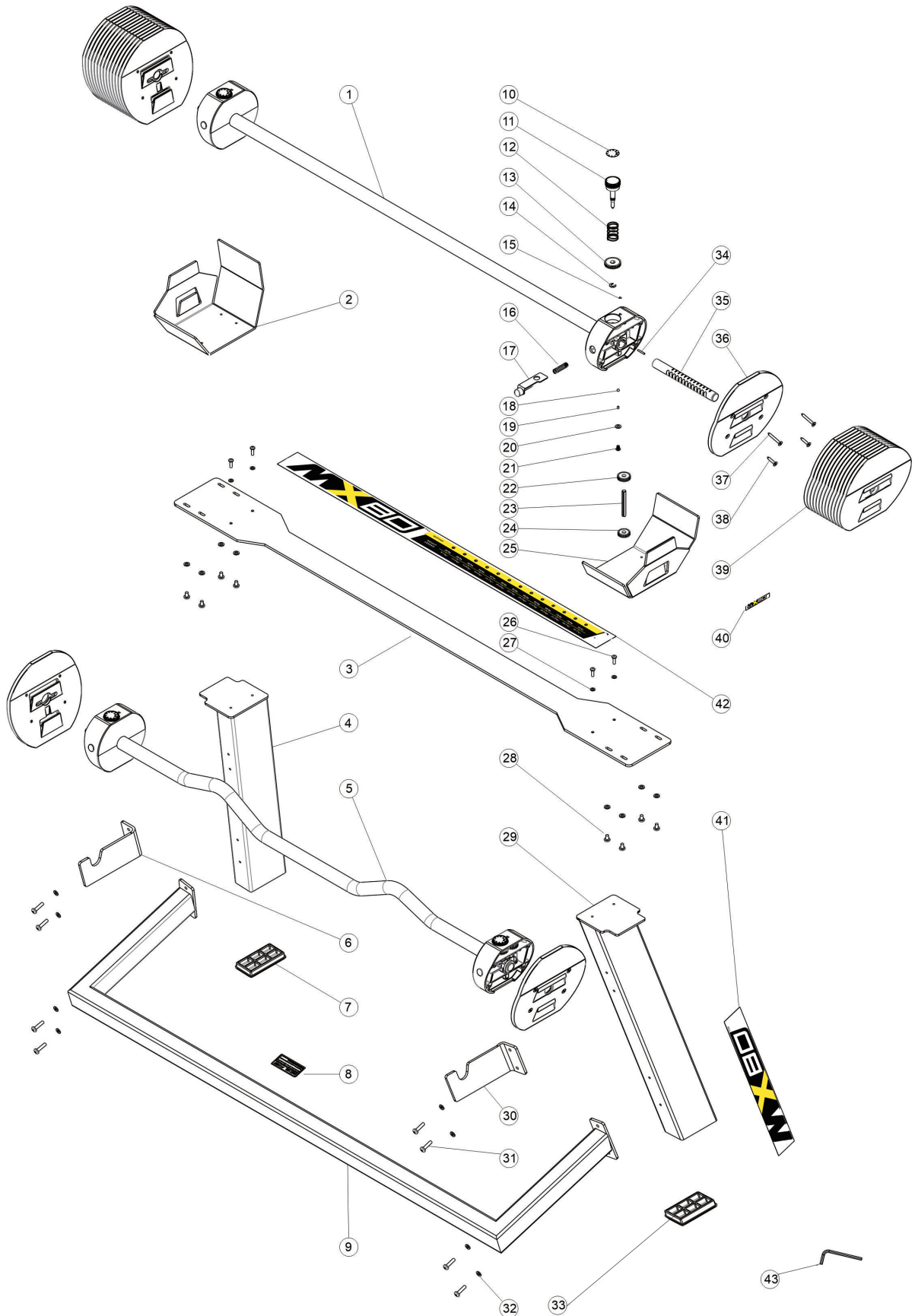


## MX80™ BARBELL SYSTEM

### EXPLODED PARTS DIAGRAM - MX80



## MX80™ BARBELL SYSTEM

### PARTS LIST - MX80

NO	PART NO.	DESCRIPTION	SPECIFICATIONS	QTY
1	80001	Barbell Handset		1
2	80002	Cradle (Left)	322*220*4	1
3	80003	Cradle Base	1346.2*129.5*5	1
4	80004	Stand Legs (Left)	100*50*650*T2.0	1
5	80005	EZ Curl Handset		1
6	80006	Bracket (Left)	235*95*T5	1
7	80007	Rubber Foot (Left)	100*50*24.5	1
8	80008	Decal for Stand Base		1
9	80009	Stand Base	50.8*38.1*1820*T1.5	1
10	80010	Decal - Number		4
11	80011	Selector Dial		4
12	80012	Selector Spring	31*22.7*1.2	4
13	80013	Selector Cog	34	4
14	55013	C Clip		4
15	55014	Decal - Triangle Indicator		4
16	55015	Spring for Release Bracket	41*9.4*0.8	4
17	80014	Release Bracket		4
18	55016	Ball Detent	5	4
19	55003	Spring for Ball Detent	13.5L*4.5OD*0.8line diameter	4
20	80015	Flat Washers	OD11.5*ID6.5*T1.0mm	4
21	80016	Bolt M6x8	M6*8mm	4
22	80017	Upper Cog	27.5	4
23	80018	Cog Shaft	8*63.5mm	4
24	55008	Lower Cog	25.4	4
25	55009	Cradle (Right)	322*220*4	1
26	80019	Bolt M5*12	M5*12MM	4
27	80020	Flat Washers	OD10*ID5*T1.0mm	12
28	55029	Bolt M5x10	M5*10mm	8
29	80022	Stand Legs (Right)	100*50*650*T2.0	1
30	80023	Bracket (Right)	235*95*T5	1
31	80024	Bolt M6x25	M6*25mm	8
32	80025	Flat Washers	OD11.5*ID6.5*T1.0mm	4
33	80026	Rubber Foot (Right)	100*50*24.5	1
34	55002	Plug Pin for Selector Shaft	3*20mm	4
35	80027	Selector Shaft	19*180	4
36	55019	Secured Weight Plate	201.9*186.7*T5mm	4
37	55020	Screw M8x37	ST4.8*37mm	8
38	55021	Screw M8x24	ST4.8*24mm	8
39	55022	Weight Plate	201.9*186.7*T5mm	24
40	80028	Decal for Cradles	70*10mm	2
41	80029	Decal for Stand Legs	380*50mm	1
42	80030	Decal for Weight Legend	940*60mm	2
43	80031	Allen Key S4		1