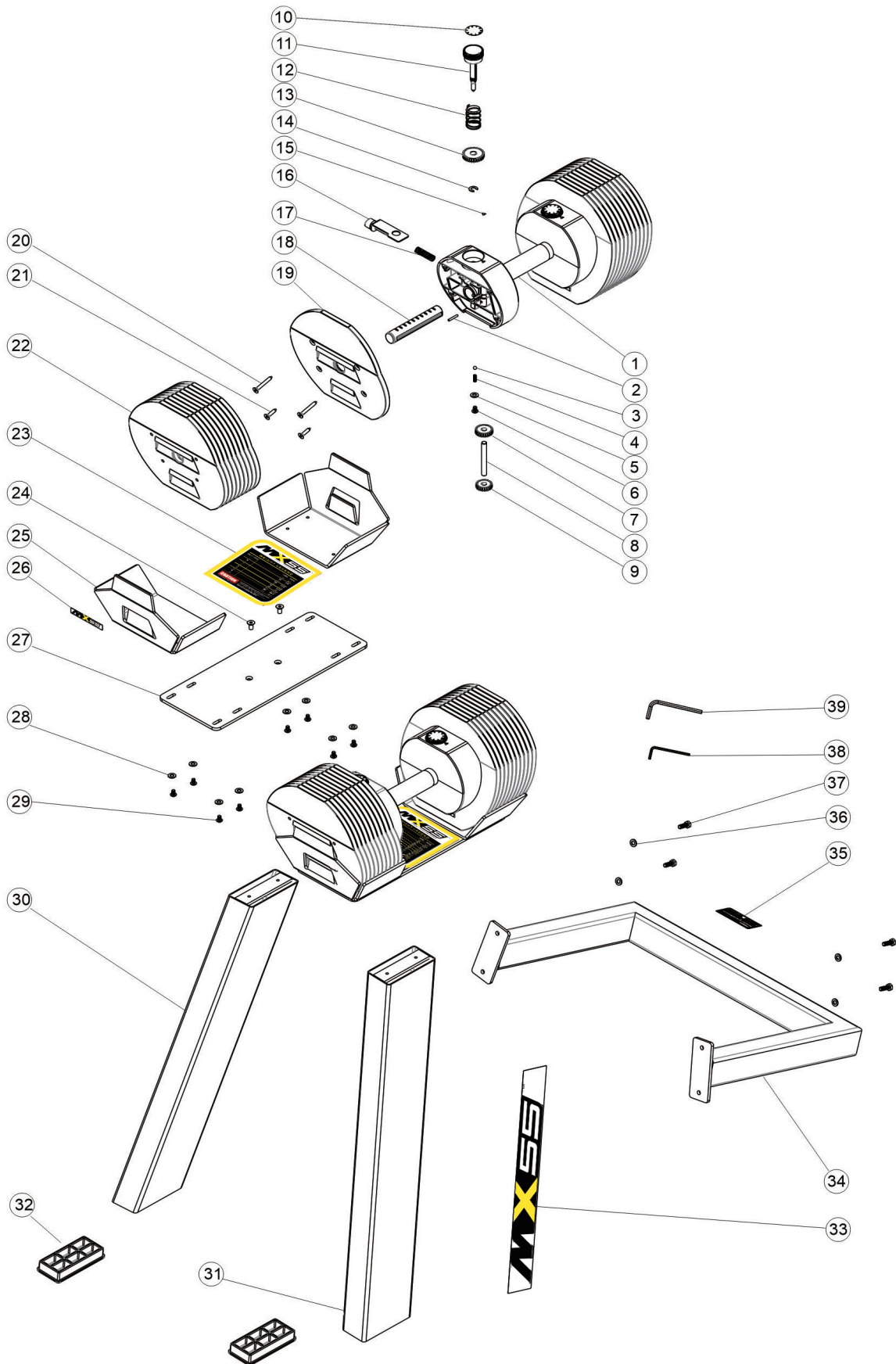


## MX55™ DUMBBELL SYSTEM

### EXPLODED PARTS DIAGRAM - MX80



## MX55™ DUMBBELL SYSTEM

### PARTS LIST - MX55

NO	PART NO.	DESCRIPTION	SPECIFICATIONS	QTY
1	55001	Handset		2
2	55002	Plug Pin for Selector Shaft	3*20mm	4
3	55003	Ball Detent	4	4
4	55004	Spring for Ball Detent	65Mn	4
5	55005	Washer M12	OD12*ID6*T1.0mm	4
6	55006	Bolt M6x6	M6*6mm	4
7	55007	Upper Cog	zinc alloy 27.5	4
8	55008	Cog Shaft	8*63.5mm	4
9	55009	Lower Cog	zinc alloy 25.4	4
10	55010	Decal - Number		4
11	55011	Selector Dial		4
12	55012	Selector Spring	65Mn	4
13	55013	Selector Cog	zinc alloy 34	4
14	55014	C Clip	65Mn	4
15	55015	Decal - Triangle Indicator		4
16	55016	Release Bracket		4
17	55017	Spring for Release Bracket	65Mn	4
18	55018	Selector Shaft	19*110mm	4
19	55019	Secured Weight Plate	201.9*186.7*T5mm	4
20	55020	Screw M8x37	ST4.8*37mm	8
21	55021	Screw M8x24	ST4.8*24mm	8
22	55022	Weight Plate	201.9*186.7*T5mm	36
23	55023	Decal - Weight Legend		2
24	55024	Countersunk Bolt M5x12	M5*12mm	4
25	55025	Cradle	257*220*4mm	4
26	55026	Decal for Cradle		4
27	55027	Cradle Base	338.5*129.5*5mm	2
28	55028	Washer M10x5	OD10*ID5*T1.0mm	16
29	55029	Bolt M5x10	M5*10mm	16
30	55030	Stand Legs (Right)	101.6*50.8*639*T1.8mm	1
31	55031	Stand Legs (Left)	101.6*50.8*639*T1.8mm	1
32	55032	Rubber Foot	101.6*50.8*24.5mm	2
33	55033	Decal for Stand Legs		2
34	55034	Stand Base	50.8*38.1*1188.2*T1.8mm	1
35	55035	Decal for Stand Base		1
36	55036	Washer M12x6	OD12*ID6*T1.0mm	4
37	55037	Bolt M6x15	M6*15mm	4
38	55038	Allen Key M3		1
39	55039	Allen Key M4		1