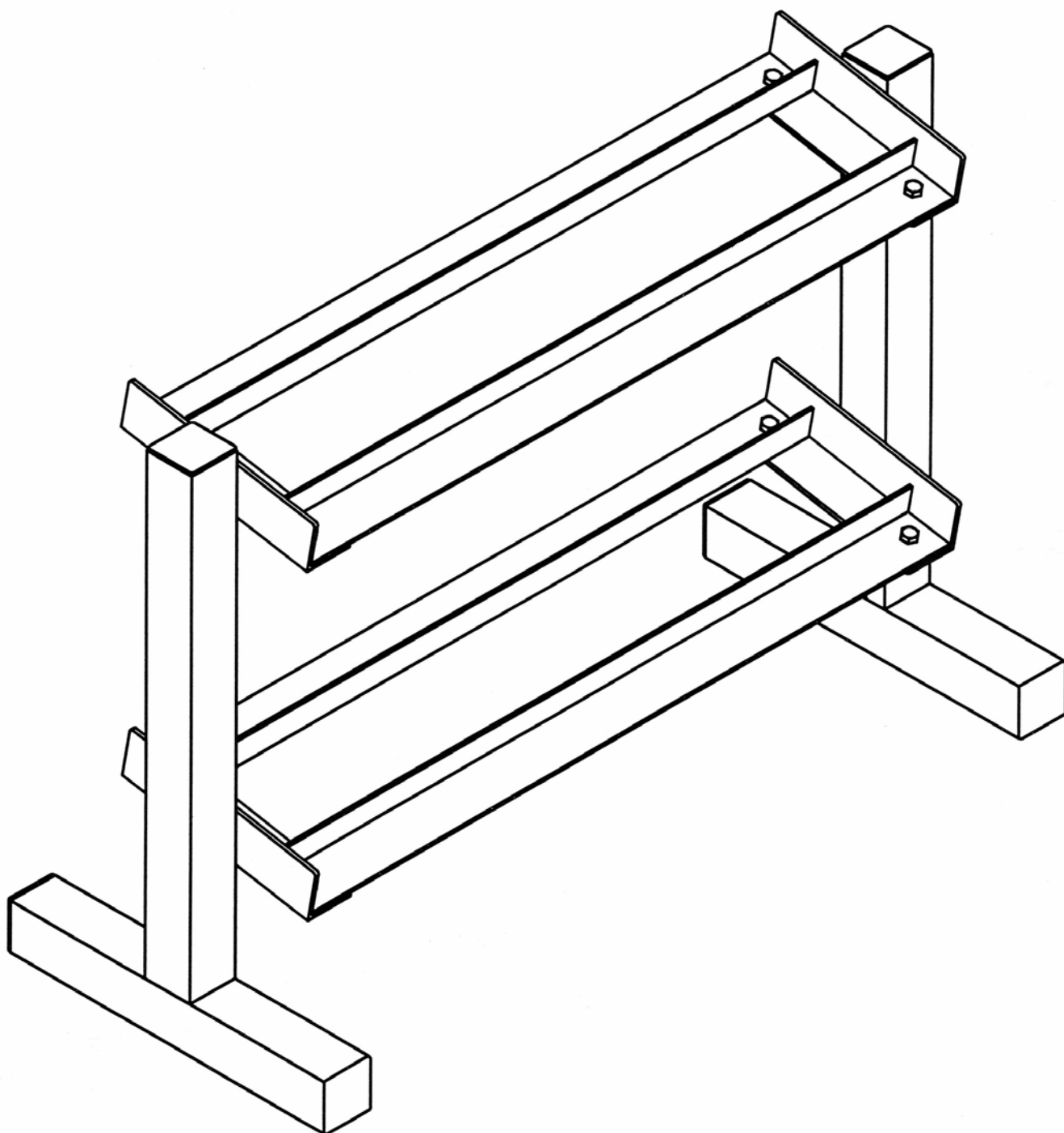


PDR-282



VERSION 1008

PDR-282

HARDWARE ILLUSTRATION SHEET

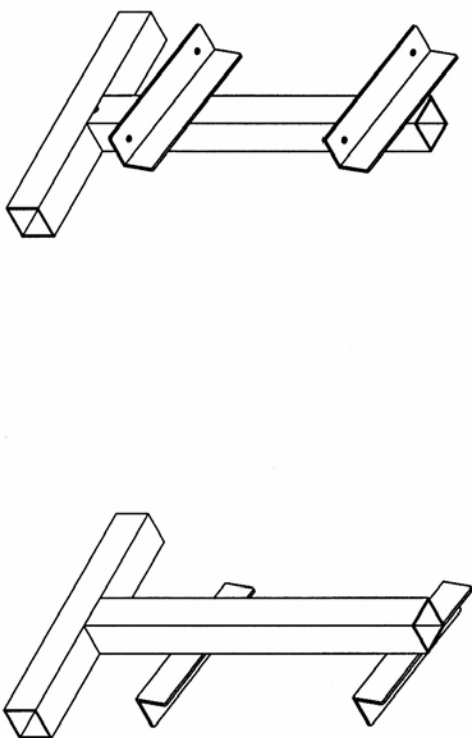
A1. M8X12L Hex Head Bolt	_____	Qty. [8PCS]
B1. M8 Lock Nut	_____	[8PCS]
D1. 50X1.8t End Cap (9211-005)	_____	[4PCS]
D2. 50X2.5t End Cap (9211-006)	_____	[2PCS]

A1. B1. D1. D2.



PARTS ILLUSTRATION SHEET

A [1PCS] B [1PCS]



C [4PCS]

