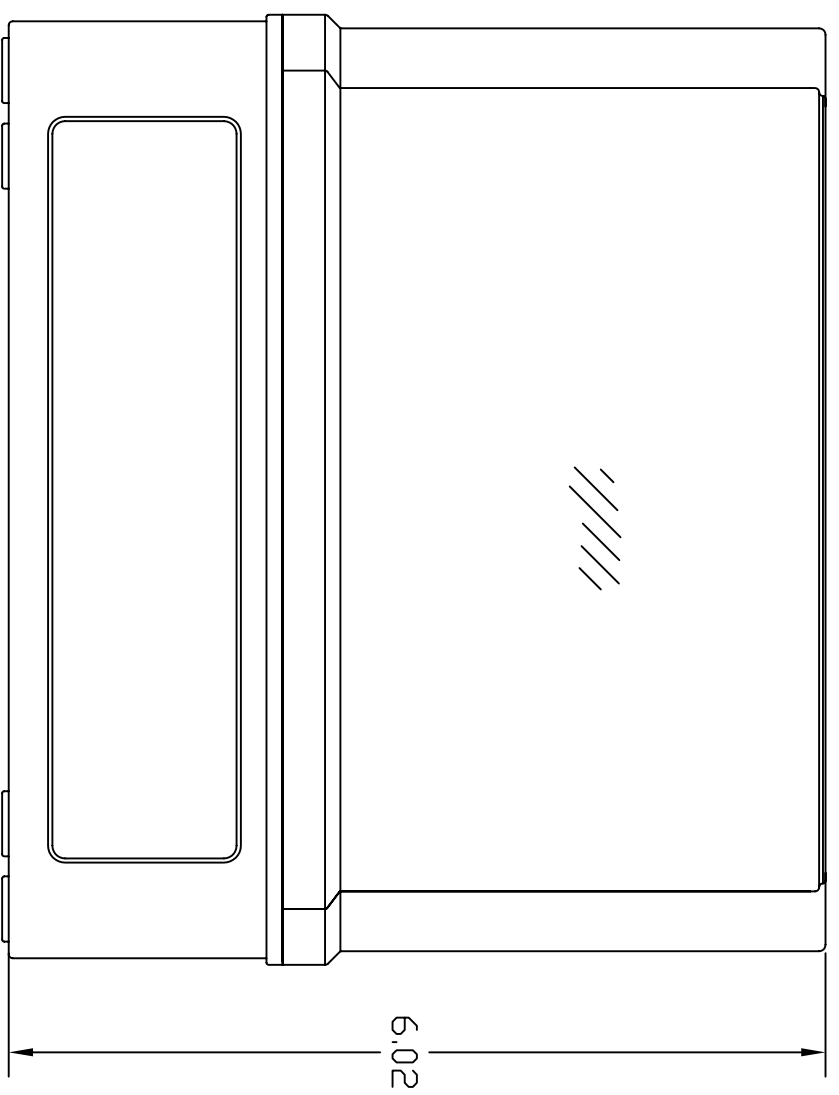
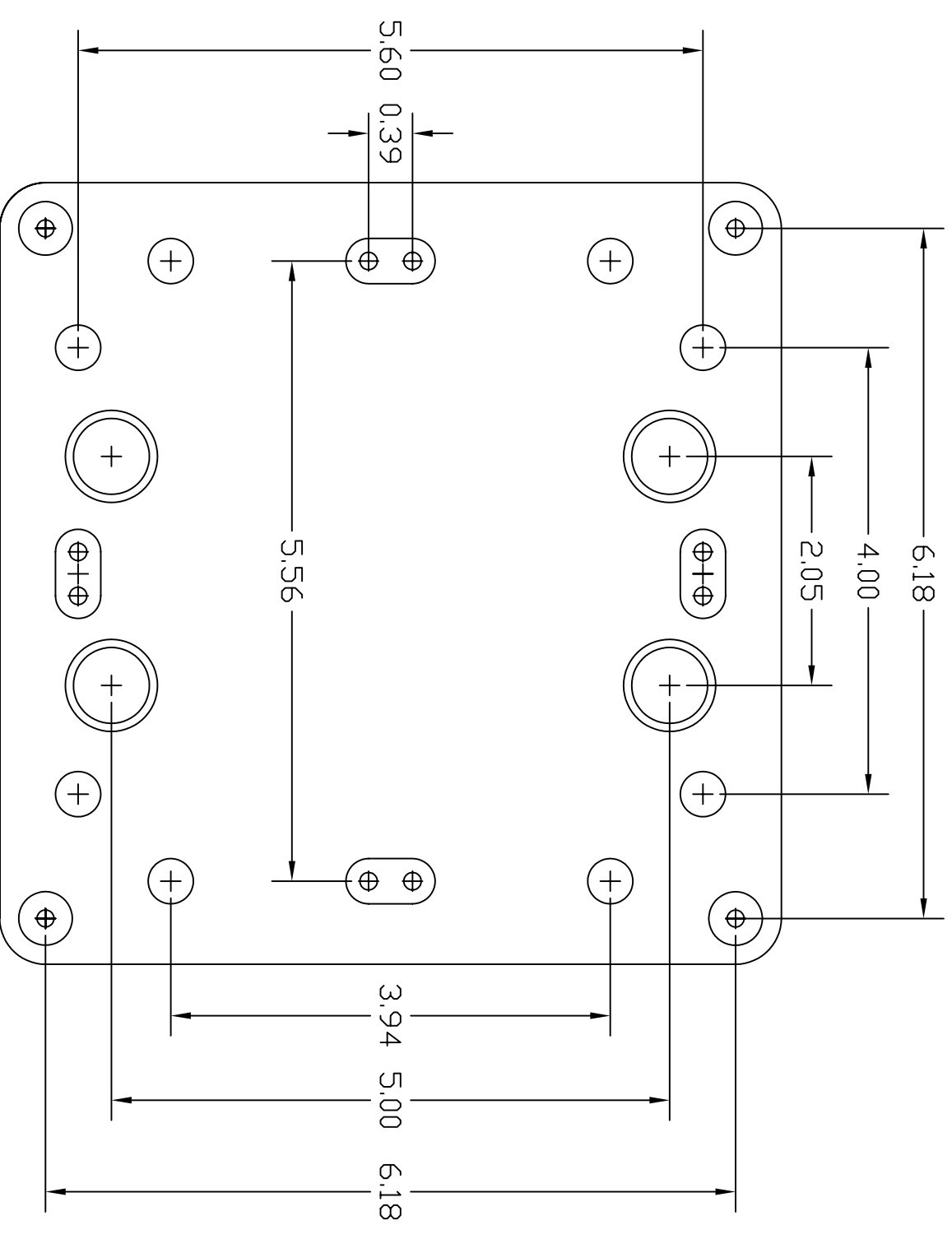


END VIEW



BOTTOM VIEW



NOTE:

1. DESIGNED FOR USE AS INSULATED ELECTRICAL JUNCTION BOXES, TERMINAL-WIRING BOXES, INSTRUMENT HOUSINGS, ELECTRICAL CONTROL BOXES AND PUSHBUTTON HOUSINGS IN WET, DUSTY AND/OR CORROSIVE ENVIRONMENTS.
2. OPAQUE COVERS AND ALL BASES ARE MADE OF IMPACT AND CORROSIVE RESISTANT VALOX 357U, RAL7035 COLOR
3. TRANSPARENT COVER IS MADE FROM POLYCARBONATE.
4. MOLDED INTERNAL BOSES FOR BACK PANEL, MOUNTING OF COMPONENTS OR DIN RAIL.
5. IP66 RATING, UL NEMA TYPE 3, 3R, 4, 4X, 12, & 13
CSA TYPE 2, 3, 4 & 5
6. ASTM D 648 UP TO 280°F HEAT DEFLECTION TEMP.
7. NON-METALLIC COVER SCREWS. TONGUE & GROOVE GASKET FITTING TO ENSURE TIGHT SEAL.
8. CONSULT FACTORY FOR CUSTOM MOLDED LOGO ON COVER.

THIS DRAWING IS THE CONFIDENTIAL AND PROPRIETARY PROPERTY OF VYNCKIER ENCLOSURE SYSTEMS, AND SHALL NOT BE REPRODUCED OR DISCLOSED TO OTHERS EXCEPT BY EXPRESS WRITTEN PERMISSION OF VYNCKIER ENCLOSURE SYSTEM INC.

UNLESS OTHERWISE SPECIFIED DIMENSIONS ARE IN INCHES TOLERANCES
XX ± .02
XXX ± .01
DO NOT SCALE DRAWING

VYNCKIER PART #		VM776CT	
ENCLOSURE SYSTEMS, INC.		ENCLOSURE	
DESIGNED BY:	T. SERRANO	CHECKED BY:	
DATE:	3/07/06	DATE:	
SCALE:	FULL	DRAWING NO.:	VM776CT



VM776CT
VM SERIES ENCLOSURE