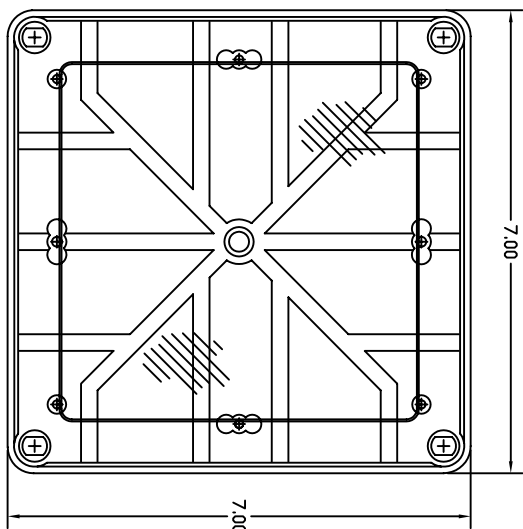
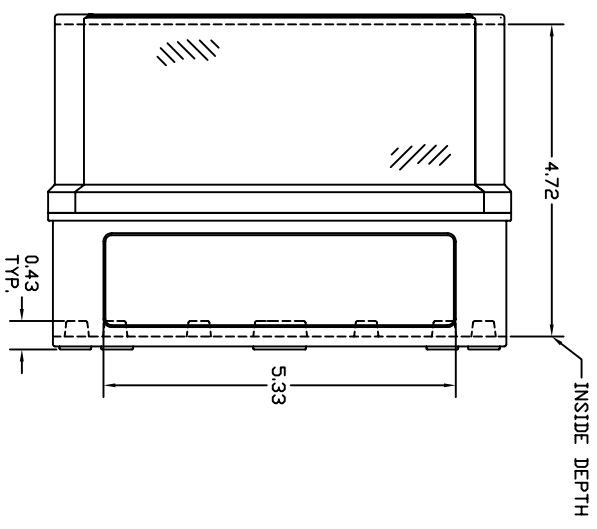


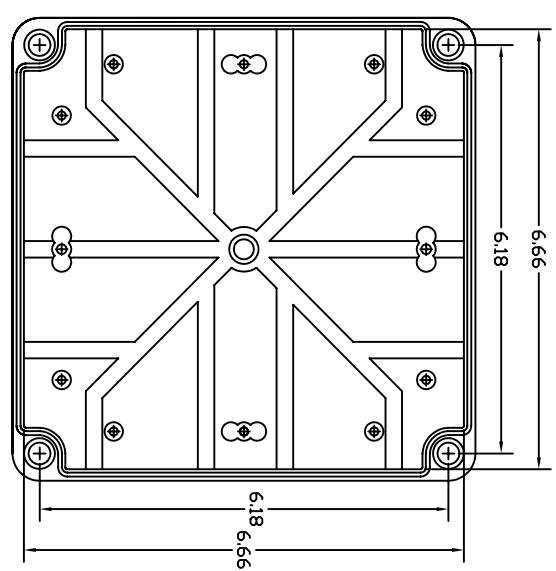
FRONT VIEW



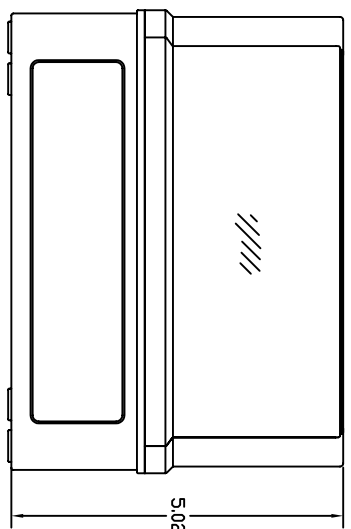
RIGHT SIDE VIEW



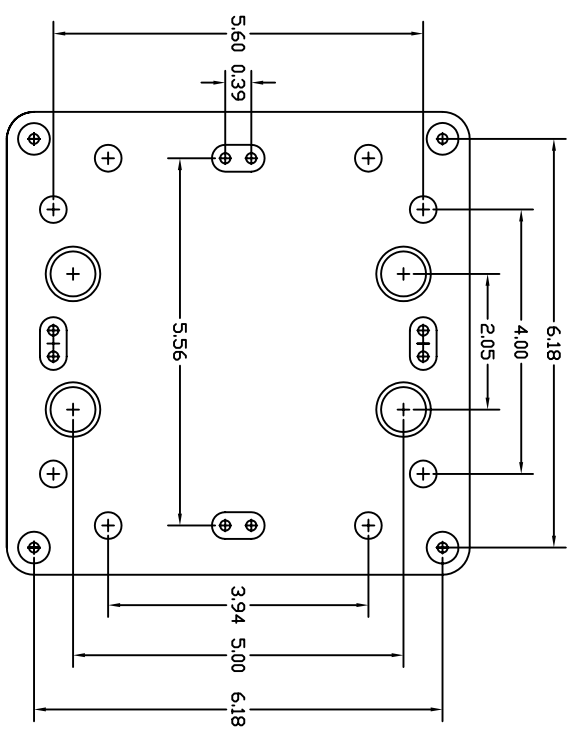
FRONT VIEW COVER REMOVED



END VIEW



BASE BACK VIEW



NOTES:

1. DESIGNED FOR USE AS INSULATED ELECTRICAL JUNCTION BOXES, TERMINAL-WIRING BOXES, INSTRUMENT HOUSINGS, ELECTRICAL CONTROL BOXES AND PUSHBUTTON HOUSINGS IN WET, DUSTY AND/OR CORROSIVE ENVIRONMENTS.
2. OPAQUE COVERS AND ALL BASES ARE MADE OF IMPACT AND CORROSIVE RESISTANT VALOX 357U, PAL7035 COLOR COMPONENTS OR DIN RAL.
3. TRANSPARENT COVER IS MADE FROM POLYCARBONATE.
4. MOLDED INTERNAL BOSSES FOR BACK PANEL MOUNTING OF CSA TYPE 2, 3, 4 & 5.
5. IP66 RATING, UL NEMA TYPE 3, 3R, 4, 4X, 12, & 13.
6. ASTM D 648 UP TO 280°F HEAT DEFLECTION TEMP.
7. NON-METALLIC COVER SCREWS, TONGUE & GROOVE GASKET FITTING TO ENSURE TIGHT SEAL.
8. CONSULT FACTORY FOR CUSTOM MOLDED LOGO ON COVER.

THIS DRAWING IS THE PROPERTY OF VYNCKER SYSTEMS, AND SHALL NOT BE REPRODUCED OR DISCLOSED TO OTHERS EXCEPT BY EXPRESS WRITTEN PERMISSION OF VYNCKER SYSTEMS, INC.

UNLESS OTHERWISE SPECIFIED DIMENSIONS ARE IN INCHES. XX, X, 0/8 DO NOT SCALE DRAWING DESIGNED BY:



VYNCKER PART # VM775CT
VYNCKER
 ENCLOSURE SYSTEMS, INC.

DRAWN BY: T. SERBANO	DATE: 8/30/06	CHECKED BY:	DATE:
SCALE: FULL	REV: 0	DRAWING NO. VM775CT	