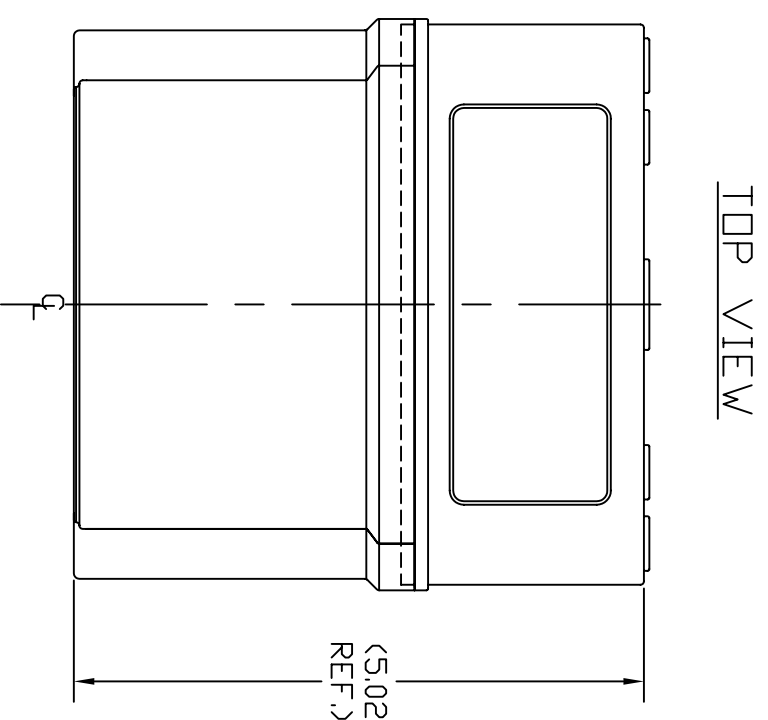


CUSTOMER APPROVAL

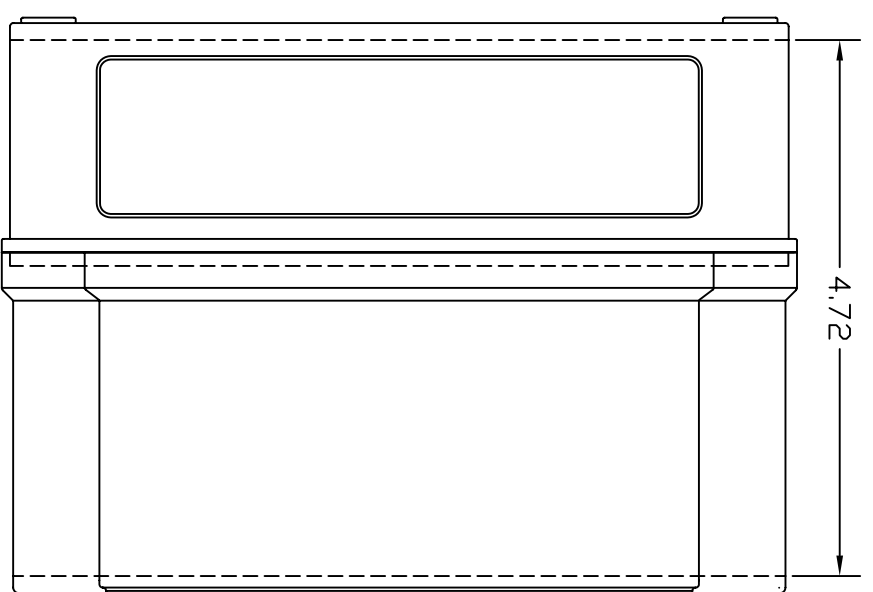
SIGN _____ DATE _____

PRINT NAME _____

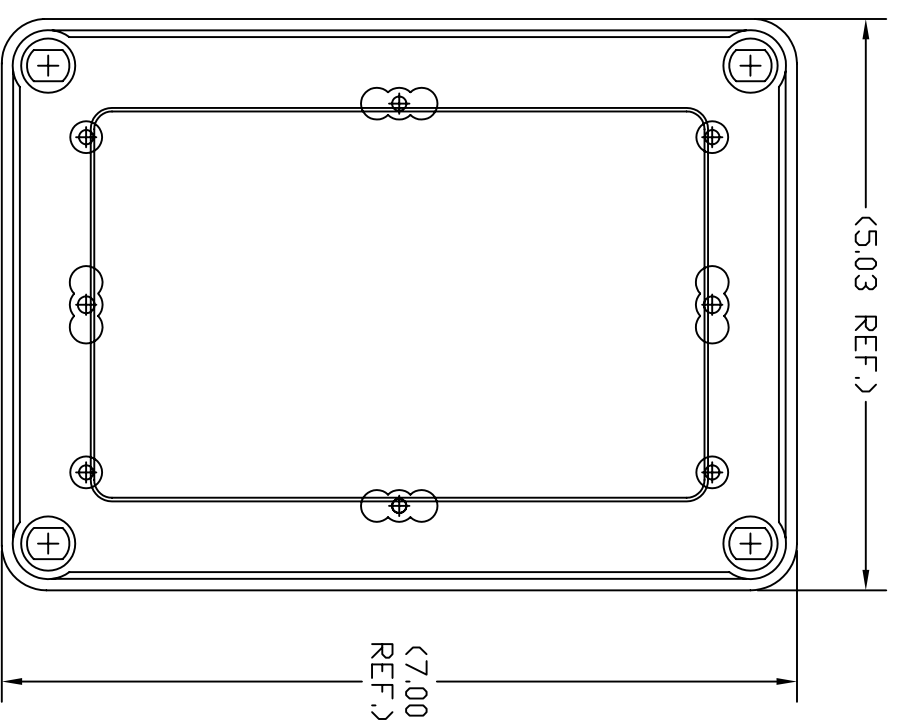
REVISIONS			DATE	APPROVED
ZONE	REV	DESCRIPTION	DATE	APPROVED



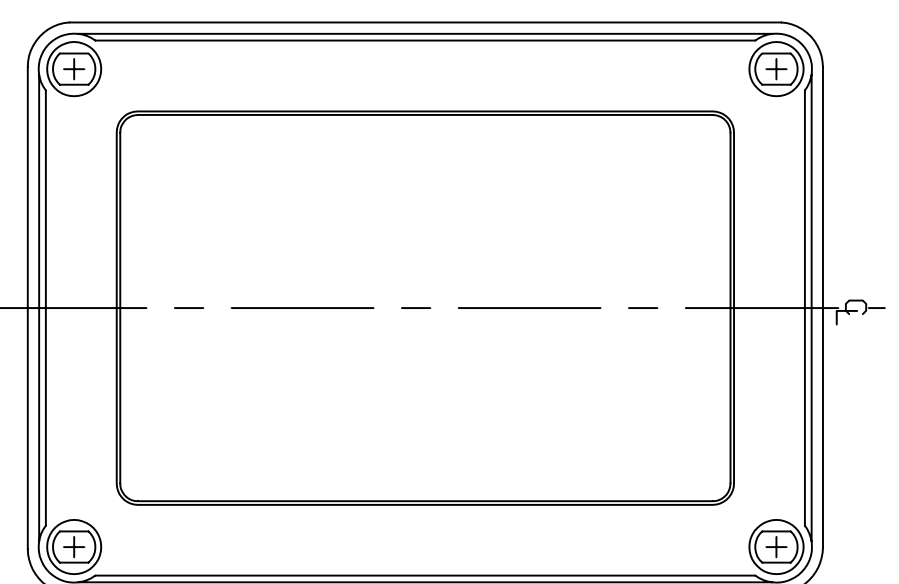
TOP VIEW



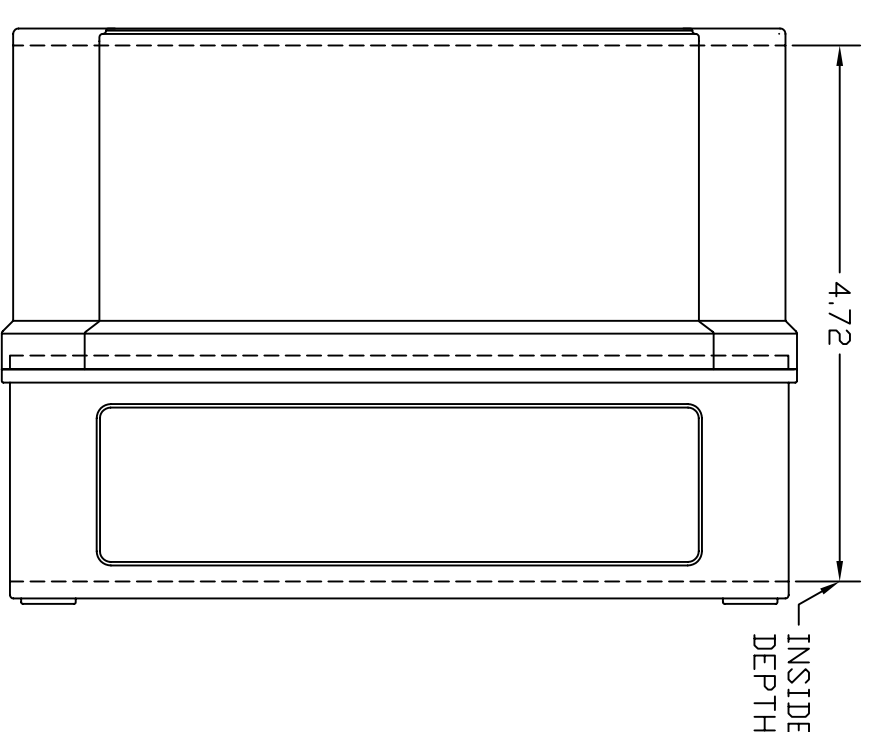
LEFT VIEW



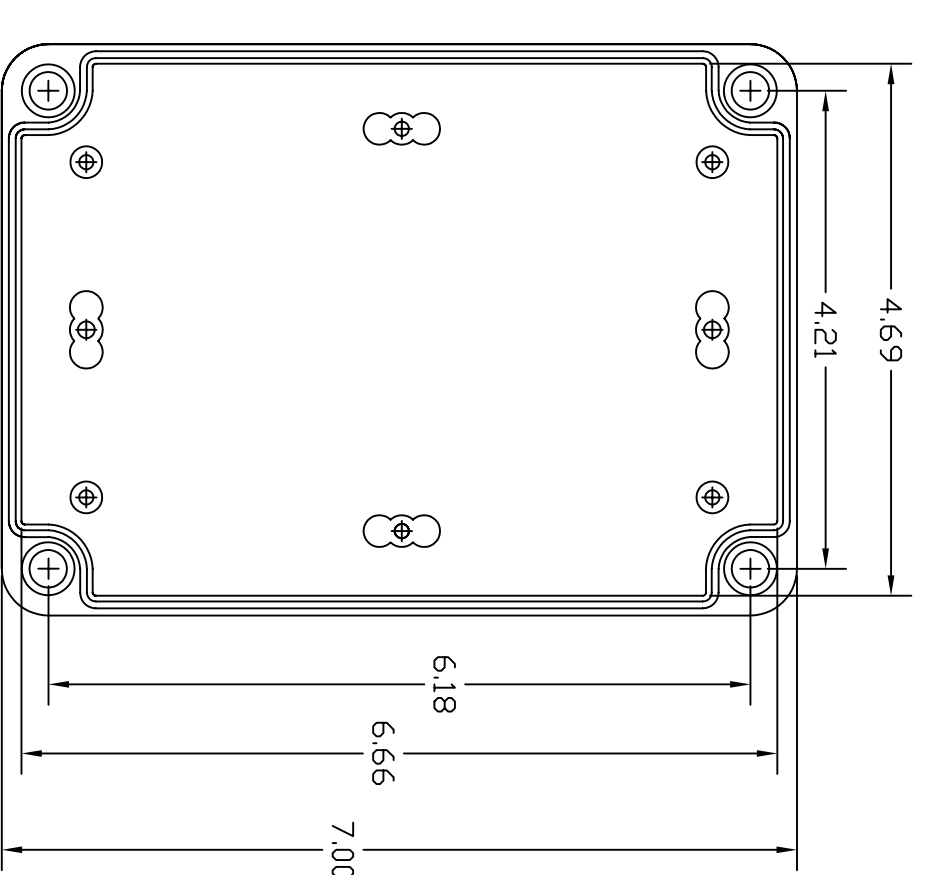
FRONT VIEW



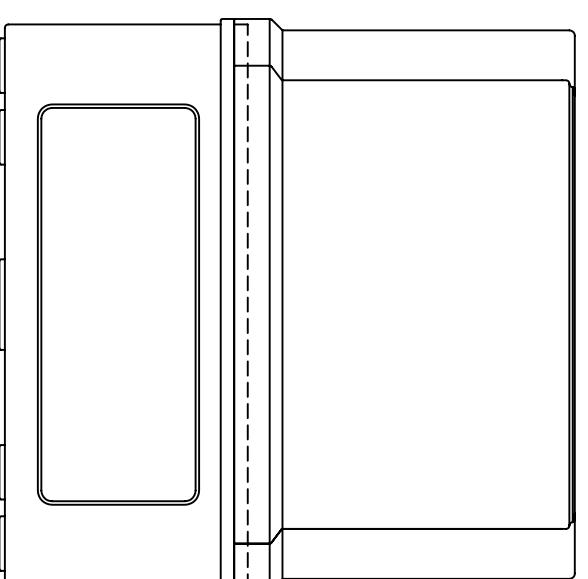
FRONT VIEW
BASE REMOVED



RIGHT VIEW



FRONT VIEW COVER REMOVED



END VIEW

- NOTES:**
1. SICK OPTIC'S PART# 5318494
 2. DESIGNED FOR USE AS INSULATED ELECTRICAL JUNCTION BOXES, TERMINAL-WIRING BOXES, INSTRUMENT HOUSINGS, ELECTRICAL CONTROL BOXES AND PUSHBUTTON HOUSINGS IN WET, DUSTY AND/OR CORROSIVE ENVIRONMENTS.
 3. OPAQUE COVERS AND ALL BASES ARE MADE OF IMPACT AND CORROSIVE RESISTANT VALOX 357U, RAL7035 COLOR
 4. TRANSPARENT COVER IS MADE FROM POLYCARBONATE.
 5. MOLDED INTERNAL BOSSES FOR BACK PANEL, MOUNTING OF COMPONENTS OR DIN RAIL.
 6. IP66 RATING; UL NEMA TYPE 3, 3R, 4, 4X, 12, & 13 CSA TYPE 2, 3, 4 & 5
 7. ASTM D 648 UP TO 280°F HEAT DEFLECTION TEMP.
 8. NON-METALLIC COVER SCREWS, TONGUE & GROOVE GASKET FITTING TO ENSURE TIGHT SEAL.
 9. CONSULT FACTORY FOR CUSTOM MOLDED LOGO ON COVER.

THIS DRAWING IS THE CONFIDENTIAL AND PROPRIETARY PROPERTY OF VYNCKIER ENCLOSURE SYSTEMS, AND SHALL NOT BE REPRODUCED, COPIED, DISCLOSED TO OTHERS EXCEPT BY EXPRESS WRITTEN PERMISSION OF VYNCKIER ENCLOSURE SYSTEM, INC.

UNLESS OTHERWISE SPECIFIED DIMENSIONS ARE IN INCHES TOLERANCES
XX ± .02
XXX ± .01
DO NOT SCALE DRAWING
DESIGNED BY:

VYNCKIER PART # **VM755CT**
ENCLOSURE SYSTEMS, INC.

VYNCKIER
ENCLOSURE SYSTEMS, INC.

DRAWN BY: I. SERRANO	DATE: 2/24/06	CHECKED BY:	DATE:
SCALE: FULL	REV: 0	DRAWING NO.:	VM755CT