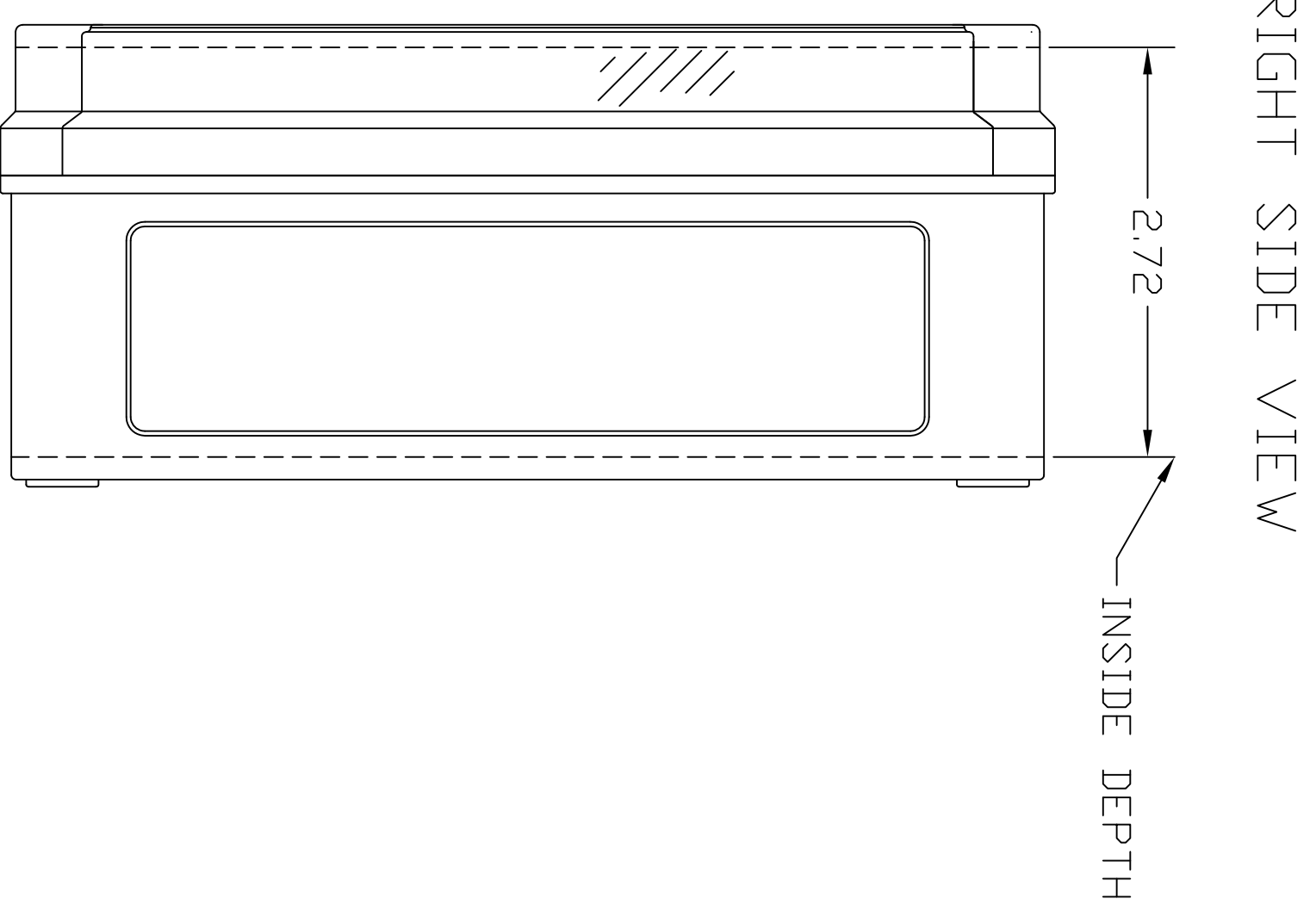
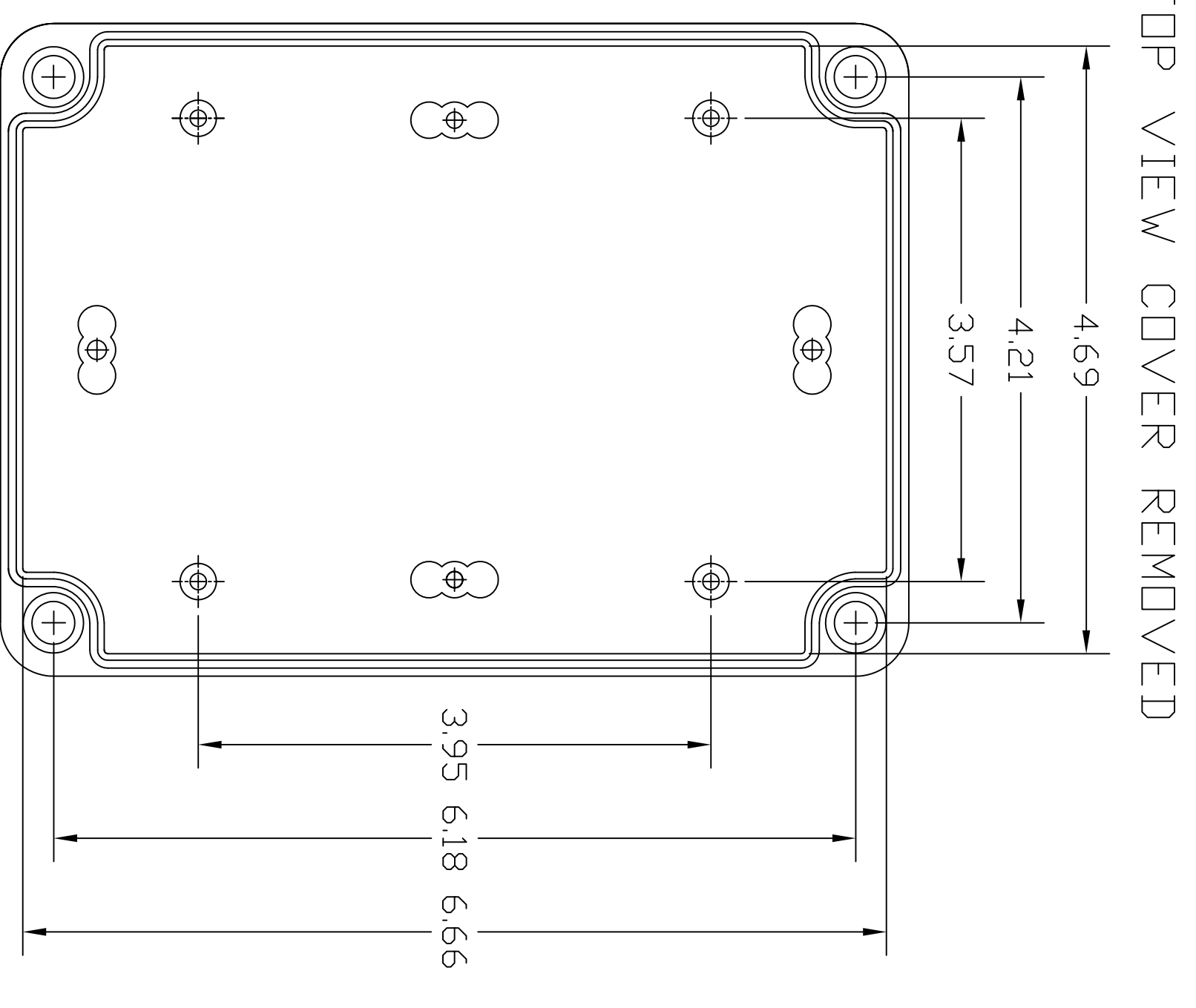


TOP VIEW

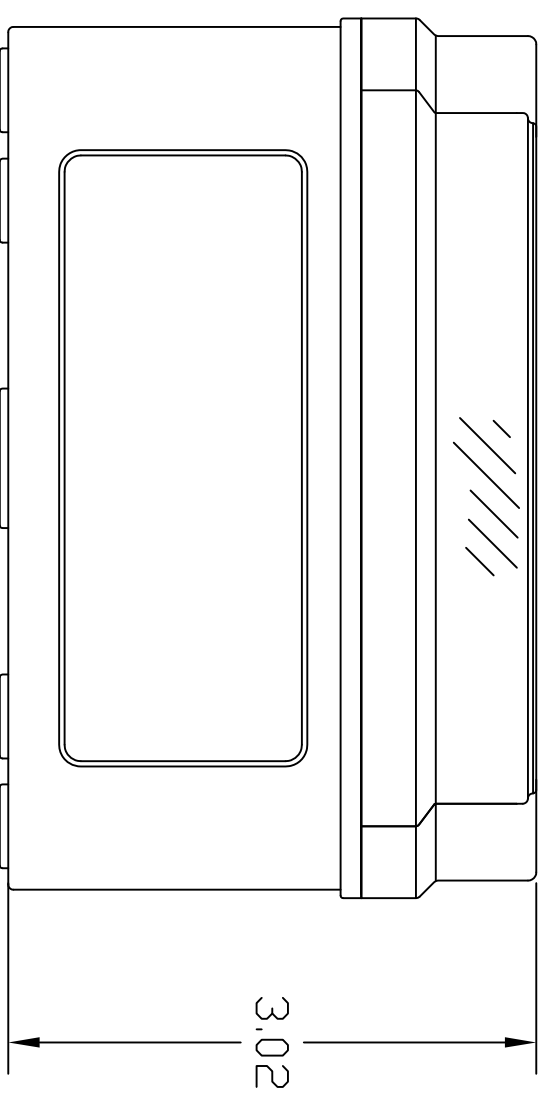


RIGHT SIDE VIEW



TOP VIEW COVER REMOVED

FRONT VIEW



- NOTE:
1. DESIGNED FOR USE AS INSULATED ELECTRICAL JUNCTION BOXES, TERMINAL-WIRING BOXES, INSTRUMENT HOUSINGS, ELECTRICAL CONTROL BOXES AND PUSHBUTTON HOUSINGS IN WET, DUSTY AND/OR CORROSIVE ENVIRONMENTS.
 2. OPAQUE COVERS AND ALL BASES ARE MADE OF IMPACT AND CORROSIVE RESISTANT VALOX 357U, RAL7035 COLOR
 3. TRANSPARENT COVER IS MADE FROM POLYCARBONATE.
 4. MOLDED INTERNAL BOSSES FOR BACK PANEL, MOUNTING OF COMPONENTS OR DIN RAIL.
 5. ASTM D 648 UP TO 280°F HEAT DEFLECTION TEMP.
 6. NON-METALLIC COVER SCREWS. TONGUE & GROOVE GASKET FITTING TO ENSURE TIGHT SEAL.
 7. CONSULT FACTORY FOR CUSTOM MOLDED LOGO ON COVER.

THIS DRAWING IS THE CONFIDENTIAL AND PROPRIETARY PROPERTY OF VYNCKIER ENCLOSURE SYSTEMS, AND SHALL NOT BE REPRODUCED OR DISCLOSED TO OTHERS EXCEPT BY EXPRESS WRITTEN PERMISSION OF VYNCKIER ENCLOSURE SYSTEM INC.

UNLESS OTHERWISE SPECIFIED DIMENSIONS ARE IN INCHES TOLERANCES
XXX ± .02
XXX ± .01

DD NOT SCALE DRAWING

DESIGNED BY:



VYNCKIER
ENCLOSURE SYSTEMS, INC.

VYNCKIER PART #

VM753CT
VM SERIES ENCLOSURE

DRAWN BY:

T. SERRAND

CHECKED BY:

DATE:

SCALE:

FULL

REV:

0

DRAWING NO.

VM753CT