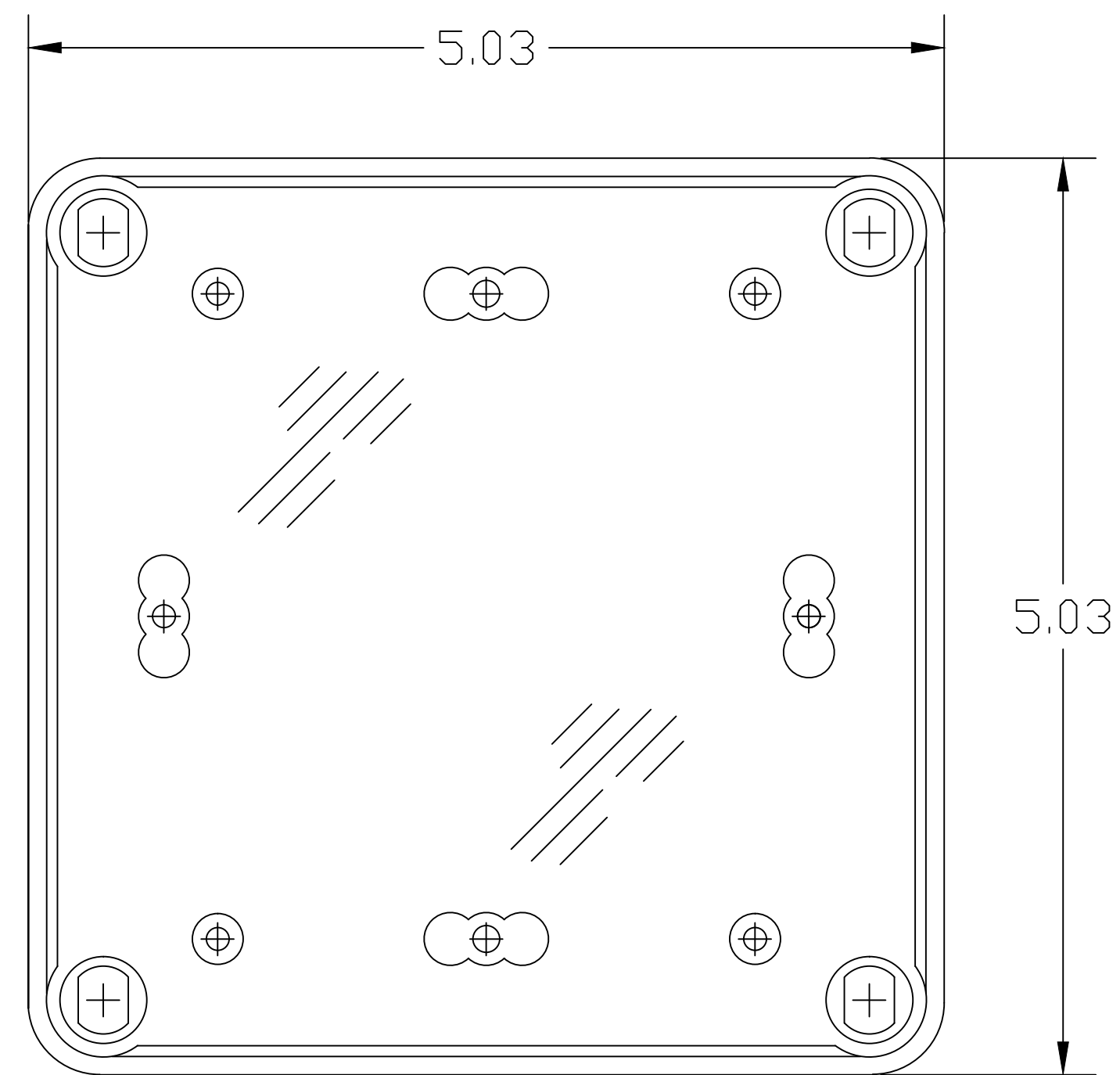
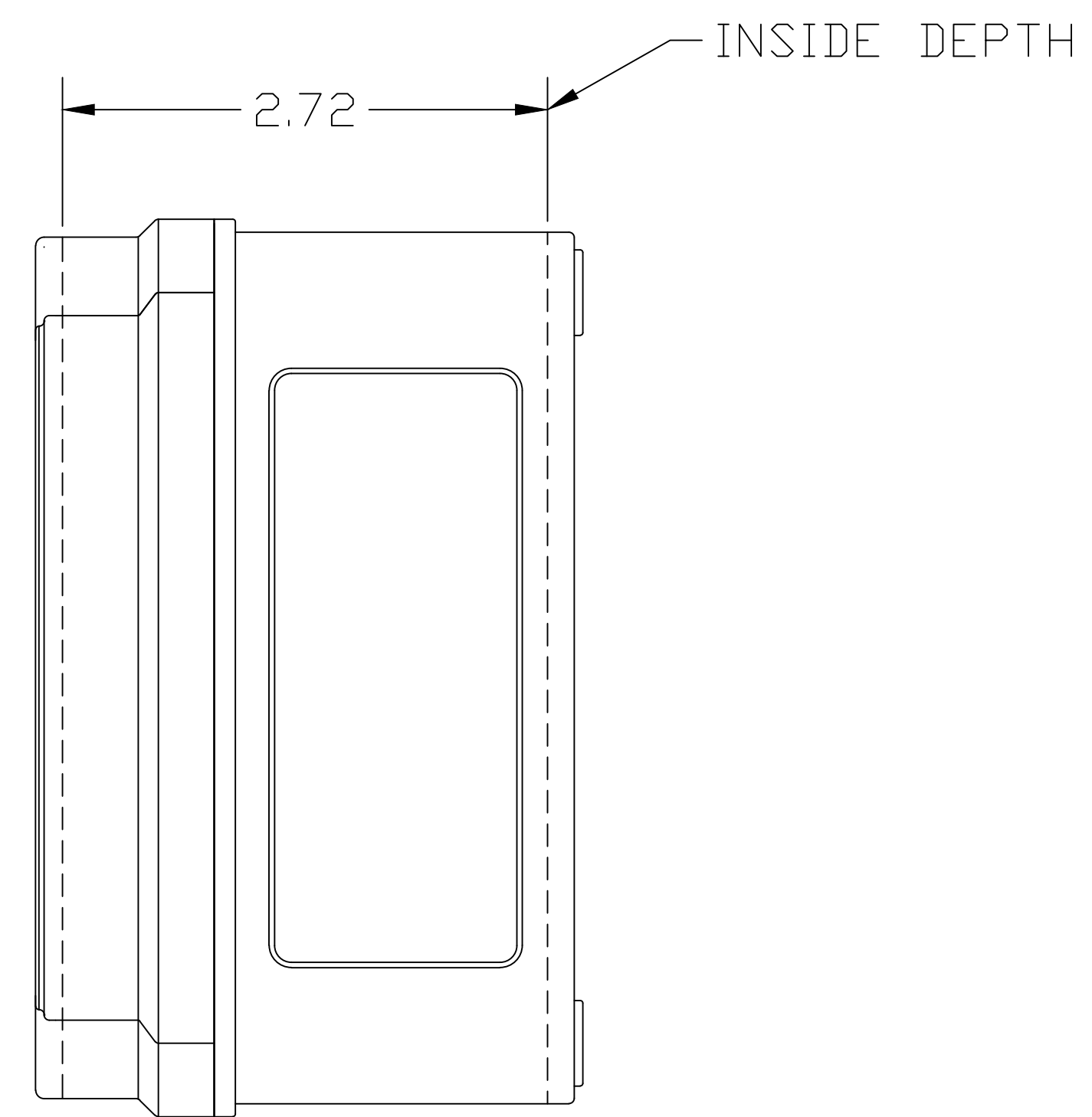


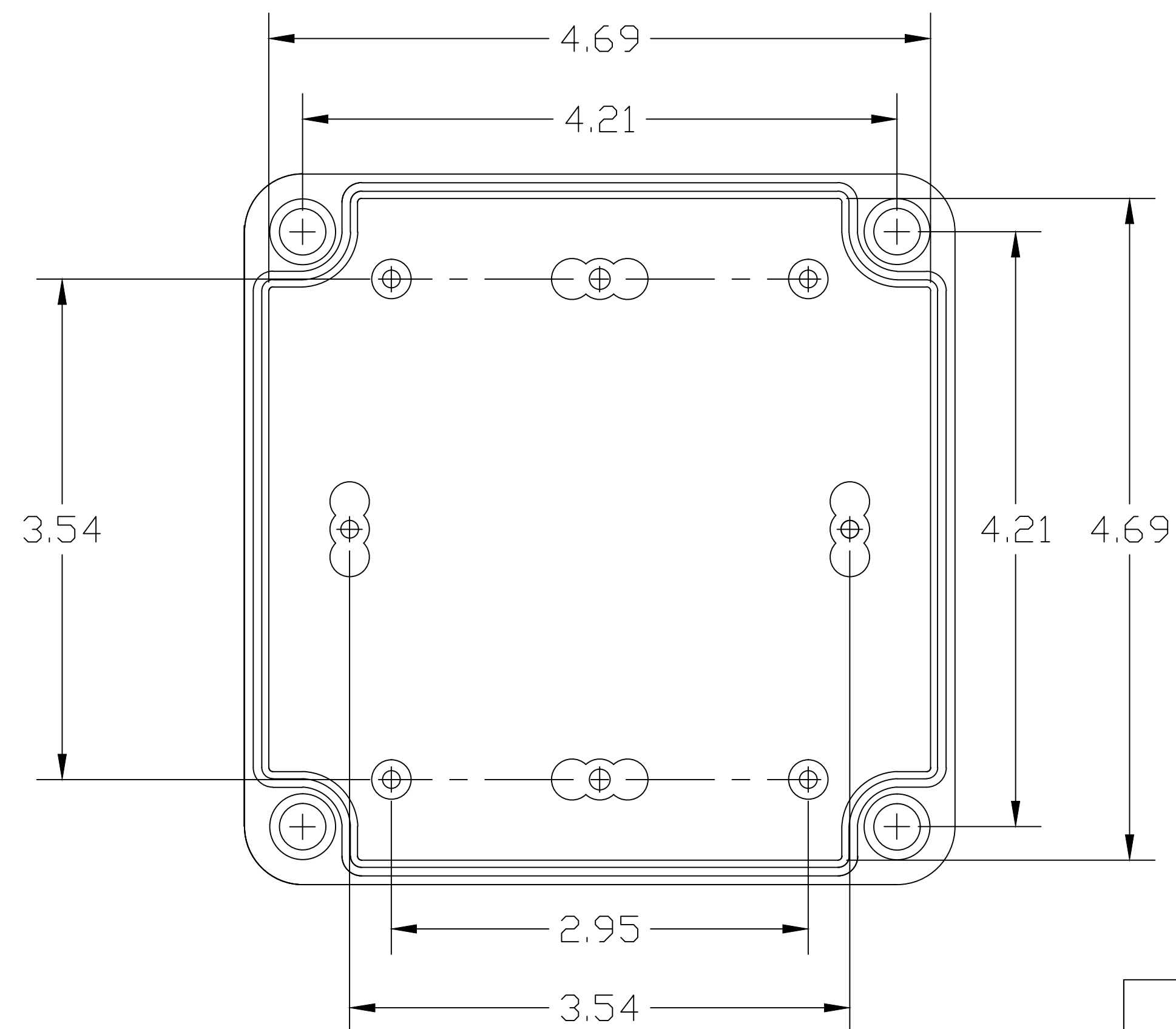
FRONT VIEW



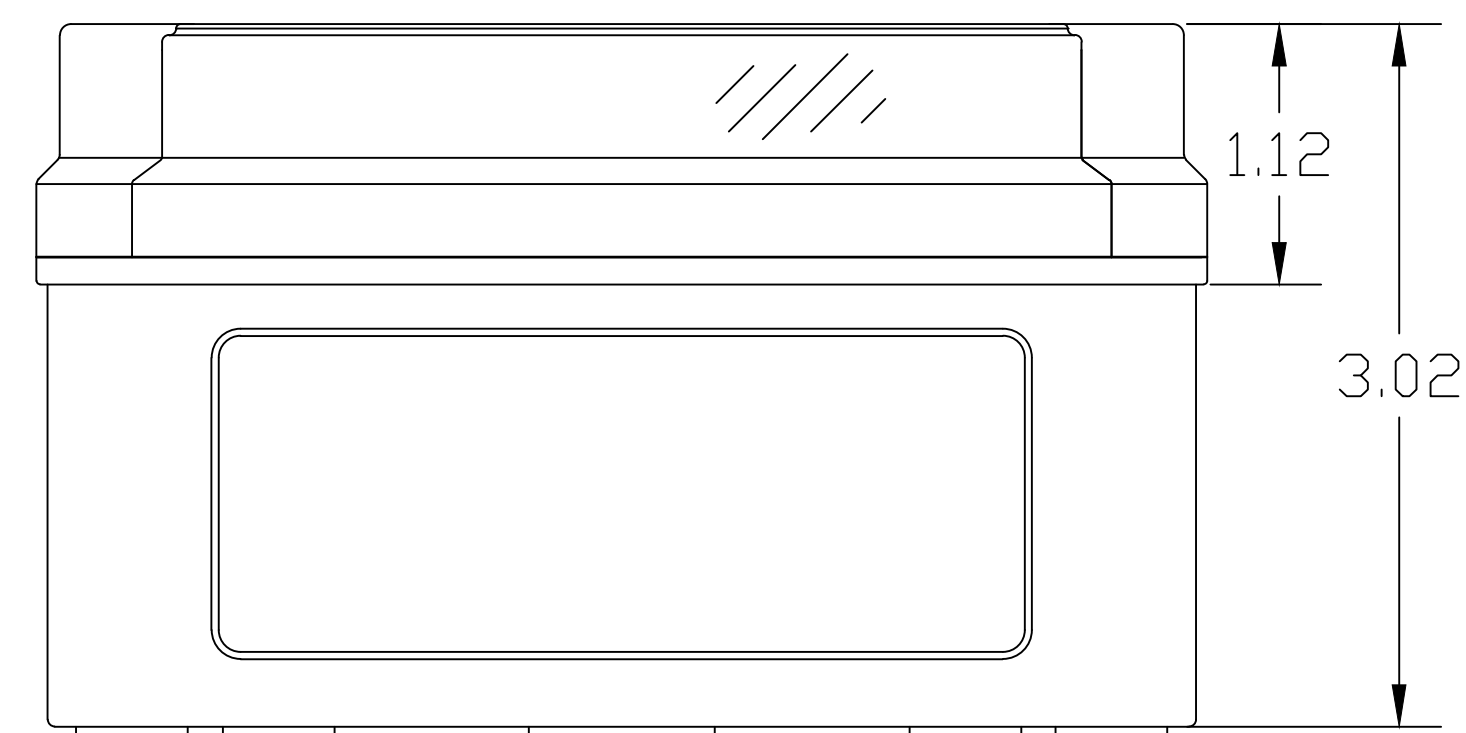
RIGHT SIDE VIEW



FRONT VIEW COVER REMOVED




END VIEW



THIS DRAWING IS THE
CONFIDENTIAL AND
PROPRIETARY PROPERTY OF
VYNCKIER ENCLOSURE
SYSTEMS, AND SHALL NOT
BE REPRODUCED OR
DISCLOSED TO OTHERS
EXCEPT BY EXPRESS
WRITTEN PERMISSION OF
VYNCKIER ENCLOSURE
SYSTEM INC.

UNLESS OTHERWISE SPECIFIED
DIMENSIONS ARE IN INCHES
TOLERANCES
.XX ± .02
.XXX ± .01
DO NOT SCALE DRAWING

 VYNCKIER ENCLOSURE SYSTEMS, INC.		VYNCKIER PART #	
		VM553CT VM SERIES ENCLOSURE	
DRAWN BY:	DATE:	CHECKED BY:	DATE:
T. SERRANO	04/02/02		
DESIGNED BY:	REV:	DRAWING NO.	
	0	VM553	