

6

5

4

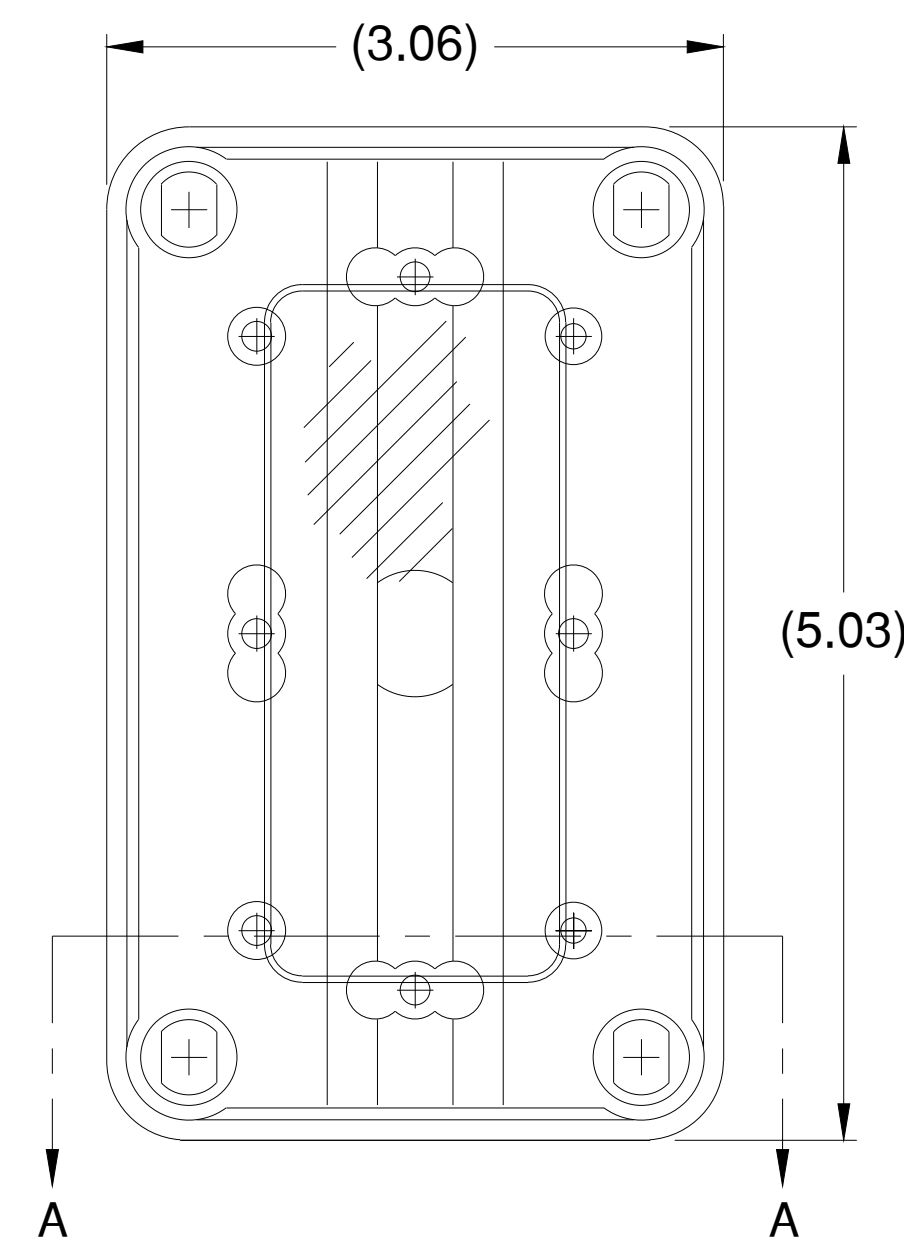
3

2

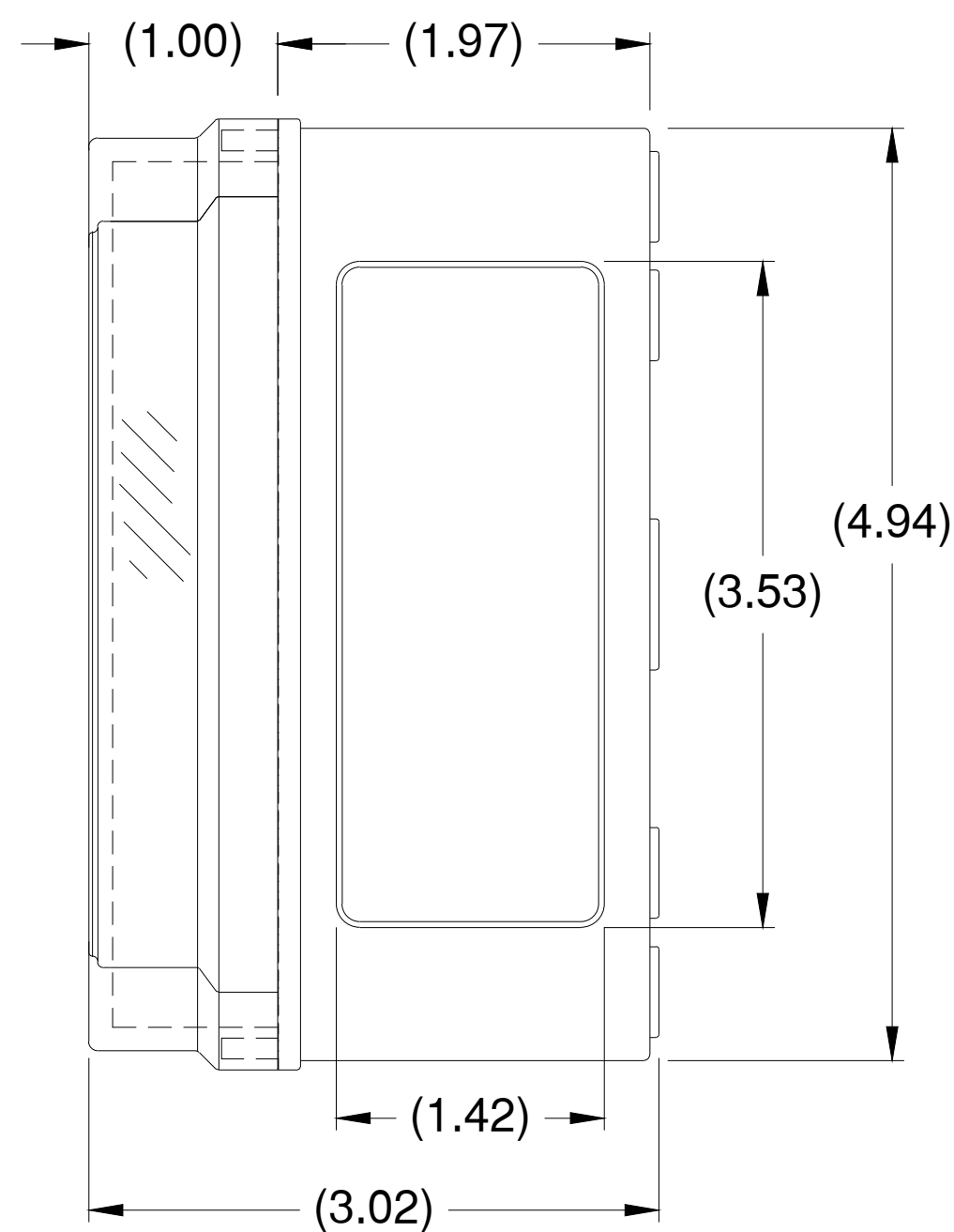
1

REVISIONS				
ZONE	REV	DESCRIPTION	DATE	APPROVED
ALL	-	INITIAL RELEASE	10/14/2015	-

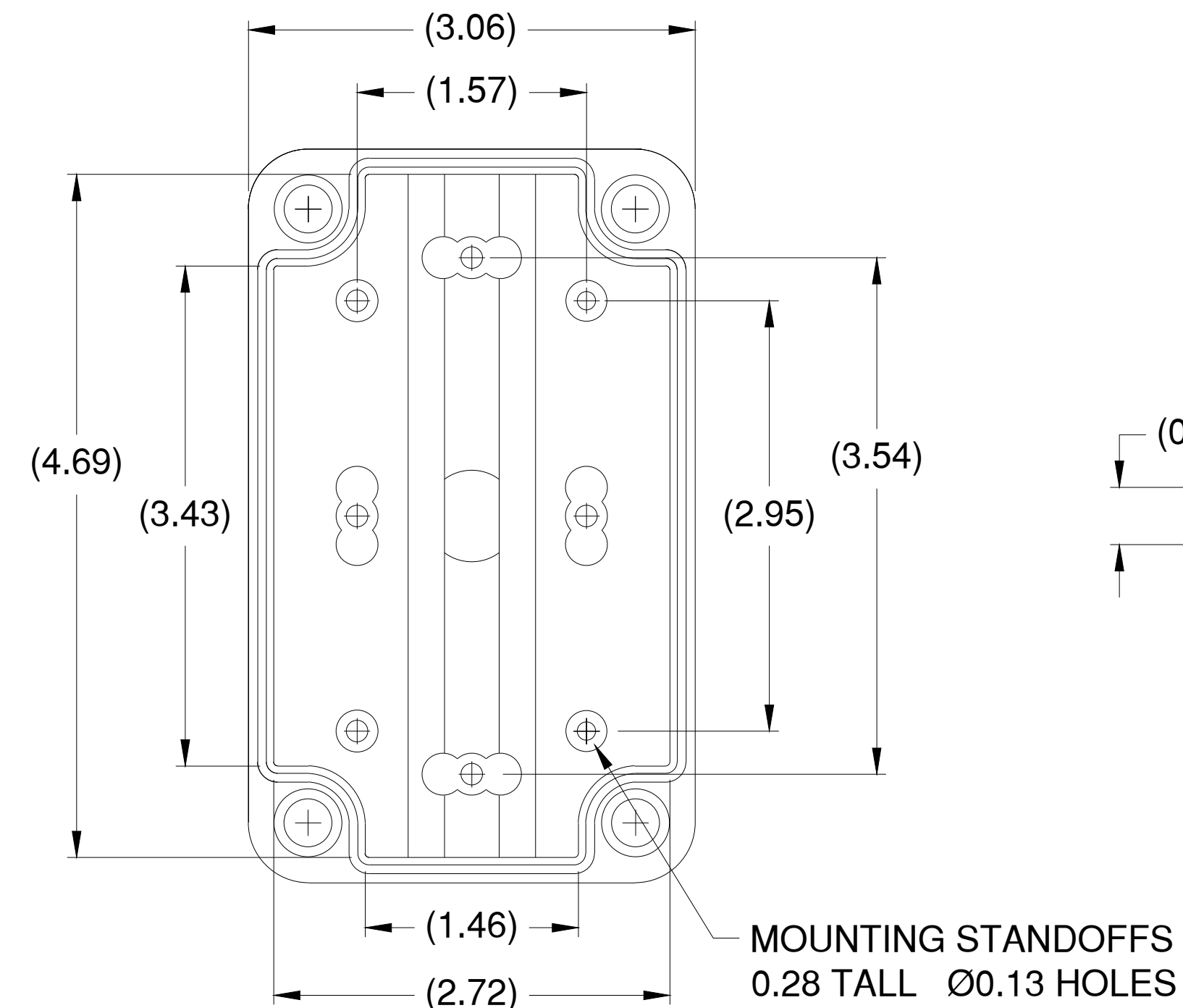
FRONT VIEW



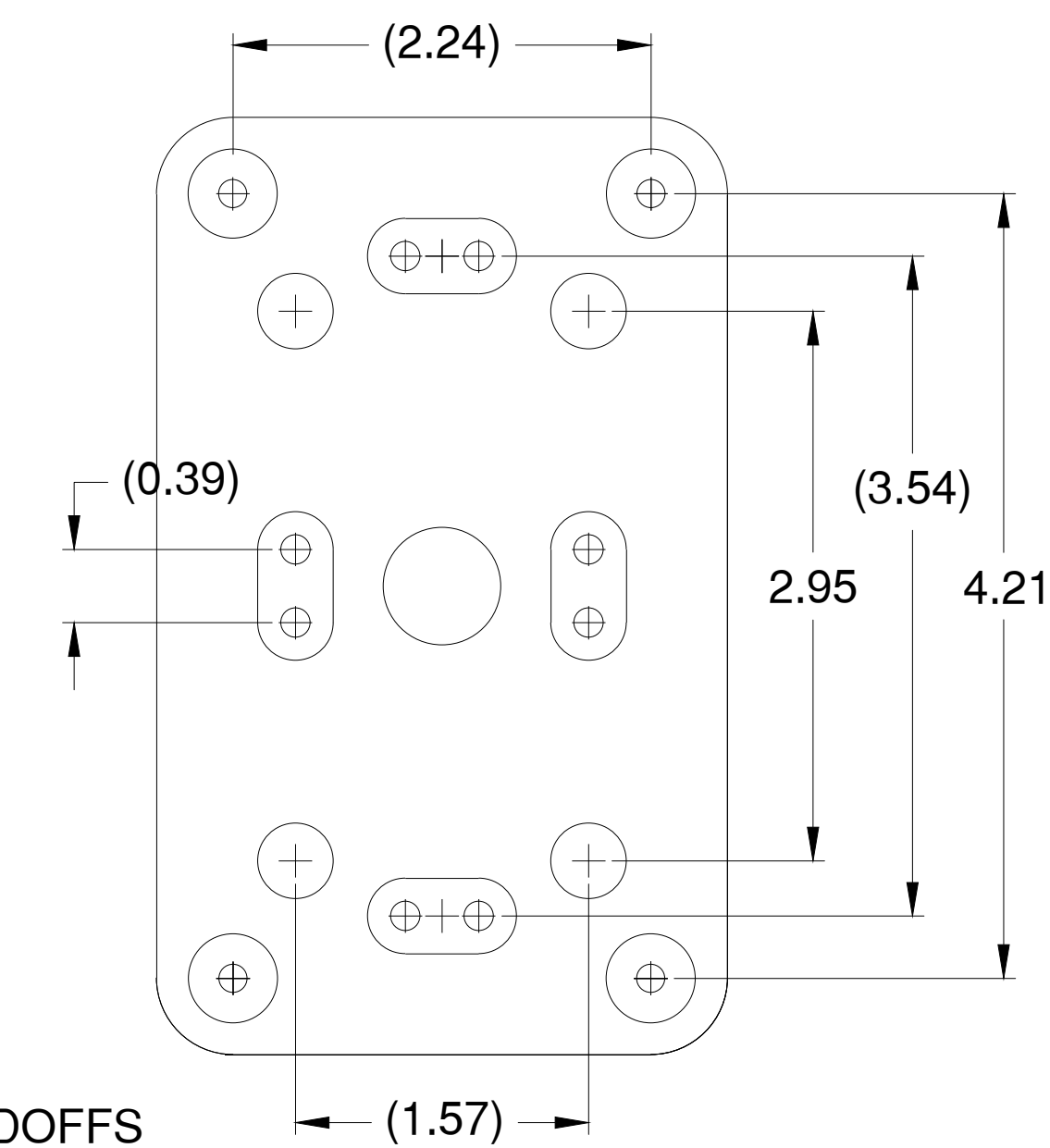
RIGHT SIDE VIEW



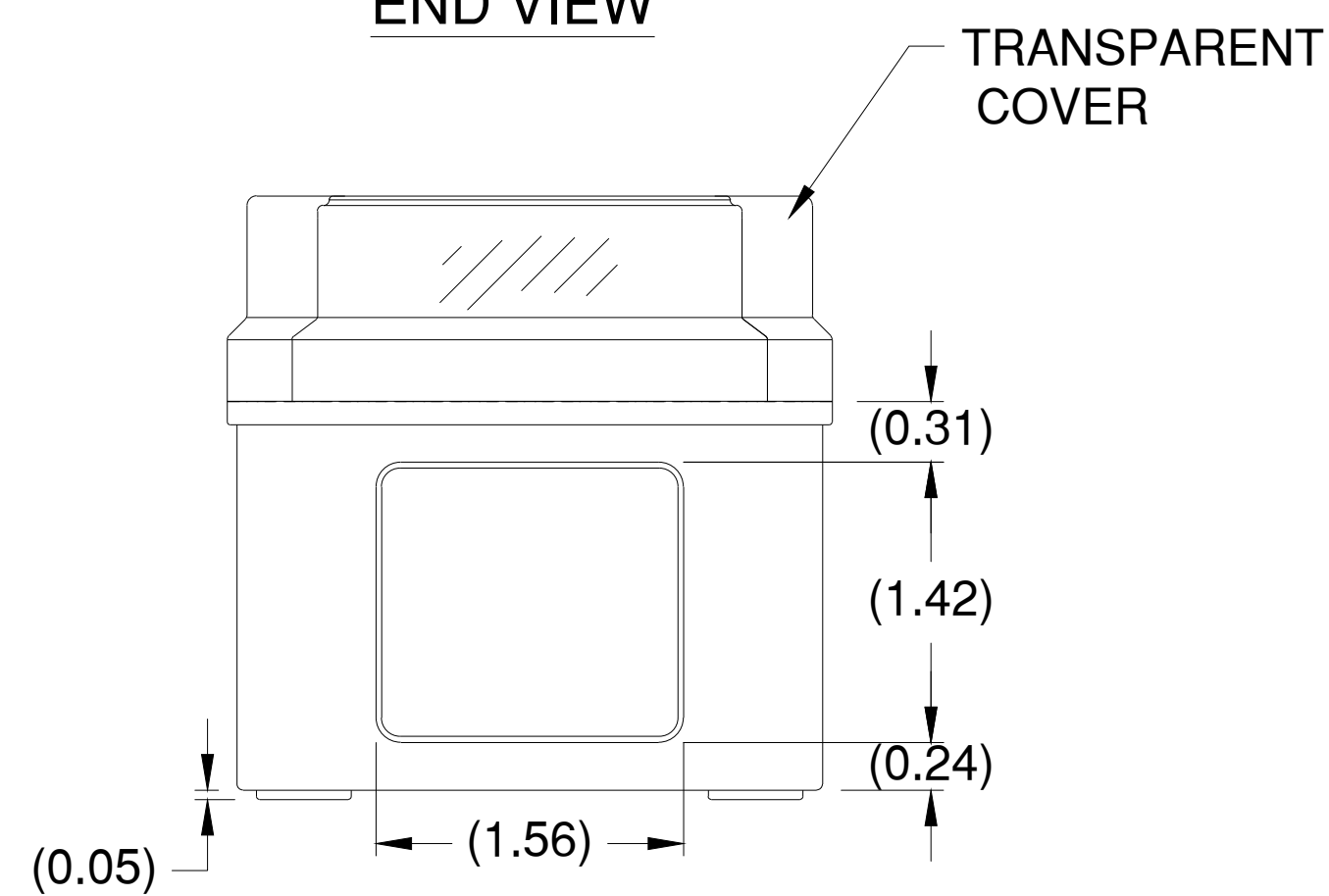
FRONT VIEW COVER REMOVED



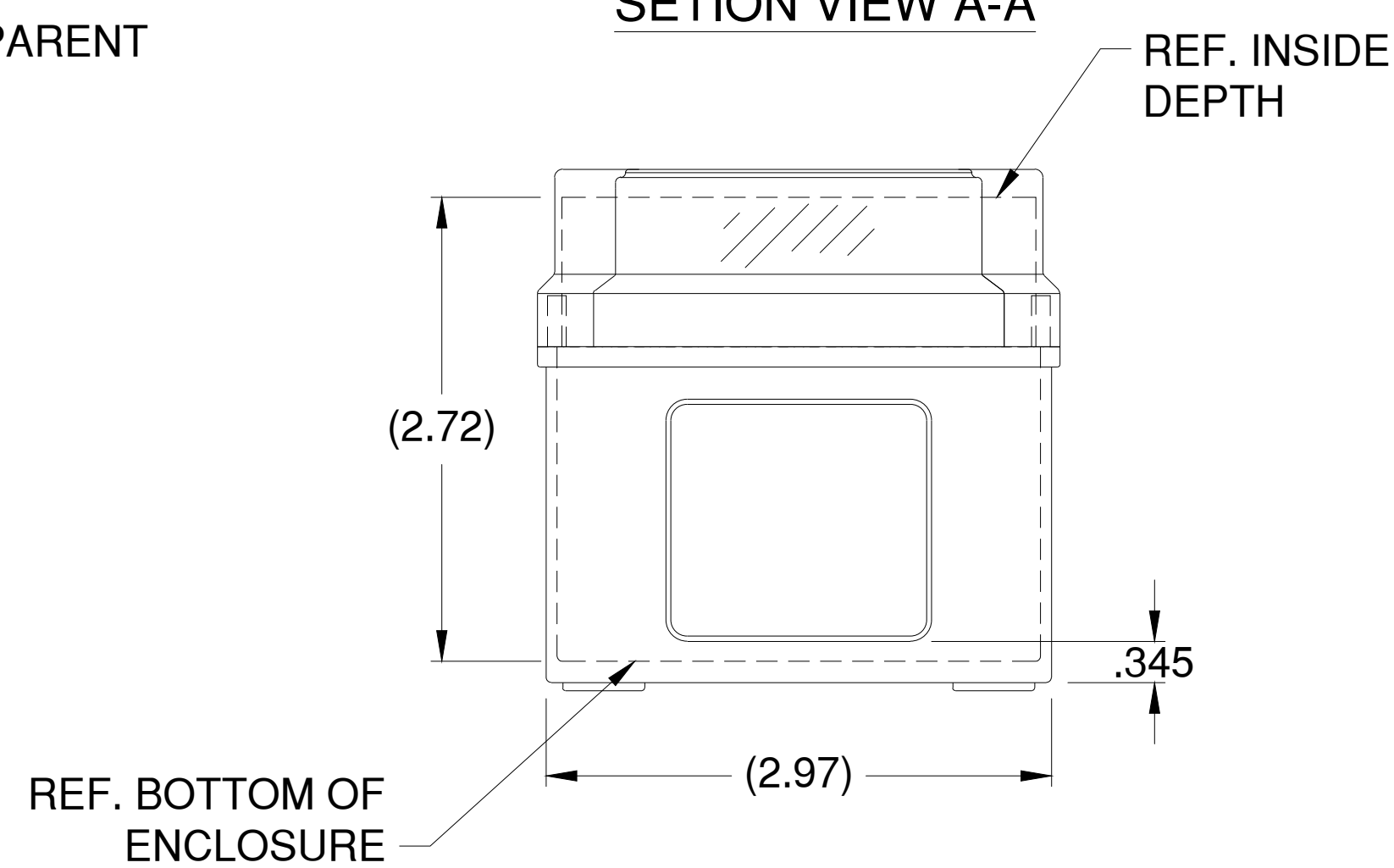
BOTTOM VIEW



END VIEW



SECTION VIEW A-A



GENERAL ENCLOSURE NOTES:

- DESIGNED FOR USE AS INSULATED ELECTRICAL JUNCTION BOXES, TERMINAL-WIRING BOXES, INSTRUMENT HOUSINGS, ELECTRICAL CONTROL BOXES AND PUSHBUTTON HOUSINGS IN WET, DUSTY AND/OR CORROSIVE ENVIRONMENTS.
- OPAQUE COVERS AND ALL BASES ARE MADE OF IMPACT AND CORROSIVE RESISTANT VALOX 357U, RAL7035 COLOR
- TRANSPARENT COVER IS MADE FROM POLYCARBONATE.
- MOLDED INTERNAL BOSSES FOR BACK PANEL, MOUNTING OF COMPONENTS OR DIN RAIL.
- RATED IP66; UL NEMA TYPE 3, 3R, 4, 4X, 12, & 13; & CSA TYPE 2, 3, 4 & 5
- ASTM D 648 UP TO 280°F HEAT DEFLECTION TEMP.
- NON-METALLIC COVER SCREWS. TONGUE & GROOVE GASKET FITTING TO ENSURE TIGHT SEAL.
- CONSULT FACTORY FOR CUSTOM MOLDED LOGO ON COVER.

DRAWN AARON BANKS	DATE 10/14/2015	UNLESS OTHERWISE SPECIFIED: DIMENSIONS ARE IN INCHES	
CHECKED		TOLERANCES: DECIMALS: .XX ± .020 .XXX ± .010	
DESIGN		ANGLES: ± 1° HOLE Ø: ± .010	<b>VM533 SERIES ENCLOSURE</b> <b>VYNCKIER PART# VM533CT</b>
THIS DRAWING IS THE CONFIDENTIAL AND PROPRIETARY PROPERTY OF VYNCKIER ENCLOSURE SYSTEMS INC., AND SHALL NOT BE REPRODUCED OR DISCLOSED TO OTHERS EXCEPT BY EXPRESS WRITTEN PERMISSION OF VYNCKIER ENCLOSURE SYSTEMS INC.		DIMENSIONS IN PARENTHESIS ARE SHOWN FOR REFERENCE SIZE: <b>B</b> FSCM NO. DWG. NO. VM533CT REV. -	
SCALE: FULL		DO NOT SCALE DRAWING	SHEET: 1 OF 1

6

5

4

3

2

1

D

D

C

C

B

B

A

A