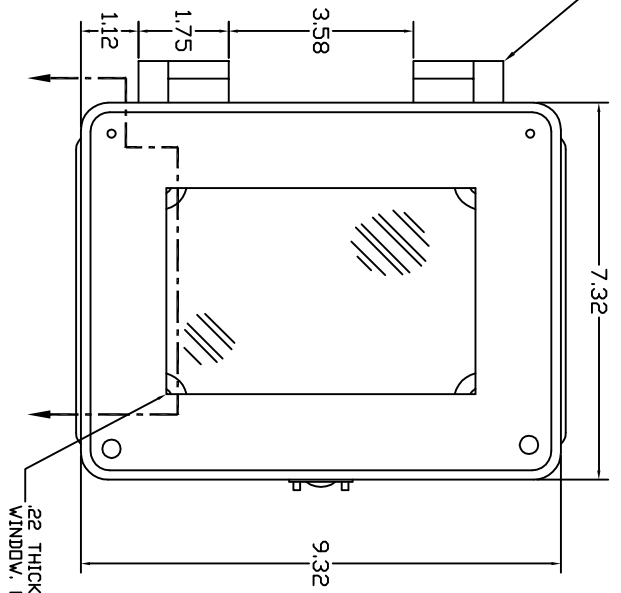
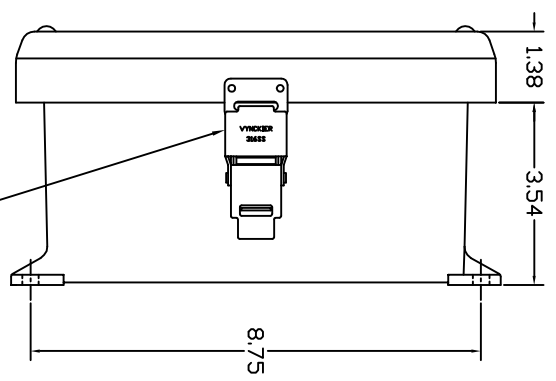


SET OF NON METALLIC HINGES MADE OF POLYIMIDE

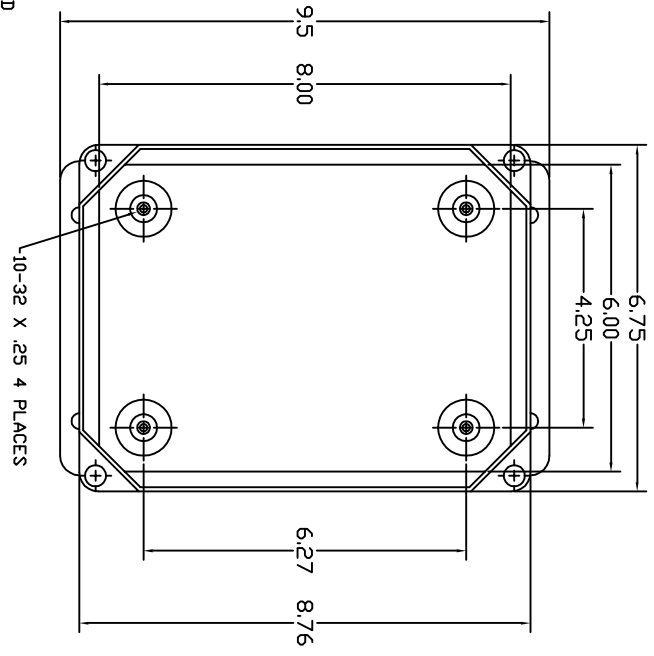
FRONT VIEW



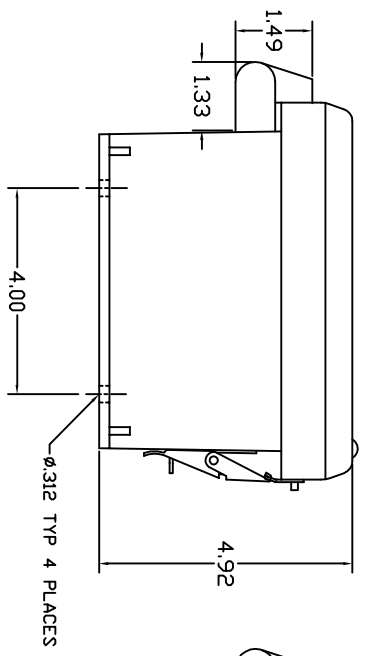
RIGHT SIDE VIEW



FRONT VIEW COVER REMOVED

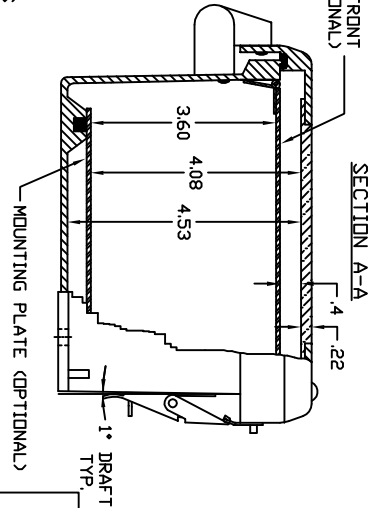


END VIEW



HINGED FRONT PANEL (OPTIONAL)

SECTION A-A



NOTES:

1. ENCLOSURE MATERIAL MADE OF GRAY (RAL 7036) HOT MOLDED FIBERGLASS REINFORCED POLYESTER.
2. U.L. LISTED PER STD. 508. (FILE# E54315)
3. CSA CERTIFIED PER STD. C22.2 NO. 94. (FILE# LR36508)
4. NEMA RATED TYPE 3, 3R, 3S, 4, 4X, 12 AND 13.
5. IEC 529 RATED IP 68.
6. TEMPERATURE RANGES FROM -50 DEG C TO 150 DEG C.
7. SELF EXTINGUISHING AND HALOGEN FREE.
8. ACCESSORIES INCLUDE: BACK PANELS, DEAD FRONT PANELS, HINGED FRONT PLATES, HINGED COVERS, PRINT POCKETS, LATCHES, WINDOWS, AND VENTILATORS.
9. CABINETS ARE MAINTENANCE FREE AND CORROSION RESISTANT.

UNLESS OTHERWISE SPECIFIED: DIMENSIONS ARE IN INCHES
 DECIMALS .02
 .XXX ± .010
 DO NOT SCALE DRAWING

DESIGN	CHECKED	DRAWN	DATE
	KEITH CHAPMAN	KEITH CHAPMAN	2/7/01

VYNCKIER ENCLOSURE SYSTEMS INC.		VJB806NH/WPL1-VJ SERIES ENCLOSURE	
SIZE	FSCM NO.	DWG NO.	REV
B		VJB806NH/WPL1	0
SCALE:	FULL		SHEET