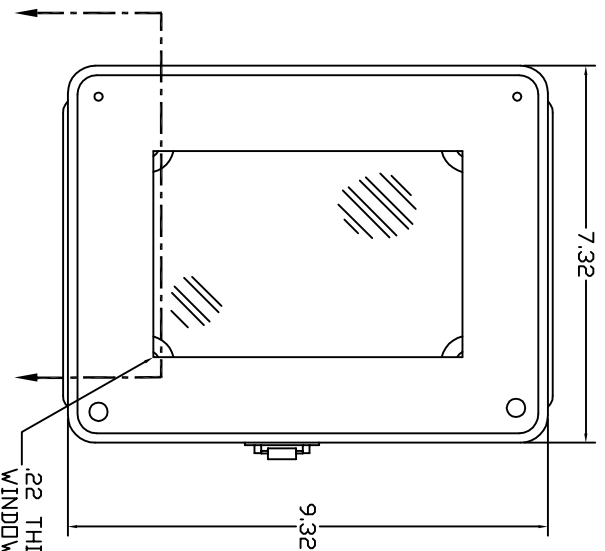
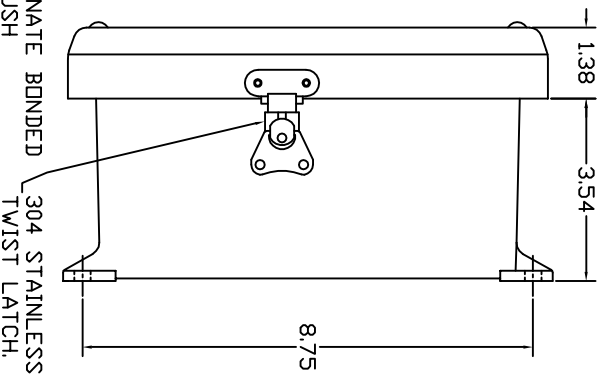


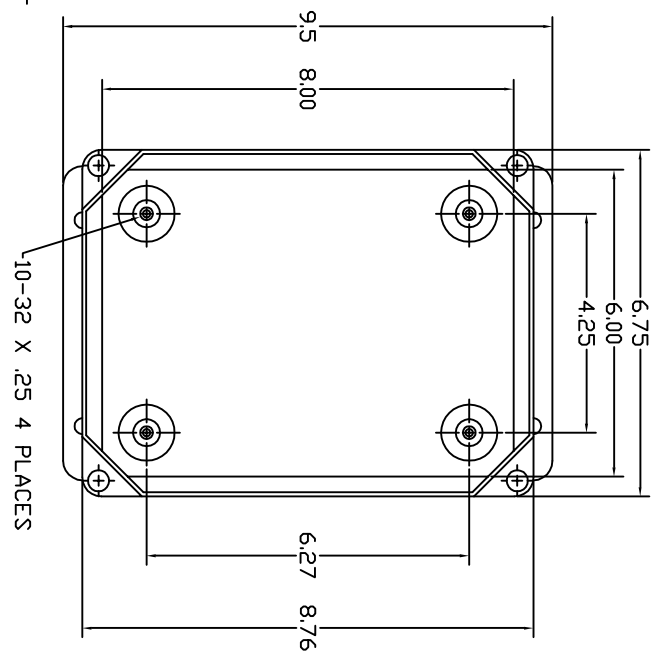
FRONT VIEW



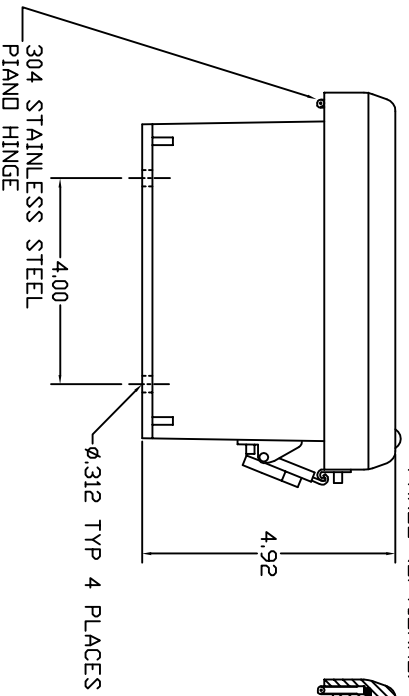
RIGHT SIDE VIEW



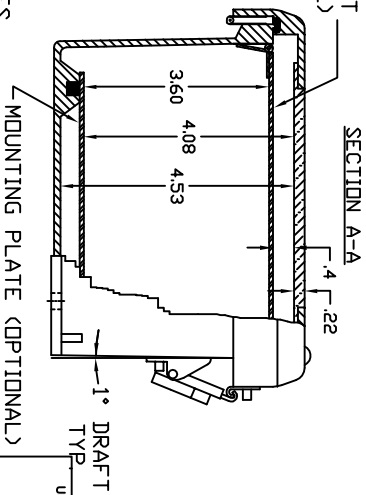
FRONT VIEW COVER REMOVED



END VIEW



SECTION A-A



NOTES:

1. ENCLOSURE MATERIAL MADE OF GRAY (RAL 7036) HOT MOLDED FIBERGLASS REINFORCED POLYESTER.
2. U.L. LISTED PER STD. 508. (FILE# E54315)
3. CSA CERTIFIED PER STD. C22.2 NO. 94. (FILE# LR36508)
4. NEMA RATED TYPE 3, 3R, 3S, 4, 4X, 12 AND 13.
5. IEC 529 RATED IP 68.
6. TEMPERATURE RANGES FROM -50 DEG C TO 150 DEG C.
7. SELF EXTINGUISHING AND HALOGEN FREE.
8. ACCESSORIES INCLUDE: BACK PANELS, DEAD FRONT PANELS, HINGED FRONT PLATES, HINGED COVERS, PRINT POCKETS, LATCHES, WINDOWS, AND VENTILATORS.
9. CABINETS ARE MAINTENANCE FREE AND CORROSION RESISTANT.

UNLESS OTHERWISE SPECIFIED:  
DIMENSIONS ARE IN INCHES  
DECIMALS  
.XX ± .02  
.XXX ± .010  
DO NOT SCALE DRAWING

THIS DRAWING IS THE CONFIDENTIAL AND PROPRIETARY PROPERTY OF VYNCKIER ENCLOSURE SYSTEMS AND SHALL NOT BE REPRODUCED OR DISCLOSED TO OTHERS EXCEPT BY EXPRESS WRITTEN PERMISSION OF VYNCKIER ENCLOSURE SYSTEMS INC.

DESIGN	CHECKED	DATE	SCALE: FULL	SHEET
KEITH CHAPMAN	2/7/01			
VJB806HWLL1-VJ SERIES ENCLOSURE VYNCKIER ENCLOSURE SYSTEMS INC.				
SIZE	FSCM NO.	DWG NO.	REV	
B		VJB806HWLL1	0	