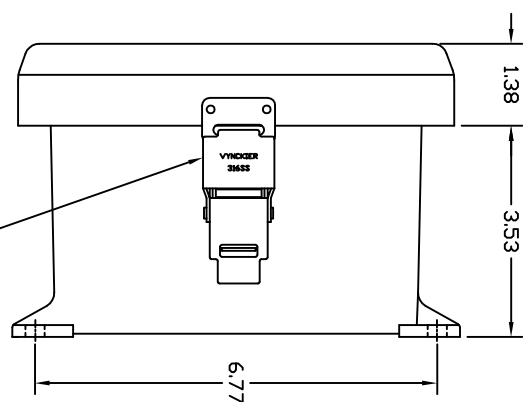
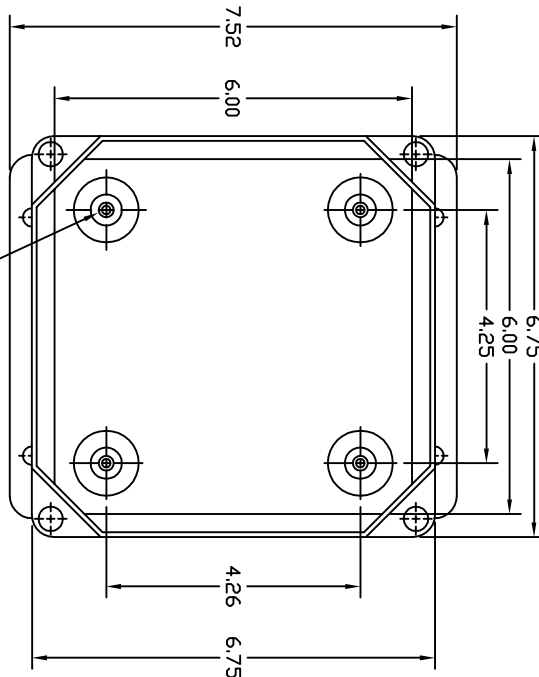


FRONT VIEW

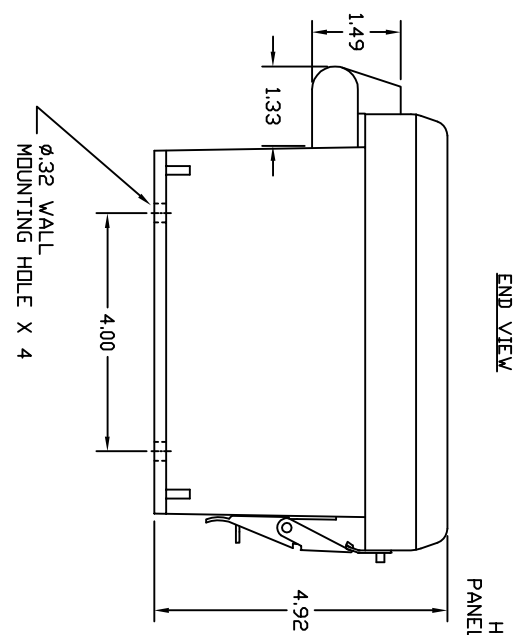


RIGHT SIDE VIEW

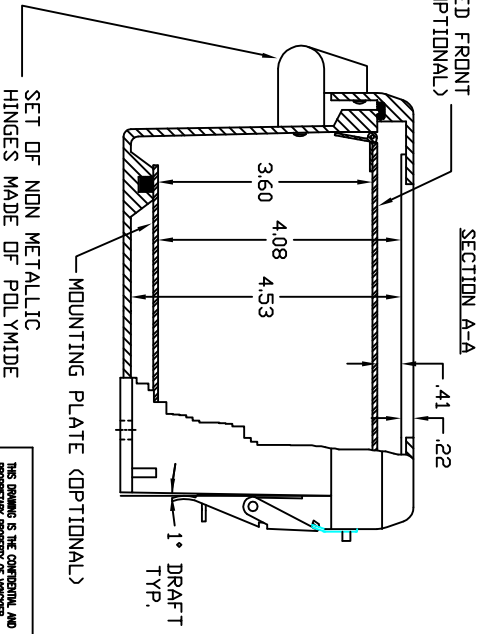


FRONT VIEW COVER REMOVED

220 THICK POLYCARBONATE BONDED WINDOW, FLUSH MOUNTED
 316 STAINLESS STEEL PADLOCK LATCH ATTACHED WITH RIVETS; Ø.375 PADLOCK EYE



END VIEW



HINGED FRONT PANEL (OPTIONAL)

SECTION A-A

SET OF NON METALLIC HINGES MADE OF POLYIMIDE

MOUNTING PLATE (OPTIONAL)

Ø.32 WALL MOUNTING HOLE X 4

- NOTES:
- ENCLOSURE MATERIAL MADE OF GRAY (RAL 7036) HOT MOLDED FIBERGLASS REINFORCED POLYESTER.
 - UL LISTED PER STD. 508, FILE# ES4315)
 - CSA CERTIFIED PER STD. C22.2 NO. 94, FILE# LR36508)
 - NEMA RATED TYPE 3, 3R, 3S, 4, 4X, 12 AND 13.
 - IEC 529 RATED IP 68.
 - TEMPERATURE RANGES FROM -50 DEG C TO 150 DEG C.
 - SELF EXTINGUISHING AND HALOGEN FREE.
 - ACCESSORIES INCLUDE: BACK PANELS, DEAD FRONT PANELS, HINGED FRONT PLATES, HINGED COVERS, PRINT POCKETS, LATCHES, WINDOWS, AND VENTILATORS.
 - CABINETS ARE MAINTENANCE FREE AND CORROSION RESISTANT.

THE DRAWING IS THE PROPRIETARY AND CONFIDENTIAL PROPERTY OF VYNCKIER ENCLOSURE SYSTEMS, AND SHALL NOT BE REPRODUCED OR ISSUED TO OTHERS WITHOUT THE WRITTEN PERMISSION OF VYNCKIER ENCLOSURE SYSTEMS INC.

DIMENSIONS GIVEN IN INCHES DIMENSIONS ARE IN INCHES DECIMALS .000 # .010 .000 # .010 DO NOT SCALE DRAWING		VYNCKIER ENCLOSURE SYSTEMS LTD.	
DRAWN KEITH CHAPMAN	DATE 02/05/01	VJ SERIES ENCLOSURE VYNCKIER PART # VJB606NH/W/PL1	REV
CHECKED DESIGN	SCALE FULL	DWG NO. VJB606NH/W/PL1	SHEET