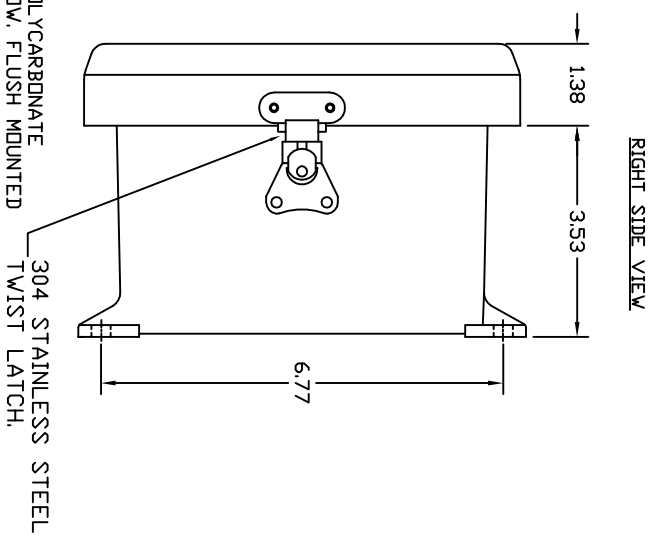
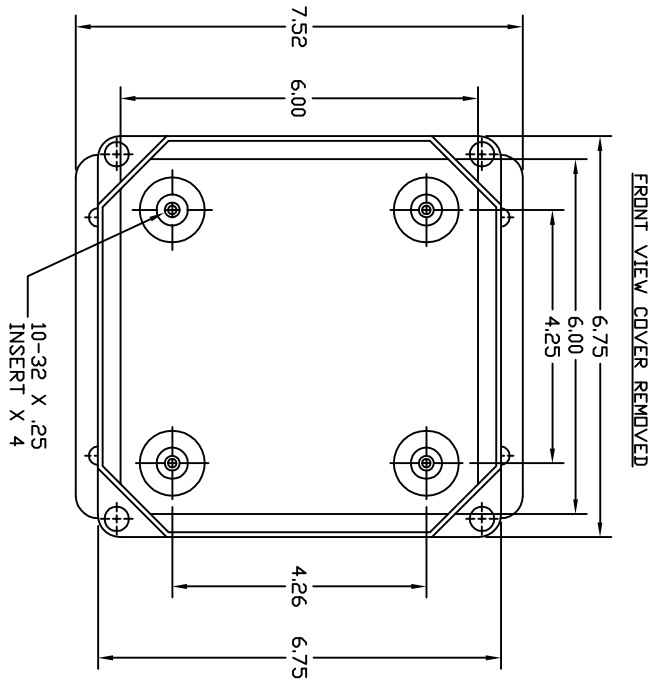


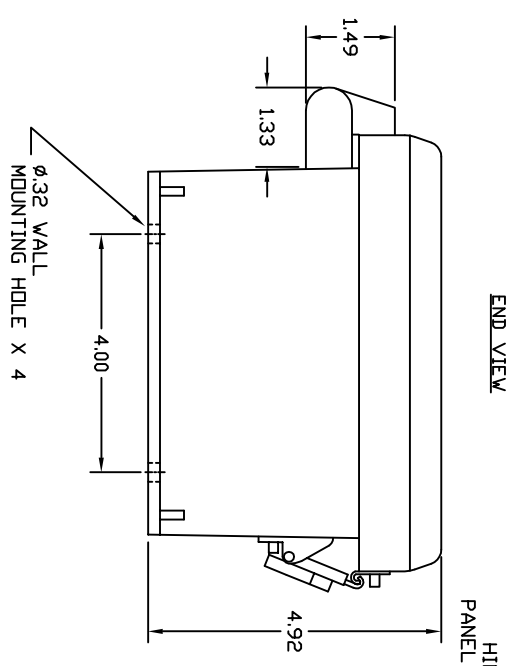
FRONT VIEW



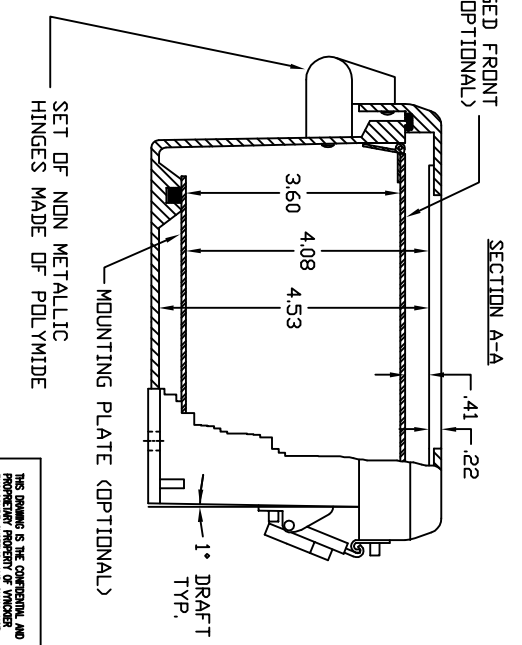
RIGHT SIDE VIEW



FRONT VIEW COVER REMOVED



END VIEW



HINGED FRONT PANEL (OPTIONAL)

SECTION A-A

SET OF NON METALLIC HINGES MADE OF POLYIMIDE

- NOTES:
- ENCLOSURE MATERIAL MADE OF GRAY (RAL 7036) HOT MOLDED FIBERGLASS REINFORCED POLYESTER.
  - UL LISTED PER STD. 508, FILE# E54315)
  - CSA CERTIFIED PER STD. C22.2 NO. 94, FILE# LR36508)
  - NEMA RATED TYPE 3, 3R, 3S, 4, 4X, 12 AND 13.
  - IEC 529 RATED IP 68.
  - TEMPERATURE RANGES FROM -50 DEG C TO 150 DEG C.
  - SELF EXTINGUISHING AND HALOGEN FREE.
  - ACCESSORIES INCLUDE: BACK PANELS, DEAD FRONT PANELS, HINGED FRONT PLATES, HINGED COVERS, PRINT POCKETS, LATCHES, WINDOWS, AND VENTILATORS.
  - CABINETS ARE MAINTENANCE FREE AND CORROSION RESISTANT.

THE DRAWING IS THE PROPRIETARY AND CONFIDENTIAL PROPERTY OF VYNCKIER ENCLOSURE SYSTEMS AND SHALL NOT BE REPRODUCED OR DISCLOSED TO OTHERS WITHOUT THE WRITTEN PERMISSION OF VYNCKIER ENCLOSURE SYSTEMS INC.

UNLESS OTHERWISE SPECIFIED: DIMENSIONS ARE IN INCHES DECIMALS TO 0.0025 TOLERANCES .000 ± .010 .001 ± .010 .002 ± .010 .005 ± .010 .010 ± .010 .015 ± .010 .020 ± .010 .030 ± .010 .040 ± .010 .050 ± .010 .060 ± .010 .070 ± .010 .080 ± .010 .090 ± .010 .100 ± .010 .125 ± .010 .150 ± .010 .175 ± .010 .200 ± .010 .250 ± .010 .300 ± .010 .375 ± .010 .450 ± .010 .500 ± .010 .625 ± .010 .750 ± .010 .875 ± .010 1.000 ± .010 1.250 ± .010 1.500 ± .010 1.750 ± .010 2.000 ± .010 2.500 ± .010 3.000 ± .010 3.500 ± .010 4.000 ± .010 4.500 ± .010 5.000 ± .010 5.500 ± .010 6.000 ± .010 6.500 ± .010 7.000 ± .010 7.500 ± .010 8.000 ± .010 8.500 ± .010 9.000 ± .010 9.500 ± .010 10.000 ± .010		VYNCKIER ENCLOSURE SYSTEMS LTD.	
DRAWN KEITH CHAPMAN		DATE 02/09/01	
CHECKED KEITH CHAPMAN		VJ SERIES ENCLOSURE VYNCKIER PART# VJB606NHVLL1	
DESIGN KEITH CHAPMAN		SCALE: FULL	
SIZE B		DWG NO. VJB606NHVLL1	
SHEET 1		REV 1	