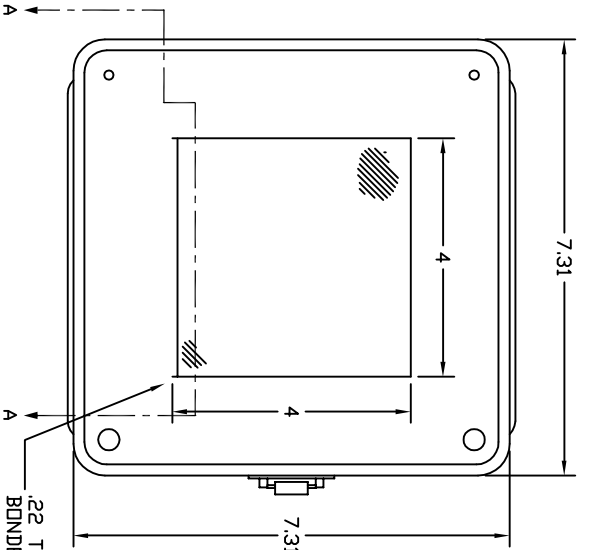
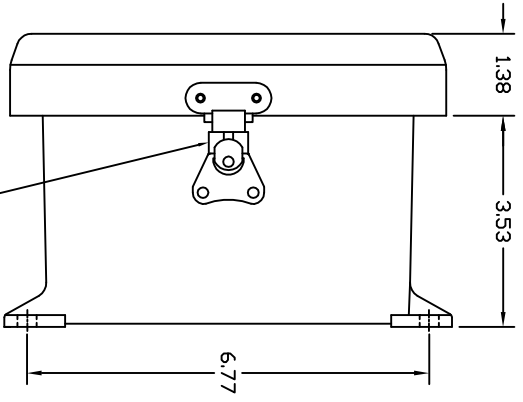


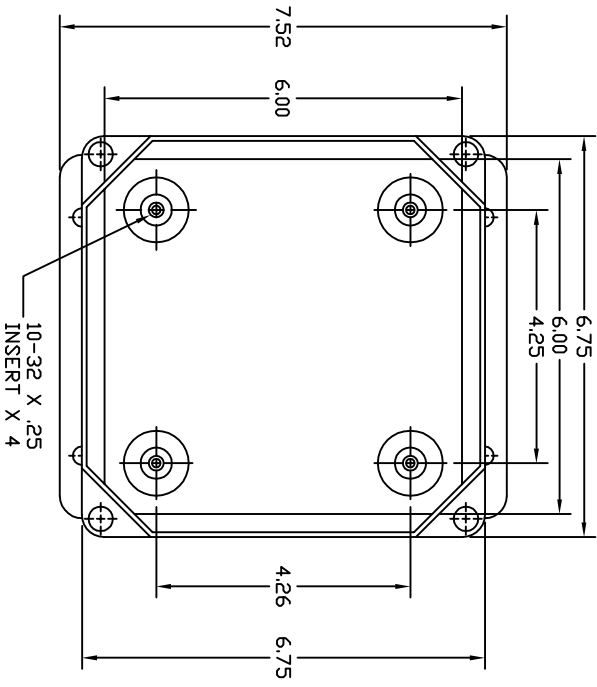
FRONT VIEW



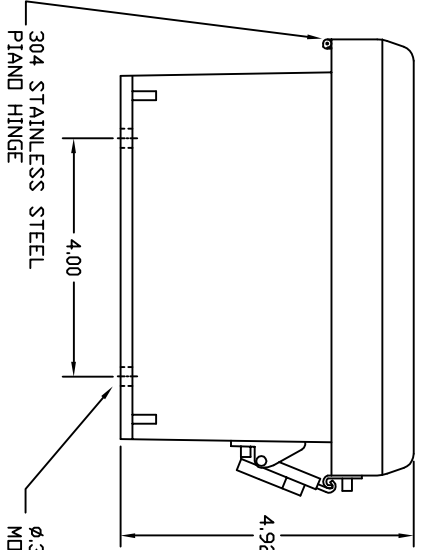
RIGHT SIDE VIEW



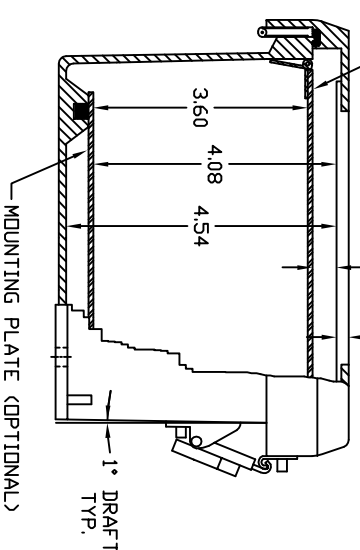
FRONT VIEW COVER REMOVED



END VIEW



SECTION A-A



- NOTES:
1. ENCLOSURE MATERIAL MADE OF GRAY (RAL 7036) HOT MOLDED FIBERGLASS REINFORCED POLYESTER.
 2. UL LISTED PER STD. 508, FILE# E54315)
 3. CSA CERTIFIED PER STD. C22.2 NO. 94, FILE# LR36508)
 4. NEMA RATED TYPE 3, 3R, 3S, 4, 4X, 12 AND 13.
 5. IEC 529 RATED IP 68.
 6. TEMPERATURE RANGES FROM -50 DEG C TO 150 DEG C.
 7. SELF EXTINGUISHING AND HALOGEN FREE.
 8. ACCESSORIES INCLUDE: BACK PANELS, DEAD FRONT PANELS, HINGED FRONT PLATES, HINGED COVERS, PRINT POCKETS, LATCHES, WINDOWS, AND VENTILATORS.
 9. CABINETS ARE MAINTENANCE FREE AND CORROSION RESISTANT.

THIS DRAWING IS THE PROPRIETARY AND CONFIDENTIAL PROPERTY OF VYNCKIER ENCLOSURE SYSTEMS, AND SHALL NOT BE REPRODUCED OR DISCLOSED TO OTHERS WITHOUT THE WRITTEN PERMISSION OF VYNCKIER ENCLOSURE SYSTEMS INC.

UNLESS OTHERWISE SPECIFIED: DIMENSIONS ARE IN INCHES DECIMALS TO 02 TOLERANCES .000 & .010 .000 & .010 DO NOT SCALE DRAWING		VYNCKIER ENCLOSURE SYSTEMS LTD.	
DRAWN KEITH CHAPMAN	DATE 02/09/01	VJ SERIES ENCLOSURE VYNCKIER PART# VJB606HWLL1	VYNCKIER ENCLOSURE SYSTEMS LTD.
CHECKED DESIGN	SCALE FULL	DWG NO. VJB606HWLL1	REV SHEET