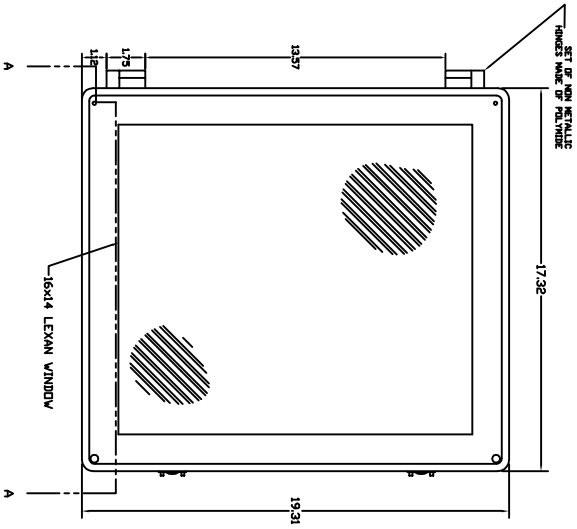
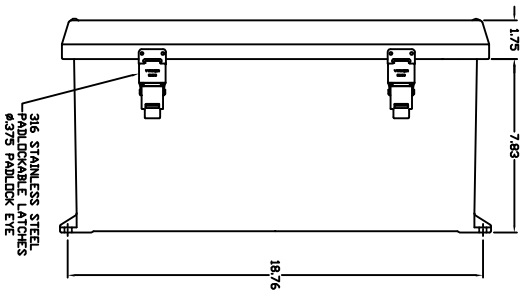


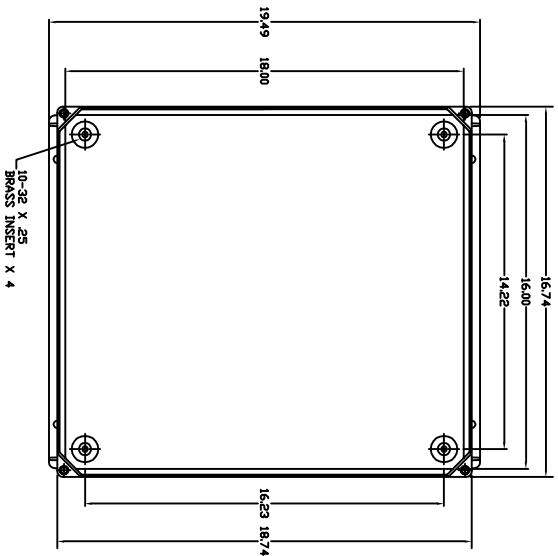
FRONT VIEW



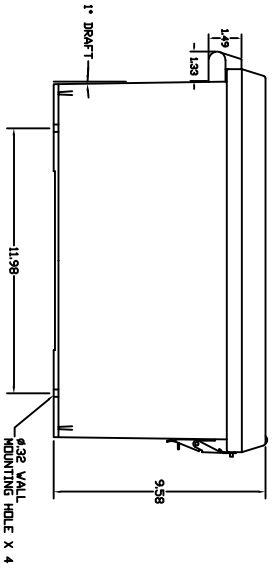
RIGHT SIDE VIEW



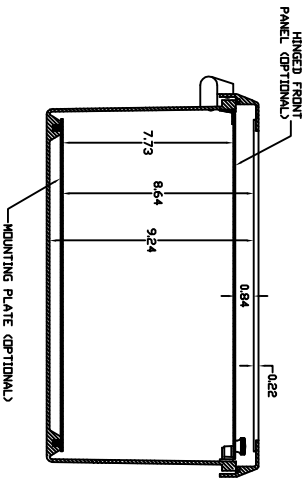
FRONT VIEW-COVER REMOVED



END VIEW



SECTION A-A



- NOTES:
- ENCLOSURE MATERIAL MADE OF GRAY (RAL 7036) HOT MOLDED FIBERGLASS REINFORCED POLYESTER.
 - UL LISTED PER STD. 508. (FILE# E54315)
 - CSA CERTIFIED PER STD. C22.2 NO. 94. (FILE# LR65089)
 - NEHA RATED TYPE 3, 3R, 3S, 4, 4X1E AND I3.
 - TEMPERATURE RANGES FROM -50 DEG. C TO 150 DEG. C.
 - TEMPERATURE RANGES FROM -50 DEG. C TO 150 DEG. C.
 - SELF EXTINGUISHING AND HALOGEN FREE.
 - ACCESSORIES INCLUDE: BACK PANELS, DEAD FRONT PANELS, HINGED FRONT PLATES, HINGED COVERS, PRINT POCKETS, LATCHES, WINDOWS, AND VENTILATORS.
 - CABINETS ARE MAINTENANCE FREE AND CORROSION RESISTANT.

UNLESS OTHERWISE SPECIFIED DIMENSIONS ARE IN INCHES DECIMALS TO THIRDS FRACTIONS TO SIXTEENTHS DIMENSIONS IN PARENTHESES ARE FOR INFORMATION ONLY		DRAWN BY: J. J. JONES CHECKED BY: J. J. JONES DATE: 2/10/01	
VYNCKLIER ENCLOSURE SYSTEMS INC.		VYNCKLIER PART # VJ81816NHVPL2	
DESIGNED BY: J. J. JONES CHECKED BY: J. J. JONES DATE: 2/10/01	SIZE: D SCALE: FULL	DWG NO: VJ81816NHVPL2 SHEET NO: 0	REV: 0