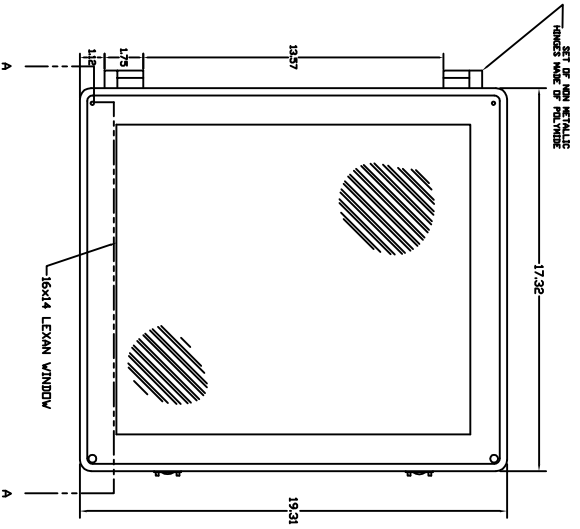
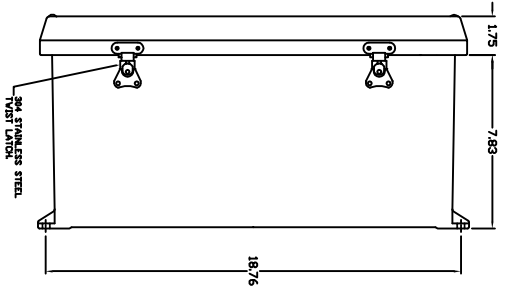


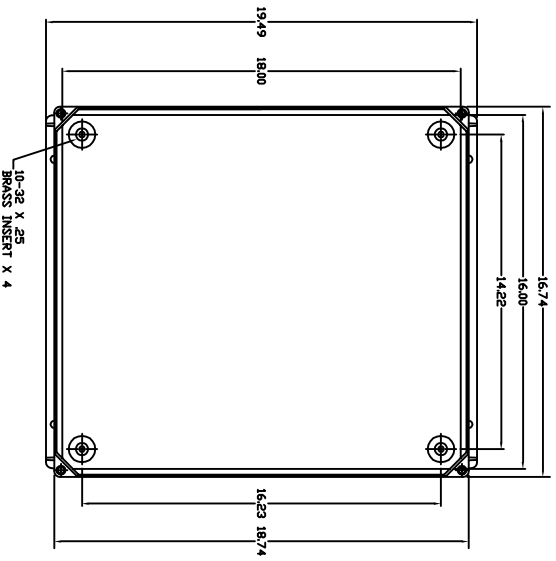
FRONT VIEW



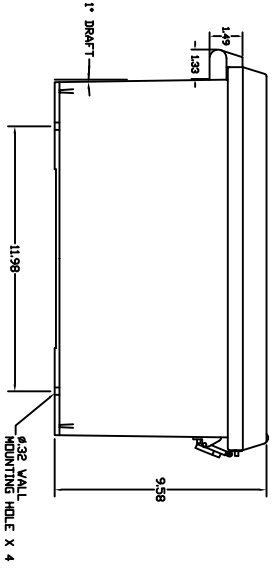
RIGHT SIDE VIEW



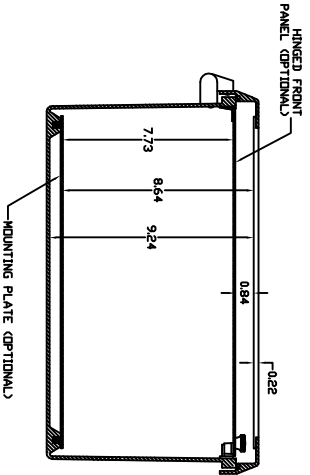
FRONT VIEW-COVER REMOVED



END VIEW



SECTION A-A



- NOTES:
1. ENCLOSURE MATERIAL MADE OF GRAY (RAL 7036) HOT MOLDED FIBERGLASS REINFORCED POLYESTER.
  2. UL LISTED PER STD. 508. (FILE# E54315)
  3. CSA CERTIFIED PER STD. C222. NO. 94. (FILE# LR65508)
  4. NEHA RATED TYPE 3, 3R, 3S, 4, 4X1E AND I3.
  5. TEMPERA THREE RANGES FROM -50 DEG. C TO 150 DEG. C.
  6. SELF EXTINGUISHING AND HALOGEN FREE.
  7. ACCESSORIES INCLUDE: BACK PANELS, DEAD FRONT PANELS, HINGED FRONT PLATES, HINGED COVERS, PRINT POCKETS, LATCHES, WINDOWS, AND VENTILATORS.
  8. CABINETS ARE MAINTENANCE FREE AND CORROSION RESISTANT.

UNLESS OTHERWISE SPECIFIED DIMENSIONS ARE IN MILLIMETERS DECIMAL EQUIVALENTS 1/16" = 1.5875 1/8" = 3.175 1/4" = 6.35 3/8" = 9.525 1/2" = 12.7 5/8" = 15.875 3/4" = 19.05 7/8" = 22.225 1" = 25.4 1 1/8" = 29.575 1 1/4" = 31.75 1 3/8" = 34.925 1 1/2" = 38.1 1 5/8" = 41.275 1 3/4" = 44.45 1 7/8" = 47.625 2" = 50.8 2 1/8" = 54.975 2 1/4" = 57.15 2 3/8" = 60.325 2 1/2" = 63.5 2 5/8" = 66.675 2 3/4" = 69.85 2 7/8" = 73.025 3" = 76.2 3 1/8" = 79.375 3 1/4" = 82.55 3 3/8" = 85.725 3 1/2" = 88.9 3 5/8" = 92.075 3 3/4" = 95.25 3 7/8" = 98.425 4" = 101.6 4 1/8" = 104.775 4 1/4" = 107.95 4 3/8" = 111.125 4 1/2" = 114.3 4 5/8" = 117.475 4 3/4" = 120.65 4 7/8" = 123.825 5" = 127 5 1/8" = 130.175 5 1/4" = 133.35 5 3/8" = 136.525 5 1/2" = 139.7 5 5/8" = 142.875 5 3/4" = 146.05 5 7/8" = 149.225 6" = 152.4 6 1/8" = 155.575 6 1/4" = 158.75 6 3/8" = 161.925 6 1/2" = 165.1 6 5/8" = 168.275 6 3/4" = 171.45 6 7/8" = 174.625 7" = 177.8 7 1/8" = 180.975 7 1/4" = 184.15 7 3/8" = 187.325 7 1/2" = 190.5 7 5/8" = 193.675 7 3/4" = 196.85 7 7/8" = 199.925 8" = 203.2 8 1/8" = 206.375 8 1/4" = 209.55 8 3/8" = 212.725 8 1/2" = 215.9 8 5/8" = 219.075 8 3/4" = 222.25 8 7/8" = 225.425 9" = 228.6 9 1/8" = 231.775 9 1/4" = 234.95 9 3/8" = 238.125 9 1/2" = 241.3 9 5/8" = 244.475 9 3/4" = 247.65 9 7/8" = 250.825 10" = 254 10 1/8" = 257.175 10 1/4" = 260.35 10 3/8" = 263.525 10 1/2" = 266.7 10 5/8" = 269.875 10 3/4" = 273.05 10 7/8" = 276.225 11" = 279.4 11 1/8" = 282.575 11 1/4" = 285.75 11 3/8" = 288.925 11 1/2" = 292.1 11 5/8" = 295.275 11 3/4" = 298.45 11 7/8" = 301.625 12" = 304.8 12 1/8" = 307.975 12 1/4" = 311.15 12 3/8" = 314.325 12 1/2" = 317.5 12 5/8" = 320.675 12 3/4" = 323.85 12 7/8" = 327.025 13" = 330.4 13 1/8" = 333.575 13 1/4" = 336.75 13 3/8" = 339.925 13 1/2" = 343.1 13 5/8" = 346.275 13 3/4" = 349.45 13 7/8" = 352.625 14" = 355.6 14 1/8" = 358.775 14 1/4" = 361.95 14 3/8" = 365.125 14 1/2" = 368.3 14 5/8" = 371.475 14 3/4" = 374.65 14 7/8" = 377.825 15" = 381 15 1/8" = 384.175 15 1/4" = 387.35 15 3/8" = 390.525 15 1/2" = 393.7 15 5/8" = 396.875 15 3/4" = 400.05 15 7/8" = 403.225 16" = 406.4 16 1/8" = 409.575 16 1/4" = 412.75 16 3/8" = 415.925 16 1/2" = 419.1 16 5/8" = 422.275 16 3/4" = 425.45 16 7/8" = 428.625 17" = 431.6 17 1/8" = 434.775 17 1/4" = 437.95 17 3/8" = 441.125 17 1/2" = 444.3 17 5/8" = 447.475 17 3/4" = 450.65 17 7/8" = 453.825 18" = 457 18 1/8" = 460.175 18 1/4" = 463.35 18 3/8" = 466.525 18 1/2" = 469.7 18 5/8" = 472.875 18 3/4" = 476.05 18 7/8" = 479.225 19" = 482.4 19 1/8" = 485.575 19 1/4" = 488.75 19 3/8" = 491.925 19 1/2" = 495.1 19 5/8" = 498.275 19 3/4" = 501.45 19 7/8" = 504.625 20" = 508 20 1/8" = 511.175 20 1/4" = 514.35 20 3/8" = 517.525 20 1/2" = 520.7 20 5/8" = 523.875 20 3/4" = 527.05 20 7/8" = 530.225 21" = 533.4 21 1/8" = 536.575 21 1/4" = 539.75 21 3/8" = 542.925 21 1/2" = 546.1 21 5/8" = 549.275 21 3/4" = 552.45 21 7/8" = 555.625 22" = 558.8 22 1/8" = 561.975 22 1/4" = 565.15 22 3/8" = 568.325 22 1/2" = 571.5 22 5/8" = 574.675 22 3/4" = 577.85 22 7/8" = 581.025 23" = 584.2 23 1/8" = 587.375 23 1/4" = 590.55 23 3/8" = 593.725 23 1/2" = 596.9 23 5/8" = 600.075 23 3/4" = 603.25 23 7/8" = 606.425 24" = 609.6 24 1/8" = 612.775 24 1/4" = 615.95 24 3/8" = 619.125 24 1/2" = 622.3 24 5/8" = 625.475 24 3/4" = 628.65 24 7/8" = 631.825 25" = 635 25 1/8" = 638.175 25 1/4" = 641.35 25 3/8" = 644.525 25 1/2" = 647.7 25 5/8" = 650.875 25 3/4" = 654.05 25 7/8" = 657.225 26" = 660.4 26 1/8" = 663.575 26 1/4" = 666.75 26 3/8" = 669.925 26 1/2" = 673.1 26 5/8" = 676.275 26 3/4" = 679.45 26 7/8" = 682.625 27" = 685.8 27 1/8" = 688.975 27 1/4" = 692.15 27 3/8" = 695.325 27 1/2" = 698.5 27 5/8" = 701.675 27 3/4" = 704.85 27 7/8" = 708.025 28" = 711.2 28 1/8" = 714.375 28 1/4" = 717.55 28 3/8" = 720.725 28 1/2" = 723.9 28 5/8" = 727.075 28 3/4" = 730.25 28 7/8" = 733.425 29" = 736.6 29 1/8" = 739.775 29 1/4" = 742.95 29 3/8" = 746.125 29 1/2" = 749.3 29 5/8" = 752.475 29 3/4" = 755.65 29 7/8" = 758.825 30" = 762 30 1/8" = 765.175 30 1/4" = 768.35 30 3/8" = 771.525 30 1/2" = 774.7 30 5/8" = 777.875 30 3/4" = 781.05 30 7/8" = 784.225 31" = 787.4 31 1/8" = 790.575 31 1/4" = 793.75 31 3/8" = 796.925 31 1/2" = 800.1 31 5/8" = 803.275 31 3/4" = 806.45 31 7/8" = 809.625 32" = 812.8 32 1/8" = 815.975 32 1/4" = 819.15 32 3/8" = 822.325 32 1/2" = 825.5 32 5/8" = 828.675 32 3/4" = 831.85 32 7/8" = 835.025 33" = 838.2 33 1/8" = 841.375 33 1/4" = 844.55 33 3/8" = 847.725 33 1/2" = 850.9 33 5/8" = 854.075 33 3/4" = 857.25 33 7/8" = 860.425 34" = 863.6 34 1/8" = 866.775 34 1/4" = 869.95 34 3/8" = 873.125 34 1/2" = 876.3 34 5/8" = 879.475 34 3/4" = 882.65 34 7/8" = 885.825 35" = 889 35 1/8" = 892.175 35 1/4" = 895.35 35 3/8" = 898.525 35 1/2" = 901.7 35 5/8" = 904.875 35 3/4" = 908.05 35 7/8" = 911.225 36" = 914.4 36 1/8" = 917.575 36 1/4" = 920.75 36 3/8" = 923.925 36 1/2" = 927.1 36 5/8" = 930.275 36 3/4" = 933.45 36 7/8" = 936.625 37" = 939.8 37 1/8" = 942.975 37 1/4" = 946.15 37 3/8" = 949.325 37 1/2" = 952.5 37 5/8" = 955.675 37 3/4" = 958.85 37 7/8" = 962.025 38" = 965.2 38 1/8" = 968.375 38 1/4" = 971.55 38 3/8" = 974.725 38 1/2" = 977.9 38 5/8" = 981.075 38 3/4" = 984.25 38 7/8" = 987.425 39" = 990.6 39 1/8" = 993.775 39 1/4" = 996.95 39 3/8" = 1000.125 39 1/2" = 1003.3 39 5/8" = 1006.475 39 3/4" = 1009.65 39 7/8" = 1012.825 40" = 1016 40 1/8" = 1019.175 40 1/4" = 1022.35 40 3/8" = 1025.525 40 1/2" = 1028.7 40 5/8" = 1031.875 40 3/4" = 1035.05 40 7/8" = 1038.225 41" = 1041.4 41 1/8" = 1044.575 41 1/4" = 1047.75 41 3/8" = 1050.925 41 1/2" = 1054.1 41 5/8" = 1057.275 41 3/4" = 1060.45 41 7/8" = 1063.625 42" = 1066.8 42 1/8" = 1069.975 42 1/4" = 1073.15 42 3/8" = 1076.325 42 1/2" = 1079.5 42 5/8" = 1082.675 42 3/4" = 1085.85 42 7/8" = 1089.025 43" = 1092.2 43 1/8" = 1095.375 43 1/4" = 1098.55 43 3/8" = 1101.725 43 1/2" = 1104.9 43 5/8" = 1108.075 43 3/4" = 1111.25 43 7/8" = 1114.425 44" = 1117.6 44 1/8" = 1120.775 44 1/4" = 1123.95 44 3/8" = 1127.125 44 1/2" = 1130.3 44 5/8" = 1133.475 44 3/4" = 1136.65 44 7/8" = 1139.825 45" = 1143 45 1/8" = 1146.175 45 1/4" = 1149.35 45 3/8" = 1152.525 45 1/2" = 1155.7 45 5/8" = 1158.875 45 3/4" = 1162.05 45 7/8" = 1165.225 46" = 1168.4 46 1/8" = 1171.575 46 1/4" = 1174.75 46 3/8" = 1177.925 46 1/2" = 1181.1 46 5/8" = 1184.275 46 3/4" = 1187.45 46 7/8" = 1190.625 47" = 1193.8 47 1/8" = 1196.975 47 1/4" = 1200.15 47 3/8" = 1203.325 47 1/2" = 1206.5 47 5/8" = 1209.675 47 3/4" = 1212.85 47 7/8" = 1216.025 48" = 1219.2 48 1/8" = 1222.375 48 1/4" = 1225.55 48 3/8" = 1228.725 48 1/2" = 1231.9 48 5/8" = 1235.075 48 3/4" = 1238.25 48 7/8" = 1241.425 49" = 1244.6 49 1/8" = 1247.775 49 1/4" = 1250.95 49 3/8" = 1254.125 49 1/2" = 1257.3 49 5/8" = 1260.475 49 3/4" = 1263.65 49 7/8" = 1266.825 50" = 1270		DRAWN: [ ] CHECKED: [ ] DESIGN: [ ]	DATE: 2/16/01 VYNCICKER PART # VJ1816NHMLL2 VYNCICKER SYSTEMS INC. SCALE: FULL SHEET: 0
---	--	---	---