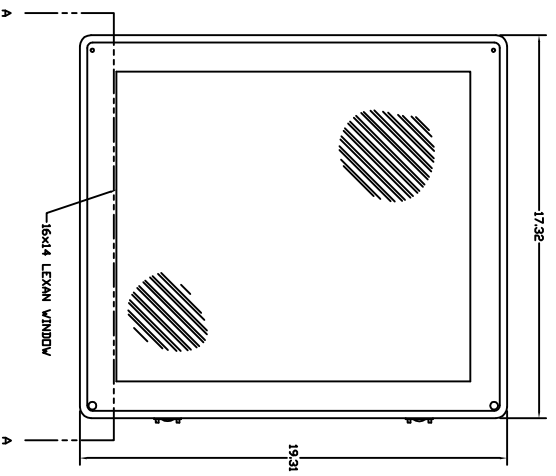
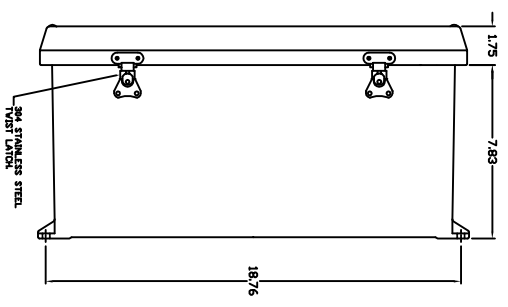


REVISIONS				
ZONE	REV	DESCRIPTION	DATE	APPROVED

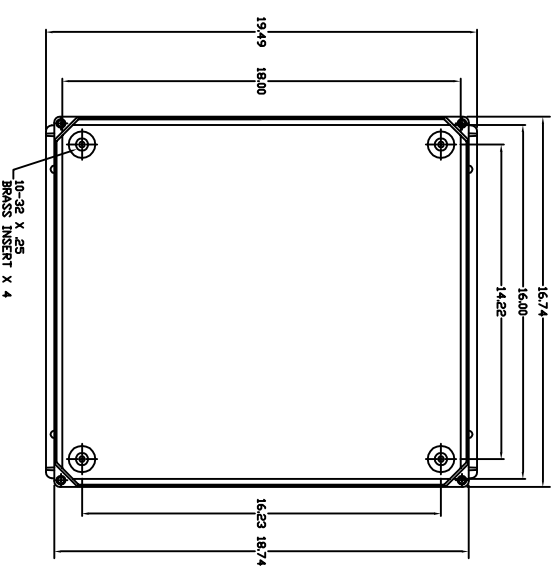
FRONT VIEW



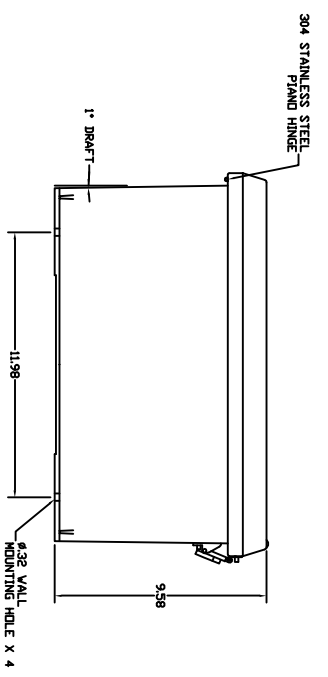
RIGHT SIDE VIEW



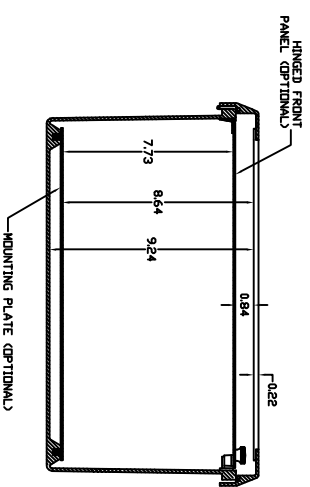
FRONT VIEW-COVER REMOVED



END VIEW



SECTION A-A



- NOTES:
- ENCLOSURE MATERIAL MADE OF GRAY (RAL 7036) HOT MOLDED FIBERGLASS REINFORCED POLYESTER.
 - UL LISTED PER STD. 508. (FILE# E54315)
 - CSA CERTIFIED PER STD. C222. NO. 94. (FILE# LR65089)
 - NEHA RATED TYPE 3, 3R, 3S, 4, 4X1E AND I3.
 - TEMPERATURE RANGES FROM -50 DEG. C TO 150 DEG. C.
 - SELF EXTINGUISHING AND HALOGEN FREE.
 - ACCESSORIES INCLUDE: BACK PANELS, DEAD FRONT PANELS, HINGED FRONT PLATES, HINGED COVERS, PRINT POCKETS, LATCHES, WINDOWS, AND VENTILATORS.
 - CABINETS ARE MAINTENANCE FREE AND CORROSION RESISTANT.

VYNCKIER
ENCLOSURE SYSTEMS INC.

UNLESS OTHERWISE SPECIFIED
DIMENSIONS ARE IN INCHES
DIMENSIONS IN PARENTHESES
ARE IN MILLIMETERS

DATE: 2/16/01
DRAWN: KEVIN O'BRIEN
CHECKED: [Signature]
DESIGN: [Signature]

YVYNCKIER PART# VJ181816HWLL2
SCALE: FULL

REV	0
DATE	
APP'D	
CHK'D	
DESIGN	